

287/289

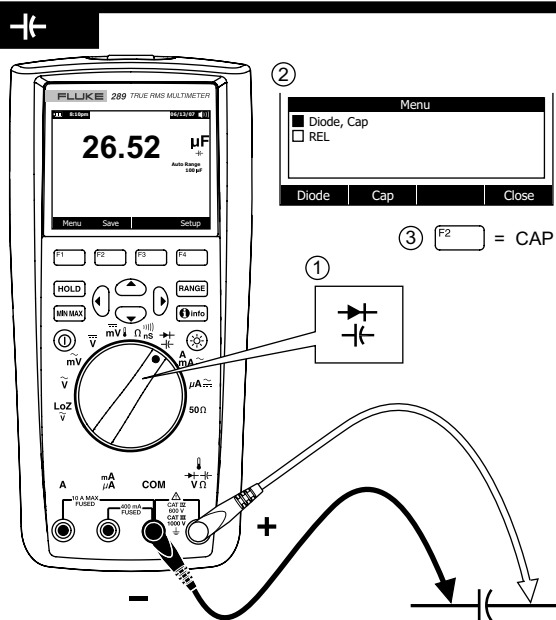
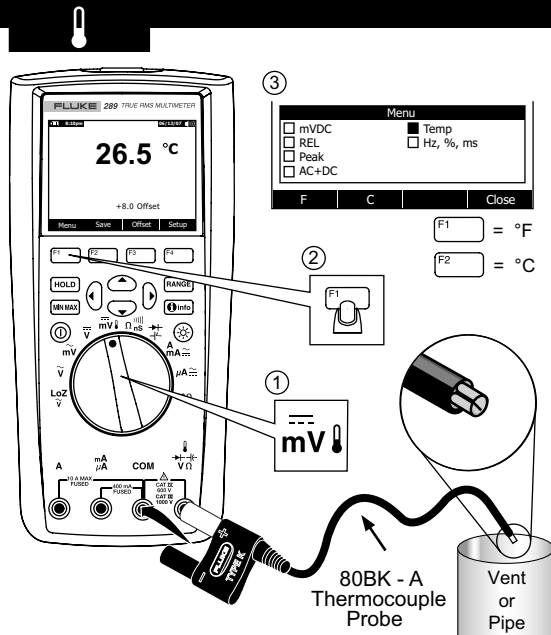
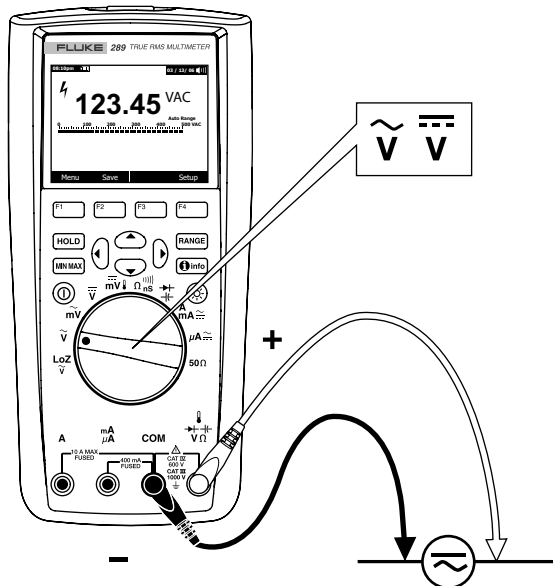
True-rms Digital Multimeters

Quick Reference Guide

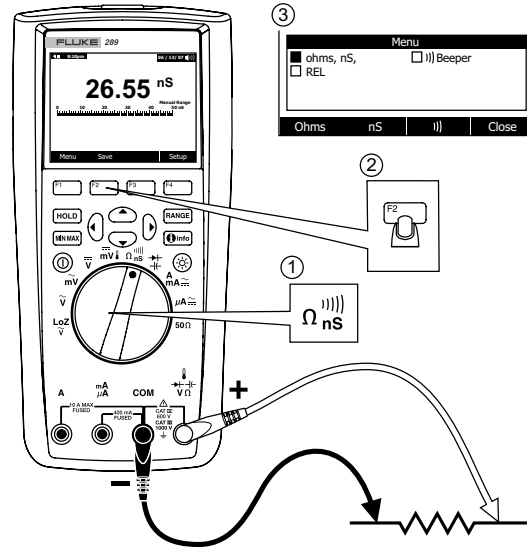
⚠ Warning

To prevent possible electrical shock, fire, or personal injury, read the "287/289 Safety Information" before you use this Product.

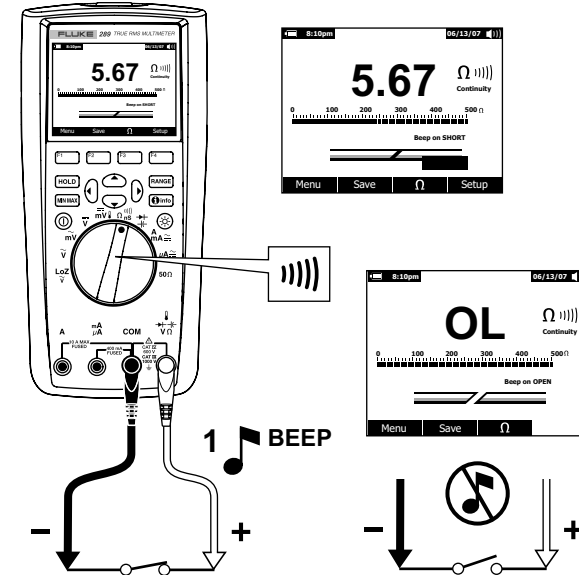
Go to www.fluke.com to register your product and find more information.



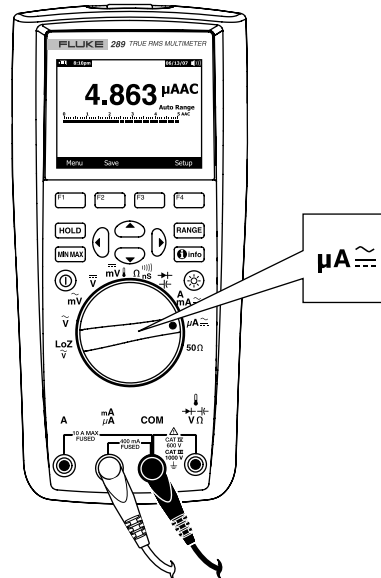
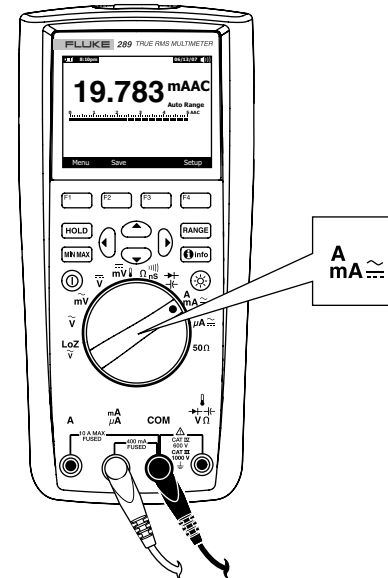
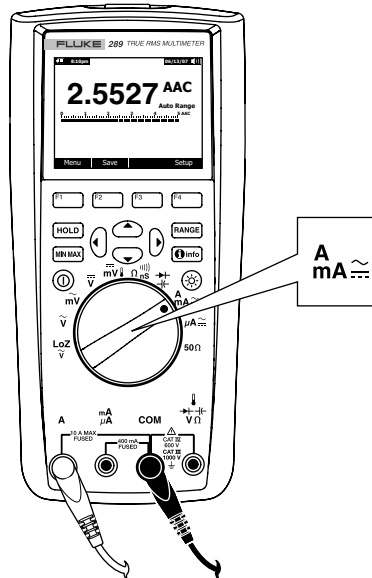
nS

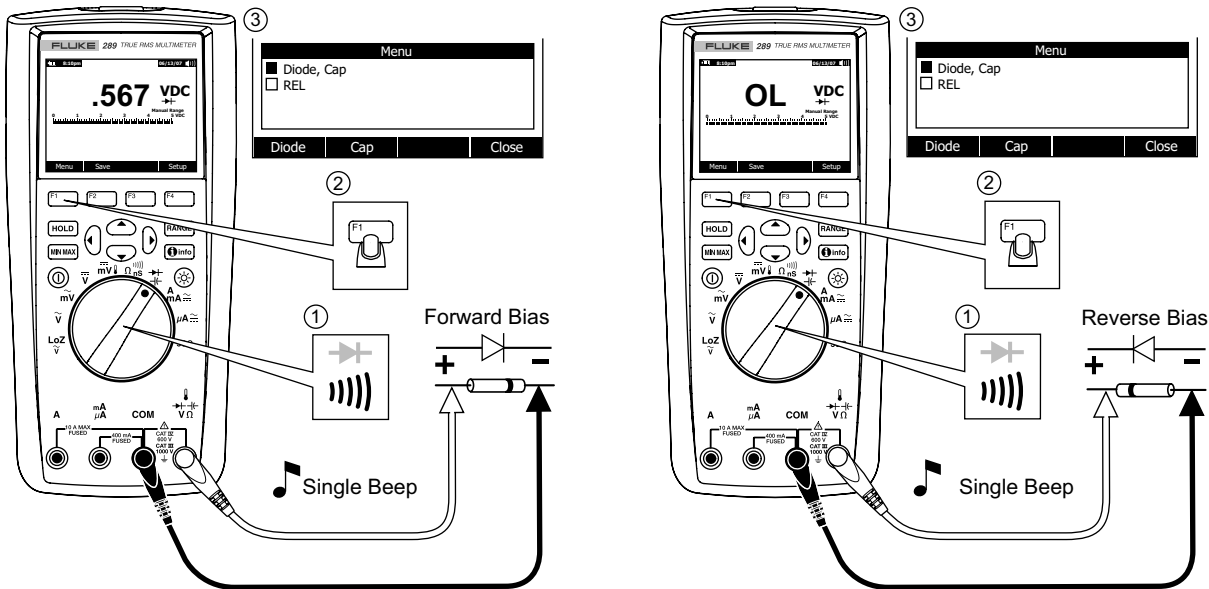


)))

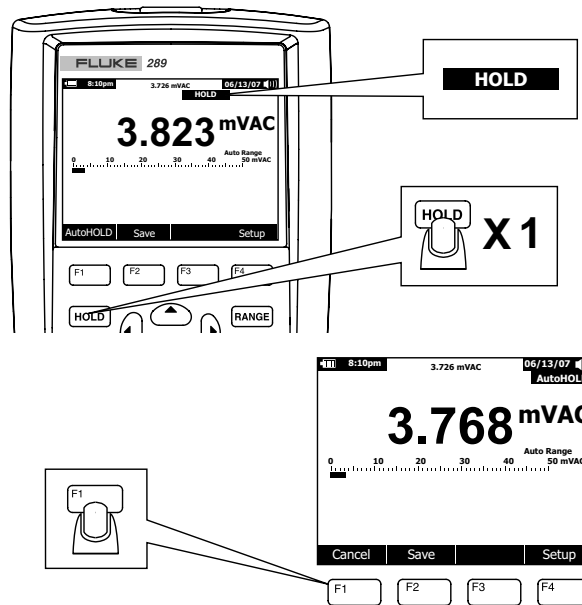


A mA μA

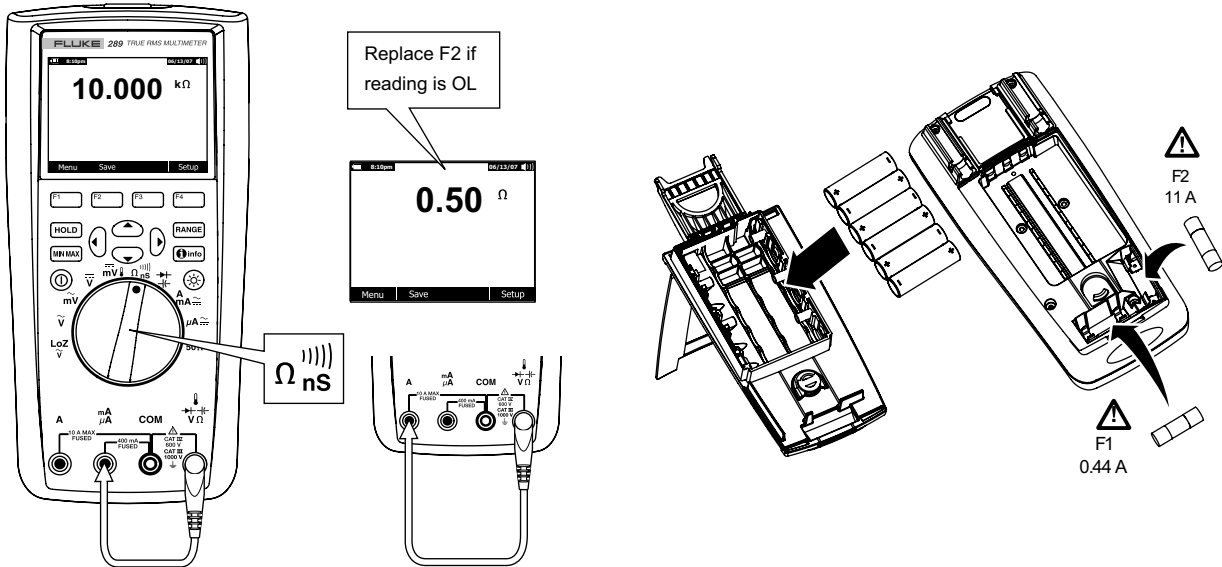
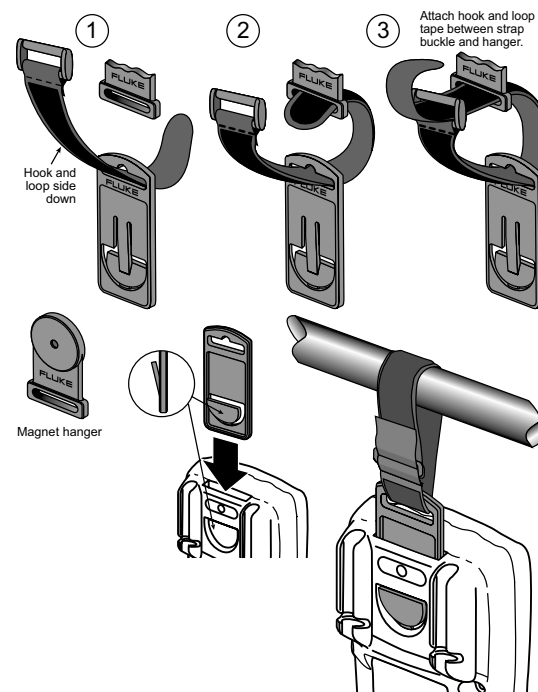




Hold/AutoHold



ToolPak



Info

