

Special Documentation

Mechanical accessories for pressure measuring devices

Pressure measurement



One point of contact saves time and cuts cost

Endress+Hauser offers you the complete service portfolio for pressure measurement, ranging from engineering, project management, measuring devices and accessories to pre-assembled solutions and attractive life cycle management.

Accessories:

- Manifolds, block & bleed valves, pressure gauge valves, shutoff devices
- Flushing rings
- Siphons
- Oval flange adapter
- Mounting bracket
- Condensate traps
- Cable shortening kits
- Test adapter
- Protective roofs

Your benefits

- A single supplier for the transmitter and accessories ensures that everything is delivered in one shipment and no parts are missing
- The transmitter and accessories match
- One central point of contact

Table of contents

DA63M block & bleed valve for Cerabar	3	Mounting bracket for Cerabar and Deltapilot	38
Use	3	Ordering information	38
FNPT x FNPT, milled	3	Test adapter for Waterpilot and Deltapilot	39
MNPT x FNPT, milled	5	Use	39
G ½" + adjusting nut, milled	7	Test adapter	39
DA63M 3-valve manifold for Deltabar	9	Calibration adapter ⁵/₁₆" - 24 UNF for Deltabar	40
Use	9	Use	40
Milled	9	Performing the calibration	40
Forged	11	Calibration adapter	40
DA63M 5-valve manifold for Deltabar	13	Cable shortening kit for Waterpilot and Deltapilot	41
Use	13	Use	41
Milled	13	Ordering information for Waterpilot	41
Forged	15	Ordering information for Deltapilot	41
Forged HT	17	Weather protection cover	42
PZAV: Pressure gauge valves for Cerabar and Ceraphant	20	Weather protection cover 316L	42
Pressure gauge valve without test connection according to DIN 16270	20	Plastic weather protection cover	43
Pressure gauge valve with test connection M20x1.5 according to DIN 16272	22	Welding flanges and weld-in adapters	43
PZO: Oval flange adapter for Deltabar	24	Flushing rings	44
Use	24	Overview	44
Technical data	24	Technical data	44
DA61V: Shutoff device for pipes	25	Ordering information	45
Use	25	Ordering information	46
Installation and commissioning	25	Supplementary documentation	46
Shutoff assembly with screw-in bonnet	25	Field of Activities	46
Shutoff assembly with integrated bonnet	26	Field of Activities	46
Shutoff assembly with integrated bonnet, high-temperature version	27		
PZW: Siphons for Cerabar and Ceraphant	28		
Overview	28		
Siphons - O-shaped	29		
U-shaped siphons	30		
DA61C: Condensate pot for steam applications	31		
Use	31		
Design	31		
Technical data	31		
Mounting bracket for DA63M	32		
Use	32		
Mounting bracket for block & bleed valve	32		
Mounting bracket for 3-valve and 5-valve manifold	33		
Mounting bracket for Deltabar	34		
Typical installation arrangements	34		
Standard version	36		
Heavy-duty version	37		

DA63M block & bleed valve for Cerabar

Use

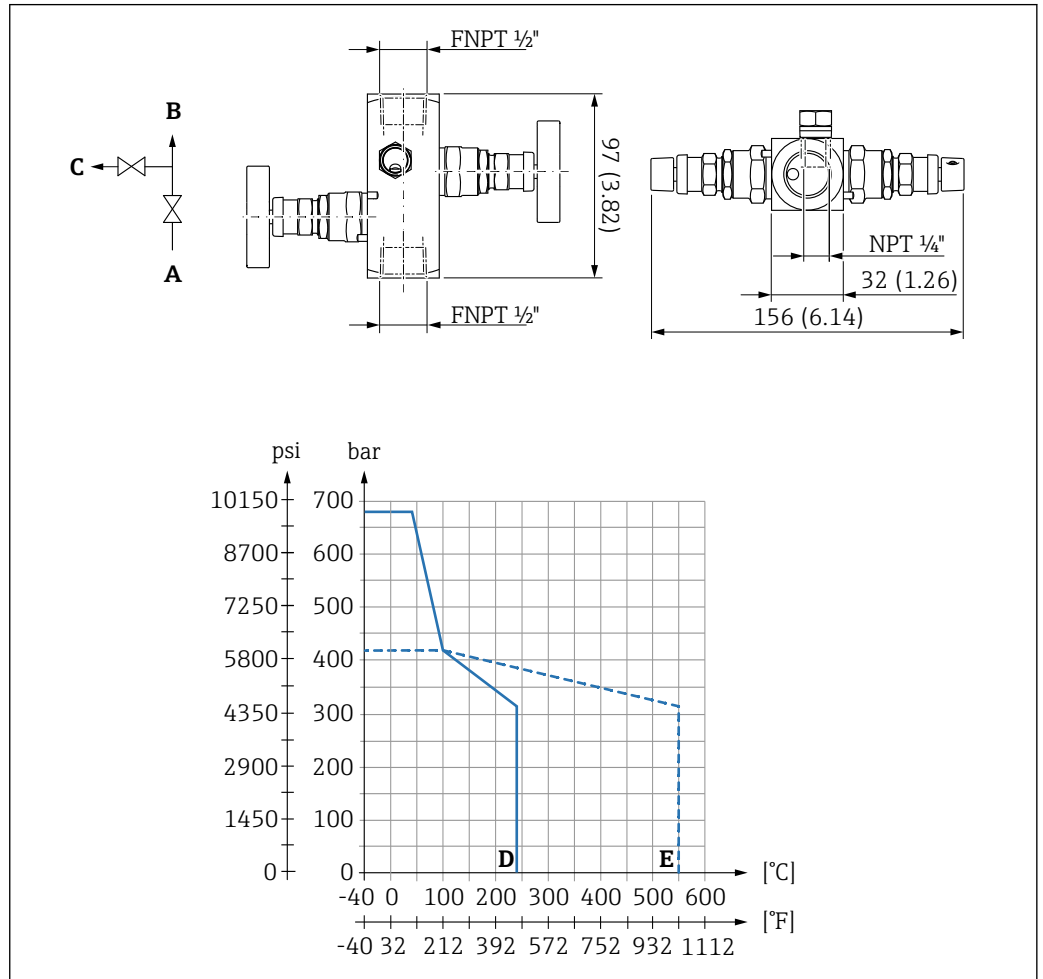
The valve is used to connect pressure gauges, pressure transmitters and pressure switches.



Use for:

- PMP51, PMC51, PMP71, PMC71
- PMP51B, PMC51B, PMP71B, PMC71B

FNPT x FNPT, milled



A0028016

Unit of measurement mm (in)

- A Process side (inlet)
- B Transmitter side (outlet)
- C Venting
- D PTFE packing
- E Pure graphite packing

Design and weight

- Process side (inlet): FNPT ½"
- Transmitter side (outlet): FNPT ½"
- Exhaust air vent: NPT ¼"
- Weight: 1 kg (2.21 lb)

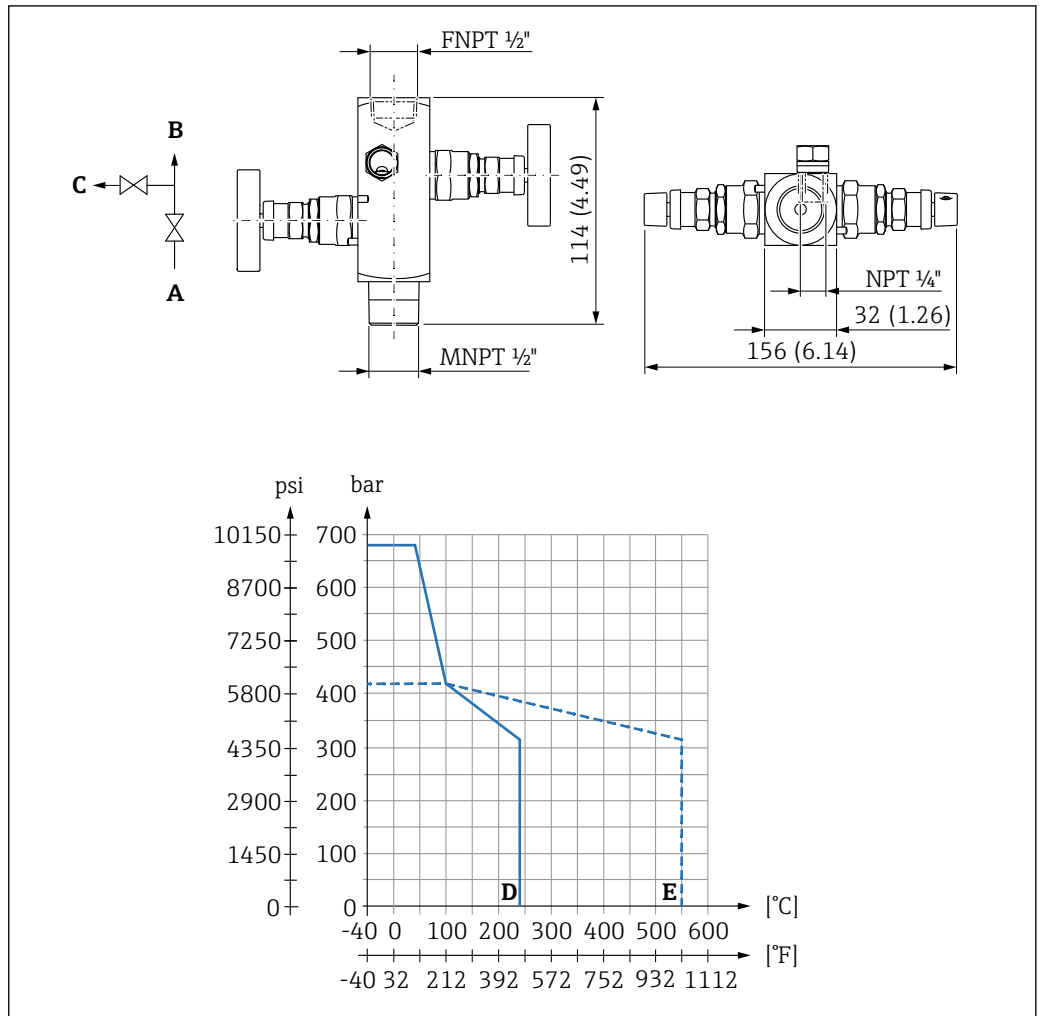
Materials and application

Select the corresponding option in the order codes in the Product Configurator.

Component part	"316L" ¹⁾	"Alloy C276" ²⁾
Housing	1.4404	2.4819
Protection cap	1.4404	2.4819
Locknut	1.4401	1.4401
Valve body	1.4404	1.4404
Gland nut	1.4401	1.4401
Packing ^{3) 4)}	PTFE up to +230 °C (+446 °F) Maximum 689 bar (10000 psi)	
	Pure graphite up to +550 °C (+1022 °F) Maximum 420 bar (6092 psi)	-
Certificates	EAC, CRN, NACE MR0175, NACE MR0103	

- 1) Product Configurator: DA63M order code "300", option "TB2"; PMP51, PMC51, PMP71, PMC71 order code "610", option "P2" or order code "620", option "N2"; PMP51B, PMC51B, PMP71B, PMC71B order code "610", options "NL" and "NM" or order code "620", options "PL" and "PM".
- 2) Product Configurator: DA63M order code "300", option "TB3"; PMP51, PMC51, PMP71, PMC71 order code "610", option "P8" or order code "620", option "N8"; PMP51B, PMC51B, PMP71B, PMC71B order code "610", option "OE" or order code "620", option "QE".
- 3) Pay attention to the pressure and temperature limits of the measuring device!
- 4) The pressure and temperature limits of the manifold are related to one another (see pressure and temperature chart).

MNPT x FNPT, milled



A0028012

Unit of measurement mm (in)

- A Process side (inlet)
- B Transmitter side (outlet)
- C Venting
- D PTFE packing
- E Pure graphite packing

Design and weight

- Process side (inlet): MNPT ½"
- Transmitter side (outlet): FNPT ½"
- Exhaust air vent: NPT ¼"
- Weight: 1 kg (2.21 lb)

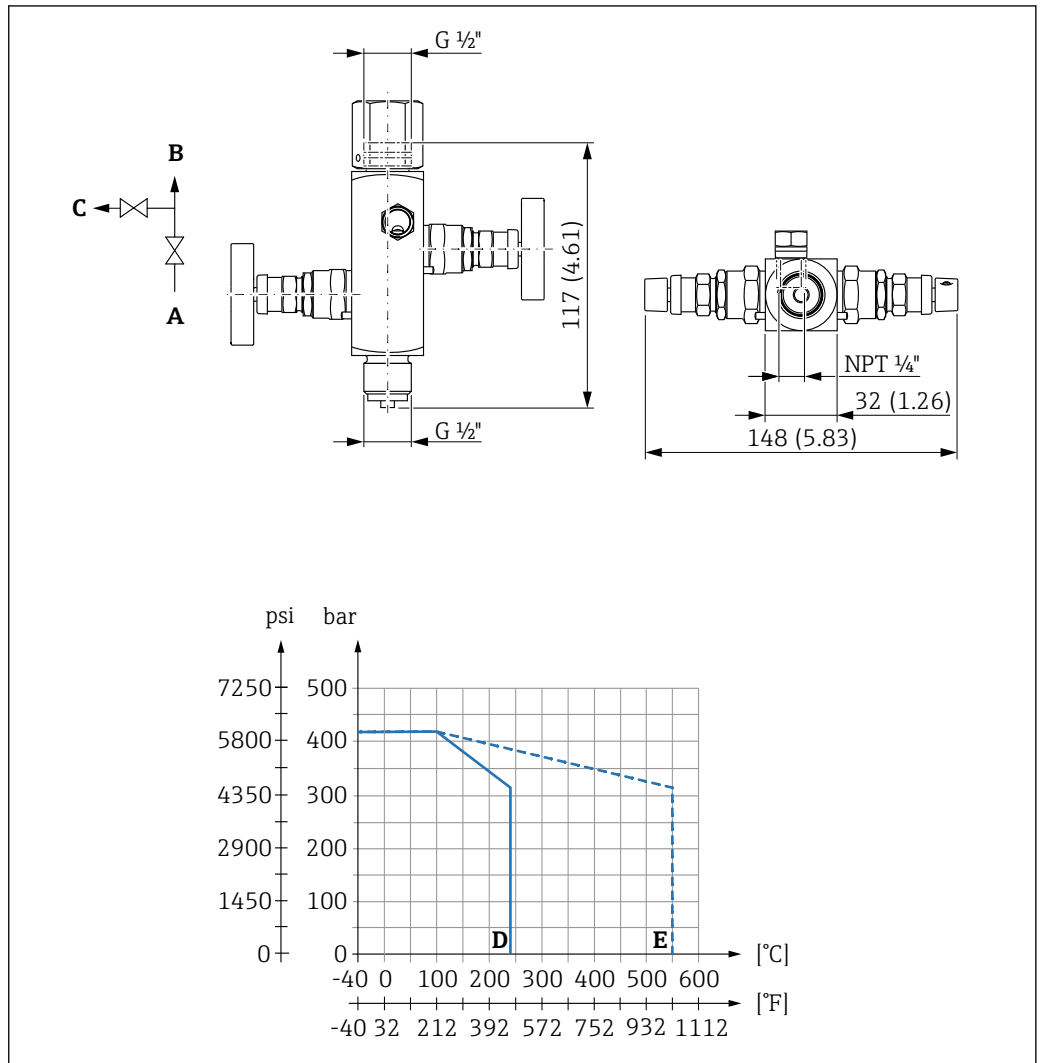
Materials and application

Select the corresponding option in the order codes in the Product Configurator.

Component part	"316L" ¹⁾	"Alloy C276" ²⁾
Housing	1.4404	2.4819
Protection cap	1.4404	2.4819
Locknut	1.4401	1.4401
Valve body	1.4404	1.4404
Gland nut	1.4401	1.4401
Packing ^{3) 4)}	PTFE up to +230 °C (+446 °F) Maximum 689 bar (10000 psi)	
	Pure graphite up to +550 °C (+1022 °F) Maximum 420 bar (6092 psi)	-
Certificates	EAC, CRN, NACE MR0175, NACE MR0103	

- 1) Product Configurator: DA63M order code "300", option "TB2"; PMP51, PMC51, PMP71, PMC71 order code "610", option "P2" or order code "620", option "N2"; PMP51B, PMC51B, PMP71B, PMC71B order code "610", options "NP" and "NQ" or order code "620", options "PP" and "PQ".
- 2) Product Configurator: DA63M order code "300", option "TB3"; PMP51, PMC51, PMP71, PMC71 order code "610", option "P8" or order code "620", option "N8"; PMP51B, PMC51B, PMP71B, PMC71B order code "610", option "OF" or order code "620", option "QF".
- 3) Pay attention to the pressure and temperature limits of the measuring device!
- 4) The pressure and temperature limits of the manifold are related to one another (see pressure and temperature chart).

G 1/2" + adjusting nut, milled



A0028017

Unit of measurement mm (in)

- A Process side (inlet)
- B Transmitter side (outlet)
- C Venting
- D PTFE packing
- E Pure graphite packing

Design and weight

- Process side (inlet): ISO228 G ½" EN837
- Transmitter side (outlet): G ½" + adjusting nut
- Exhaust air vent: NPT ¼"
- Weight: 1 kg (2.21 lb)

Materials and application

Select the corresponding option in the order codes in the Product Configurator.

Component part	"316L" ¹⁾
Housing	1.4404
Protection cap	1.4404
Locknut	1.4401
Valve body	1.4404
Gland nut	1.4401
Packing ^{2) 3)}	PTFE up to +230 °C (+446 °F) Maximum 420 bar (6092 psi)
	Pure graphite up to +550 °C (+1022 °F) Maximum 420 bar (6092 psi)
Certificates	EAC, NACE MR0175, NACE MR0103

- 1) Product Configurator: DA63M order code "300", option "TB2"; PMP51, PMC51, PMP71, PMC71 order code "610", option "P2" or order code "620", option "N2"; PMP51B, PMC51B, PMP71B, PMC71B order code "610", options "NN" and "NO" or order code "620", options "PN" and "PO".
- 2) Pay attention to the pressure and temperature limits of the measuring device!
- 3) The pressure and temperature limits of the manifold are related to one another (see pressure and temperature chart).

DA63M 3-valve manifold for Deltabar

Use

The manifold is used to connect piping to the differential pressure transmitter.

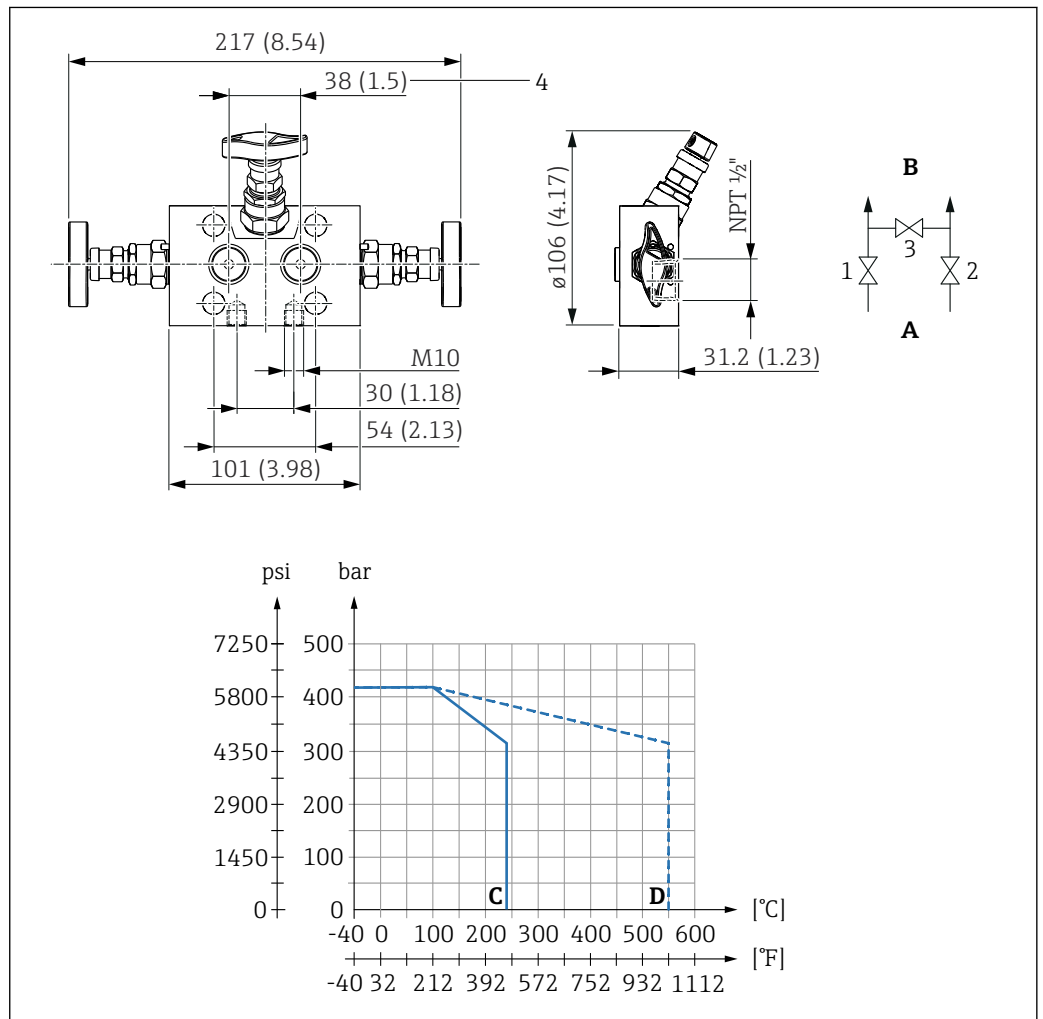


Use for:

- PMD55, PMD75
- PMD55B, PMD75B

Milled

Version for gas and liquid applications.



A0027747

Design and weight

- Surface: phosphatized steel
- Stem thread: external
- Valve stem: cold-rolled surface, with back seat and non-rotating needle tip
- Inlet: FNPT ½"
- Outlet: IEC61518, Form A
- Attachment: 4 screws, 2 seals, 4 washers (only for M10 screw set)
- Weight: approx. 2 kg (4.4 lb)

Materials and application

Select the corresponding option in the order codes in the Product Configurator.

Component part	"Steel" ¹⁾	"316L" ²⁾	"Alloy C276" ³⁾
Housing	1.0460	316L (1.4404)	Alloy C-276 (2.4819)
Housing temperature application limits	-10 to +450 °C (+14 to +842 °F)	-40 to +550 °C (-40 to +1022 °F)	-40 to +232 °C (-40 to +450 °F)
Bonnet	316 (1.4401)	316 (1.4401)	Alloy C-276 (2.4819)
Valve stem	1.4104	1.4404	2.4819
Needle tip	1.4122	1.4571	2.4819
Packing ^{4) 5)}	<ul style="list-style-type: none"> ■ PTFE: up to +230 °C (+446 °F) ■ Maximum 420 bar (6 092 psi) 	<ul style="list-style-type: none"> ■ PTFE: up to +230 °C (+446 °F) ■ Pure graphite: up to +550 °C (+1022 °F) ■ Maximum 420 bar (6 092 psi) 	<ul style="list-style-type: none"> ■ PTFE: up to +230 °C (+446 °F) ■ Maximum 420 bar (6 092 psi)
Gland nut	1.4301	1.4301	2.4819
T-handle	Stainless steel	Stainless steel	316
Fixing screws (depending on process connection)	<ul style="list-style-type: none"> ■ M10 hex head screw ISO 4014/4017 Quality: 8.8 ISO 898-1 Application 40 bar (580 psi) at -10 to +85 °C (+14 to +185 °F) ■ 7/16-20 UNF screw ANSI B18.2.1 Quality: 8.8 ISO 898-1 Application 40 bar (580 psi) at -10 to +85 °C (+14 to +185 °F) 	<ul style="list-style-type: none"> ■ M10 hex head screw ISO 4014/4017 Quality: A4-70 ISO 3506-1 ■ 7/16-20 UNF screw ASME B18.2.1 Quality: ASTM A193B8M Class2 ■ 7/16-20 UNF screw ASME B18.2.1 Quality: A4-70 ISO 3506-1 	<ul style="list-style-type: none"> ■ M10 hex head screw ISO 4014/4017 Quality: A4-70 ISO 3506-1 ■ 7/16-20 UNF screw ASME B18.2.1 Quality: ASTM A193B8M Class2 ■ 7/16-20 UNF screw ASME B18.2.1 Quality: A4-70 ISO 3506-1
Seal	<ul style="list-style-type: none"> ■ PTFE: -10 to +80 °C (+14 to +176 °F) (in accordance with EN61518) ■ FKM Viton: -15 to +120 °C (+5 to +248 °F) ■ Graphite: -40 to +120 °C (-40 to +248 °F) (in accordance with EN61518) 		
Certificates	-	EAC, CRN, NACE MR0175, NACE MR0103, ASME B31.1 ⁶⁾	EAC, CRN, NACE MR0175, NACE MR0103

1) Product Configurator: DA63M order code "300", option "AB1"

2) Product Configurator: DA63M order code "300", option "AB2"; PMD55, PMD75 order code "610", option "N3" or order code "620", option "P3"; PMD55B, PMD75B order code "610", options "NR" and "NS" or order code "620", options "PR" and "PS"

3) Product Configurator: DA63M order code "300", option "AB3"; PMD55, PMD75 order code "610", option "N8" or order code "620", option "P8"; PMD55B, PMD75B order code "610", option "OC" or order code "620", option "QC".

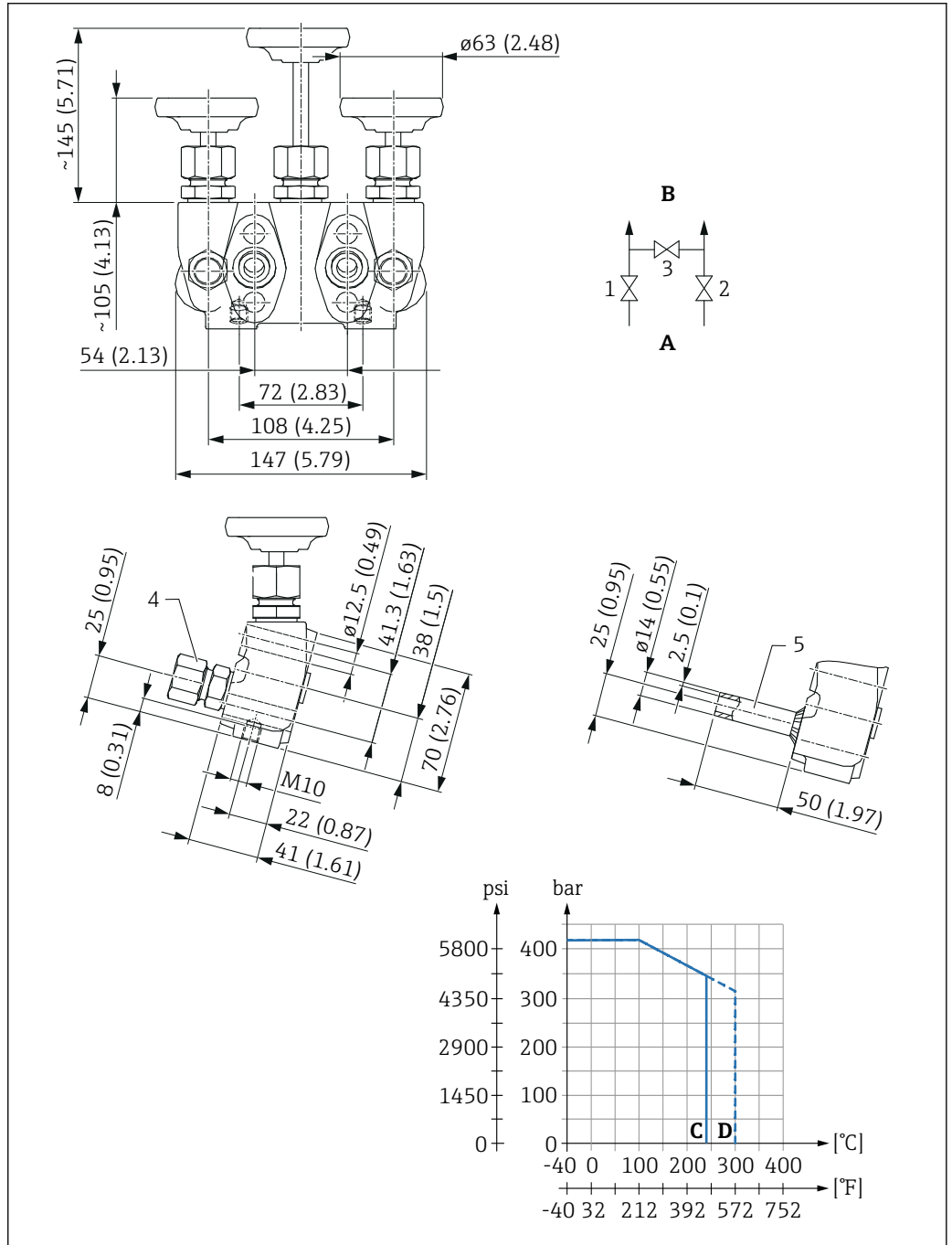
4) Pay attention to the pressure and temperature limits of the measuring device!

5) The pressure and temperature limits of the manifold are related to one another (see pressure and temperature chart).

6) Product Configurator: DA63M order code "300", option "AB4"

Forged

Version for steam applications.



A0027677

Unit of measurement mm (in)

- A Process side
- B Transmitter side
- C PTFE packing
- D Pure graphite packing
- 1, 2 The transmitter can be disconnected from the piping with valves 1 and 2
- 3 Valve 3 is used for zero point compensation between the piping
- 4 Cutting ring
- 5 Weld connection

Design and weight

- Housing: die-pressed part
- Surface: phosphatized steel
- Stem thread: internal
- Valve seat: replaceable
- Valve stem: cold-rolled surface, with back seat and non-rotating needle tip
- Hand wheels: plastic
- Inlet:
 - Cutting ring fitting for tube $\varnothing 12$ mm (0.47 in), series S, G 3/8 (Product Configurator: DA63M order code "610", option "NA")
 - Welding socket for tube $\varnothing 14 \times 2.5$ mm (Product Configurator: DA63M order code "320", option "D")
- Outlet: IEC61518, Form A
- Attachment: 4 screws, 2 seals, 4 washers (only for M10 screw set)
- Weight: approx. 3.2 kg (7 lb)

Materials and application

Select the corresponding option in the order codes in the Product Configurator.

Component part	"Steel" ¹⁾	"316Ti" ²⁾
Housing	1.0460	1.4571
Housing temperature application limits	-10 to +300 °C (+14 to +572 °F)	-40 to +300 °C (-40 to +572 °F)
Bonnet	1.0501	1.4571
Valve seat	1.4571	1.4571
Valve stem	1.4104	1.4571
Needle tip	1.4122	1.4571
Packing ^{3) 4)}	<ul style="list-style-type: none"> ■ PTFE: up to +230 °C (+446 °F) ■ Pure graphite: up to +300 °C (+572 °F) ■ Maximum 400 bar (5 800 psi) 	<ul style="list-style-type: none"> ■ PTFE: up to +230 °C (+446 °F) ■ Pure graphite: up to +300 °C (+572 °F) ■ Maximum 400 bar (5 800 psi)
Union nut	Steel	1.4571
Welding nipple	1.4515	1.4571
Fixing screws (depending on process connection)	<ul style="list-style-type: none"> ■ M10 hex head screw ISO 4014/4017 Quality 8.8 ISO 898-1 Application 40 bar (580 psi) at -10 to +85 °C (+14 to +185 °F) ■ 7/16-20 UNF screw ASME B18.2.1 Quality: 8.8 ISO 898-1 Application 40 bar (580 psi) at -10 to +85 °C (+14 to +185 °F) 	<ul style="list-style-type: none"> ■ M10 hex head screw ISO 4014/4017 Quality: A4-70 ISO 3506-1 ■ 7/16-20 UNF screw ASME B18.2.1 Quality: A4-70 ISO 3506-1
Seal	<ul style="list-style-type: none"> ■ PTFE: -10 to +80 °C (+14 to +176 °F) (in accordance with EN61518) ■ FKM Viton: -15 to +120 °C (+5 to +248 °F) ■ Graphite: -40 to +120 °C (-40 to +248 °F) (in accordance with EN61518) 	

1) Product Configurator: DA63M order code "300", option "AA1"

2) Product Configurator: DA63M order code "300", option "AA2"

3) Pay attention to the pressure and temperature limits of the measuring device!

4) The pressure and temperature limits of the manifold are related to one another (see pressure and temperature chart).

DA63M 5-valve manifold for Deltabar

Use

The manifold is used for differential pressure transmitter installation or zero point adjustment and to shut off the piping.

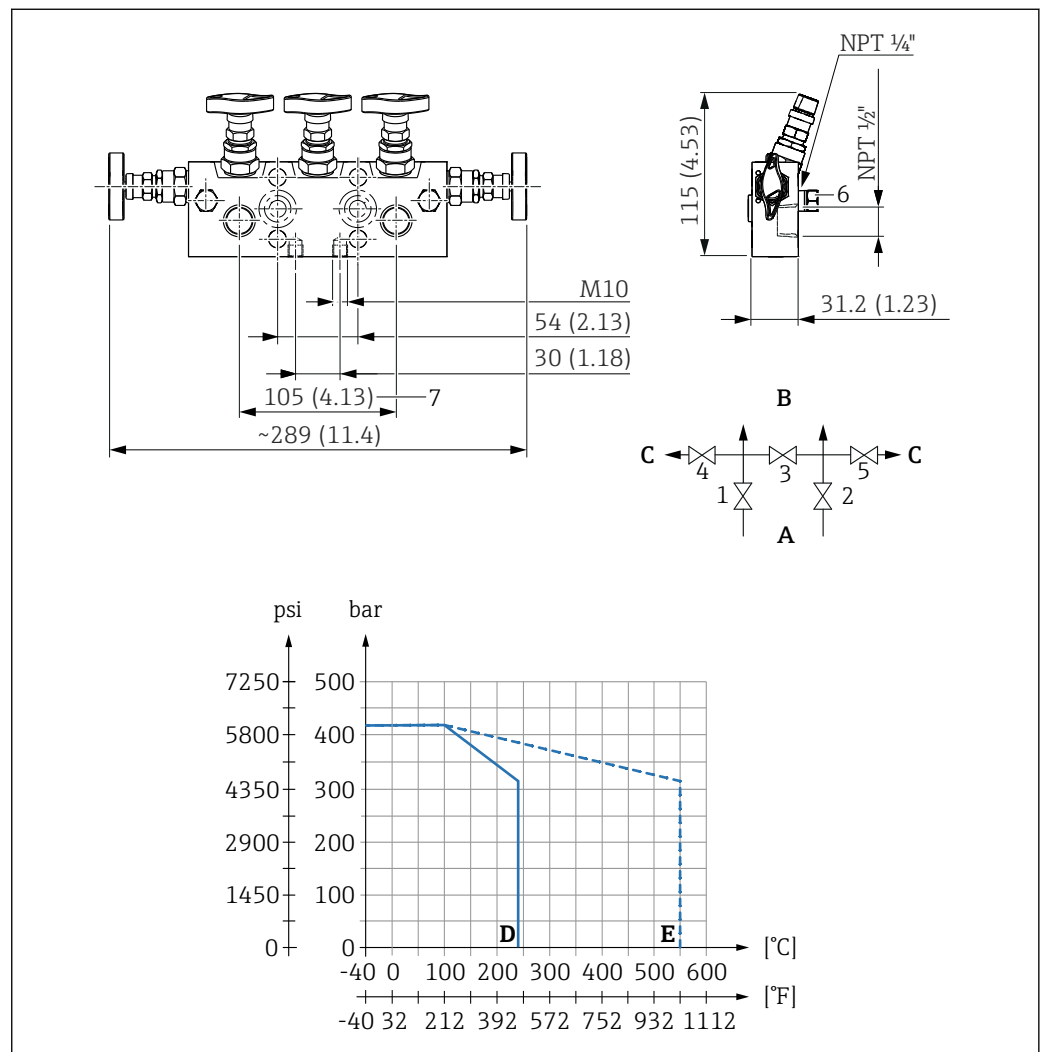


Use for:

- PMD55, PMD75
- PMP55B, PMP75B

Milled

Version for gas and liquid applications with vent.



A0027748

Unit of measurement mm (in)

- A Process side
- B Transmitter side
- C Venting
- D PTFE packing
- E Pure graphite packing
- 1, 2 The transmitter can be disconnected from the piping with valves 1 and 2
- 3 Valve 3 is used for zero point compensation between the piping
- 4, 5 The piping can be vented or blown clear with valves 4 and 5
- 6 Vent connection NPT 1/4", female
- 7 Distance between impulse line inlets.

Design and weight

- Surface: phosphatized steel
- Stem thread: external
- Valve stem: cold-rolled surface, with back seat and non-rotating needle tip
- Inlet: FNPT ½"
- Outlet: IEC 61518, Form A
- Attachment: 4 screws, 2 seals, 4 washers (only for M10 screw set)
- Weight: approx. 3.3 kg (7.3 lb)
- Vent connection: NPT ¼", female

Materials and application

Select the corresponding option in the order codes in the Product Configurator.

Component part	"Steel" ¹⁾	"316L" ²⁾	"Alloy C276" ³⁾
Housing	1.0460	316L (1.4401)	Alloy C-276 (2.4819)
Housing temperature application limits	-10 to +550 °C (+14 to +1022 °F)	-40 to +550 °C (-40 to +1022 °F)	-40 to +232 °C (-40 to +450 °F)
Bonnet	316L (1.4401)	316L (1.4401)	Alloy C-276 (2.4819)
Valve stem	1.4104	1.4101	2.4819
Needle tip	1.4122	1.4571	2.4819
Packing ^{4) 5)}	<ul style="list-style-type: none"> ■ PTFE: up to +230 °C (+446 °F) ■ Maximum 420 bar (6092 psi) 	<ul style="list-style-type: none"> ■ PTFE: up to +230 °C (+446 °F) ■ Pure graphite: up to +550 °C (+1022 °F) ■ Maximum 420 bar (6092 psi) 	<ul style="list-style-type: none"> ■ PTFE: up to +230 °C (+446 °F) ■ Maximum 420 bar (6092 psi)
Gland nut	1.4301	1.4301	2.4819
T-handle	Stainless steel	Stainless steel	316
Screw plug	1.0501	1.4404	2.4819
Fixing screws (depending on process connection)	<ul style="list-style-type: none"> ■ M10 hex head screw ISO 4014/4017 Quality 8.8 ISO 898-1 Application 40 bar (580 psi) at -10 to +85 °C (+14 to +185 °F) ■ 7/16-20 UNF screw ASME B18.2.1 Quality: 8.8 ISO 898-1 Application 40 bar (580 psi) at -10 to +85 °C (+14 to +185 °F) 	<ul style="list-style-type: none"> ■ M10 hex head screw ISO 4014/4017 Quality: A4-70 ISO 3506-1 ■ 7/16-20 UNF screw ASME B18.2.1 Quality: ASTM A193B8M Class2 ■ 7/16-20 UNF screw ASME B18.2.1 Quality: A4-70 ISO 3506-1 	<ul style="list-style-type: none"> ■ M10 hex head screw ISO 4014/4017 Quality: A4-70 ISO 3506-1 ■ 7/16-20 UNF screw ASME B18.2.1 Quality: ASTM A193B8M Class2 ■ 7/16-20 UNF screw ASME B18.2.1 Quality: A4-70 ISO 3506-1
Seal	<ul style="list-style-type: none"> ■ PTFE: -10 to +80 °C (+14 to +176 °F) (in accordance with EN61518) ■ FKM Viton: -15 to +120 °C (+5 to +248 °F) ■ Graphite: -40 to +120 °C (-40 to +248 °F) (in accordance with EN61518) 		
Certificates	-	EAC, CRN, NACE MR0175, NACE MR0103, ASME B31.1 ⁶⁾	EAC, CRN, NACE MR0175, NACE MR0103

1) Product Configurator: DA63M order code "300", option "BB1"

2) Product Configurator: DA63M order code "300", option "BB2"; PMD55, PMD75 order code "610", option "N5" or order code "620", option "P5"; PMD55B, PMD75B order code "610", options "NT" and "NU" or order code "620", options "PT" and "PU"

3) Product Configurator: DA63M order code "300", option "BB3"; PMD55, PMD75 order code "610", option "N8" or order code "620", option "P8"; PMD55B, PMD75B order code "610", option "OD" or order code "620", option "QD"

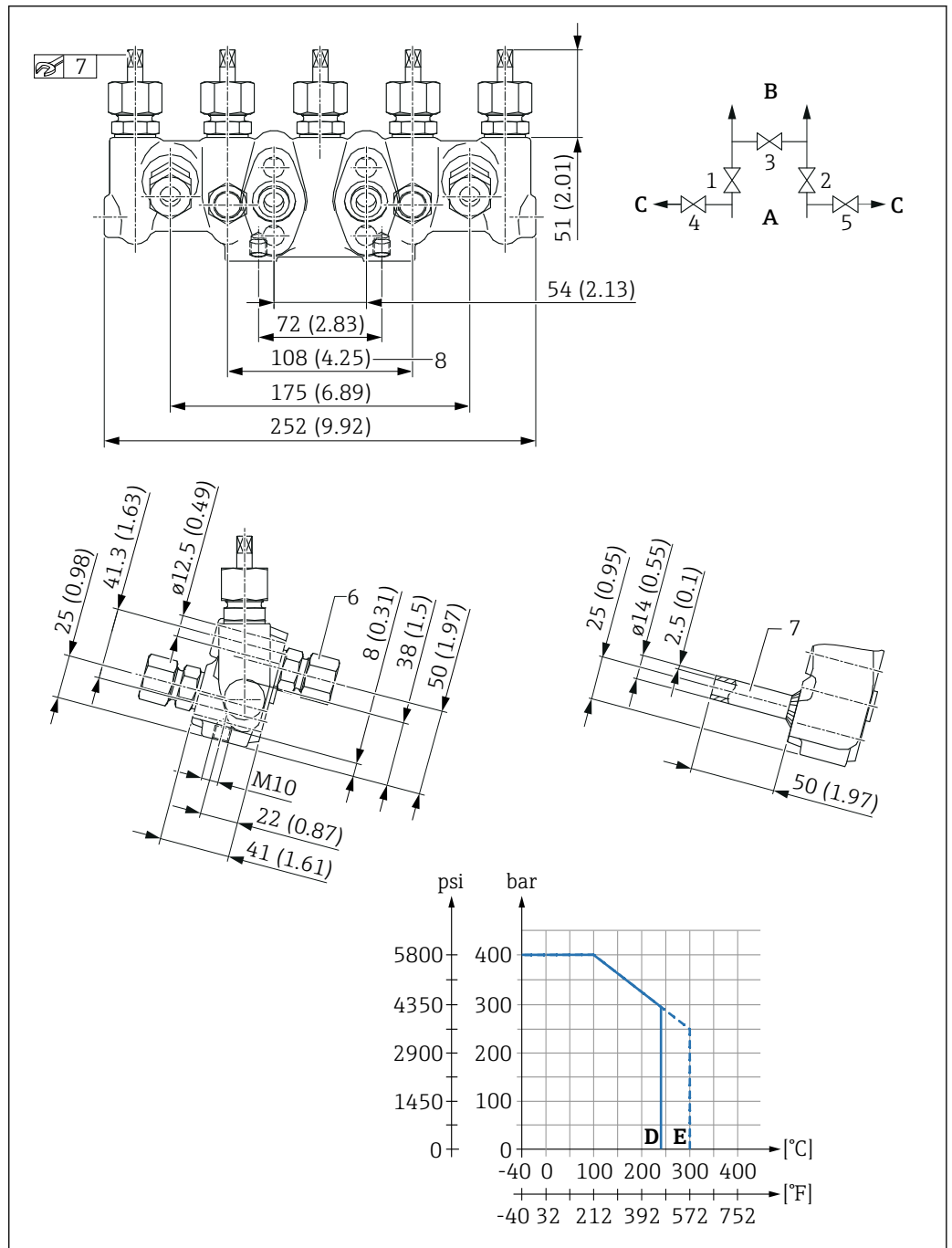
4) Pay attention to the pressure and temperature limits of the measuring device!

5) The pressure and temperature limits of the manifold are related to one another (see pressure and temperature chart).

6) Product Configurator: DA63M order code "300", option "BB4"

Forged

Version for steam applications and with purge valve.



A0027749

Unit of measurement mm (in)

A Process side

B Transmitter side

C Blow clear

D PTFE packing

E Pure graphite packing

1, 2 The transmitter can be disconnected from the piping with valves 1 and 2

3 Valve 3 is used for zero point compensation between the piping

4, 5 The piping can be vented or blown clear with valves 4 and 5

6 Cutting ring fitting

7 Weld connection

8 Distance between impulse line inlets.

Design and weight

- Housing: die-pressed part
- Surface: phosphatized steel
- Stem thread: internal
- Valve seat: replaceable
- Valve stem: cold-rolled surface, with back seat and non-rotating needle tip
- Inlet/blow clear
 - Cutting ring fitting for tube $\varnothing 12$ mm (0.47 in), series S, G 3/8 (Product Configurator: DA63M order code "610", option "NA")
 - Welding socket for tube $\varnothing 14 \times 2.5$ mm (Product Configurator: DA63M order code "320", option "D")
- Outlet: IEC 61518, Form A
- Attachment: 4 screws, 2 seals, 4 washers (only for M10 screw set)
- Weight: approx. 4.6 kg (10.2 lb)

Materials and application

Select the corresponding option in the order codes in the Product Configurator.

Component part	"Steel" ¹⁾	"316Ti" ²⁾
Housing	1.0460	1.4571
Housing temperature application limits	-10 to +300 °C (+14 to +572 °F)	-40 to +300 °C (-40 to +572 °F)
Bonnet	1.0501	1.4571
Valve seat	1.4571	1.4571
Valve stem	1.4104	1.4571
Needle tip	1.4122	1.4571
Packing ^{3) 4)}	<ul style="list-style-type: none"> ■ PTFE: up to +230 °C (+446 °F) ■ Pure graphite: up to +300 °C (+572 °F) ■ Maximum 400 bar (5 800 psi) 	<ul style="list-style-type: none"> ■ PTFE: up to +230 °C (+446 °F) ■ Pure graphite: up to +300 °C (+572 °F) ■ Maximum 400 bar (5 800 psi)
Union nut	Steel	1.4571
Fixing screws (depending on process connection)	<ul style="list-style-type: none"> ■ M10 hex head screw ISO 4014/4017 Quality 8.8 ISO 898-1 Application 40 bar (580 psi) at -10 to +85 °C (+14 to +185 °F) ■ 7/16-20 UNF screw ASME B18.2.1 Quality: 8.8 ISO 898-1 Application 40 bar (580 psi) at -10 to +85 °C (+14 to +185 °F) 	<ul style="list-style-type: none"> ■ M10 hex head screw ISO 4014/4017 Quality: A4-70 ISO 3506-1 ■ 7/16-20 UNF screw ASME B18.2.1 Quality: A4-70 ISO 3506-1
Seal	<ul style="list-style-type: none"> ■ PTFE: -10 to +80 °C (+14 to +176 °F) (in accordance with EN61518) ■ FKM Viton: -15 to +120 °C (+5 to +248 °F) ■ Graphite: -40 to +120 °C (-40 to +248 °F) (in accordance with EN61518) 	

1) Product Configurator: DA63M order code "300", option "CA1"

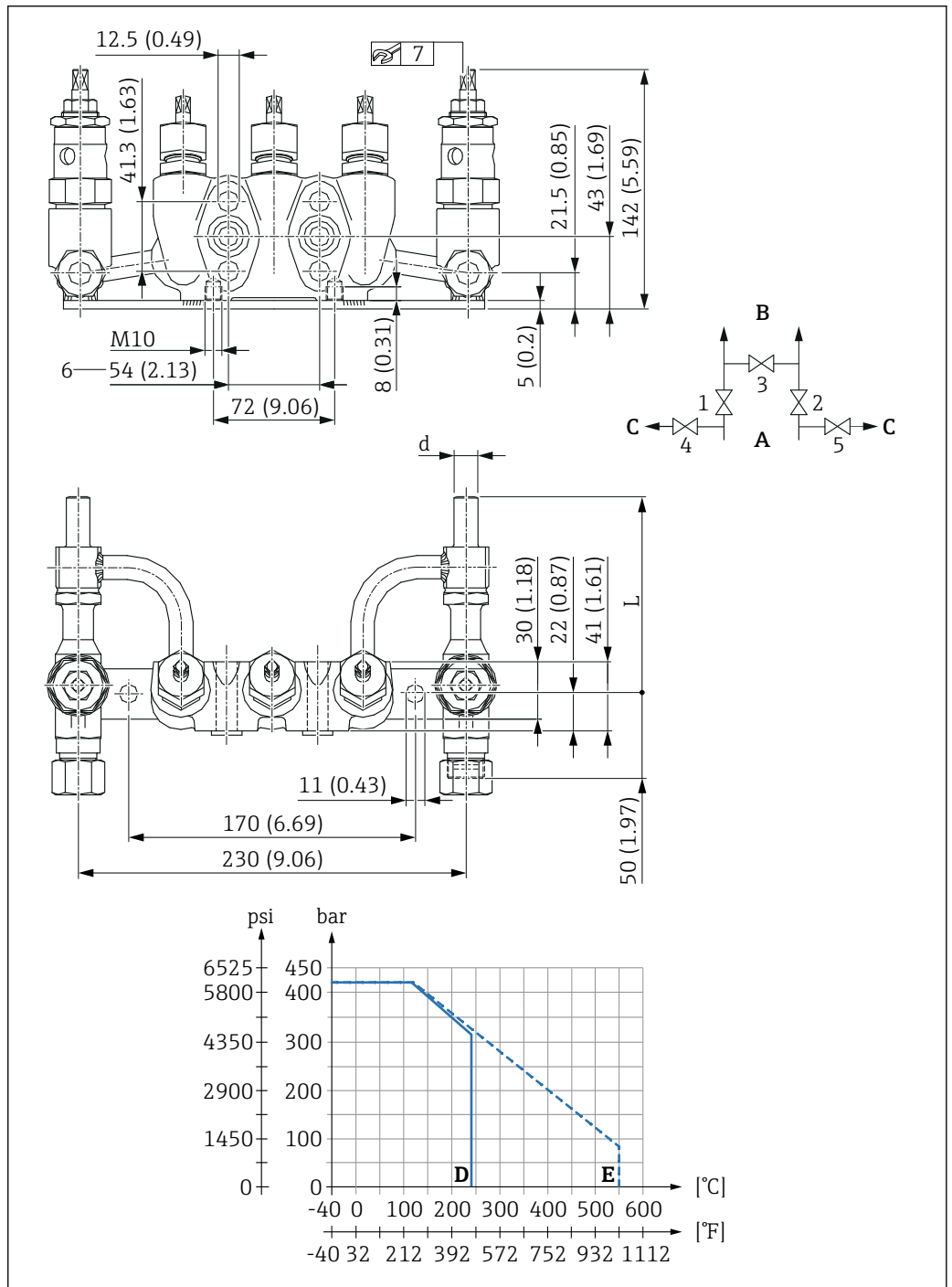
2) Product Configurator: DA63M order code "300", option "CA2"

3) Pay attention to the pressure and temperature limits of the measuring device!

4) The pressure and temperature limits of the manifold are related to one another (see pressure and temperature chart).

Forged HT

Version for high-temperature steam applications and with purge valve.



A0027750

Unit of measurement mm (in)

- A Process side
- B Transmitter side
- C Purge valve
- D PTFE packing
- E Pure graphite packing
- 1, 2 The transmitter can be disconnected from the piping with valves 1 and 2
- 3 Valve 3 is used for zero point compensation between the piping
- 4, 5 The piping can be vented or blown clear with valves 4 and 5
- 6 Distance between impulse line inlets.

Design and weight

- Housing: die-pressed part
- Surface: phosphatized steel
- Manifold stem thread: internal
- Purge valves: external stem thread
- Valve seat: replaceable
- Valve stem: cold-rolled surface, with back seat and non-rotating needle tip
- Inlet: butt weld connection for tube 14 x 2.5 mm (d)
- Manifold outlet: IEC 61518, Form A
- Purge valve outlet: cutting ring fitting for tube 14 mm (0.55 in), series S
- Attachment: 4 screws, 2 seals, 4 washers (only for M10 screw set)
- Weight: approx. 5.6 kg (12.4 lb)

Materials and application

Select the corresponding option in the order codes in the Product Configurator.

"Steel" version (Product Configurator: DA63M order code "300", option "DA1")

Component part	Valve block	Purge valve
Housing	1.0460	1.5415
Housing temperature application limits	-10 to +200 °C (+14 to +392 °F)	-10 to +550 °C (+14 to +1022 °F)
Bonnet	1.0501	1.7709
Valve seat	1.4571	1.4021
Valve stem	1.4104	1.4021
Needle tip	1.4122	1.4122
Packing ^{1) 2)}	<ul style="list-style-type: none"> ■ PTFE: up to +230 °C (+446 °F) ■ Maximum 420 bar (6092 psi) 	<ul style="list-style-type: none"> ■ Pure graphite: +550 °C (+1022 °F) ■ Maximum 420 bar (6092 psi)
Union nut	Steel	-
Gland nut	-	2.0550
Fixing screws (depending on process connection)	<ul style="list-style-type: none"> ■ M10 hex head screw ISO 4014/4017 Quality 8.8 ISO 898-1 Application 40 bar (580 psi) at -10 to +85 °C (+14 to +185 °F) ■ 7/16-20 UNF screw ASME B18.2.1 Quality: 8.8 ISO 898-1 Application 40 bar (580 psi) at -10 to +85 °C (+14 to +185 °F) 	
Seal	<ul style="list-style-type: none"> ■ PTFE: -10 to +80 °C (+14 to +176 °F) (in accordance with EN61518) ■ FKM Viton: -15 to +120 °C (+5 to +248 °F) ■ Graphite: -40 to +120 °C (-40 to +248 °F) (in accordance with EN61518) 	

1) Pay attention to the pressure and temperature limits of the measuring device!

2) The pressure and temperature limits of the manifold are related to one another (see pressure and temperature chart).

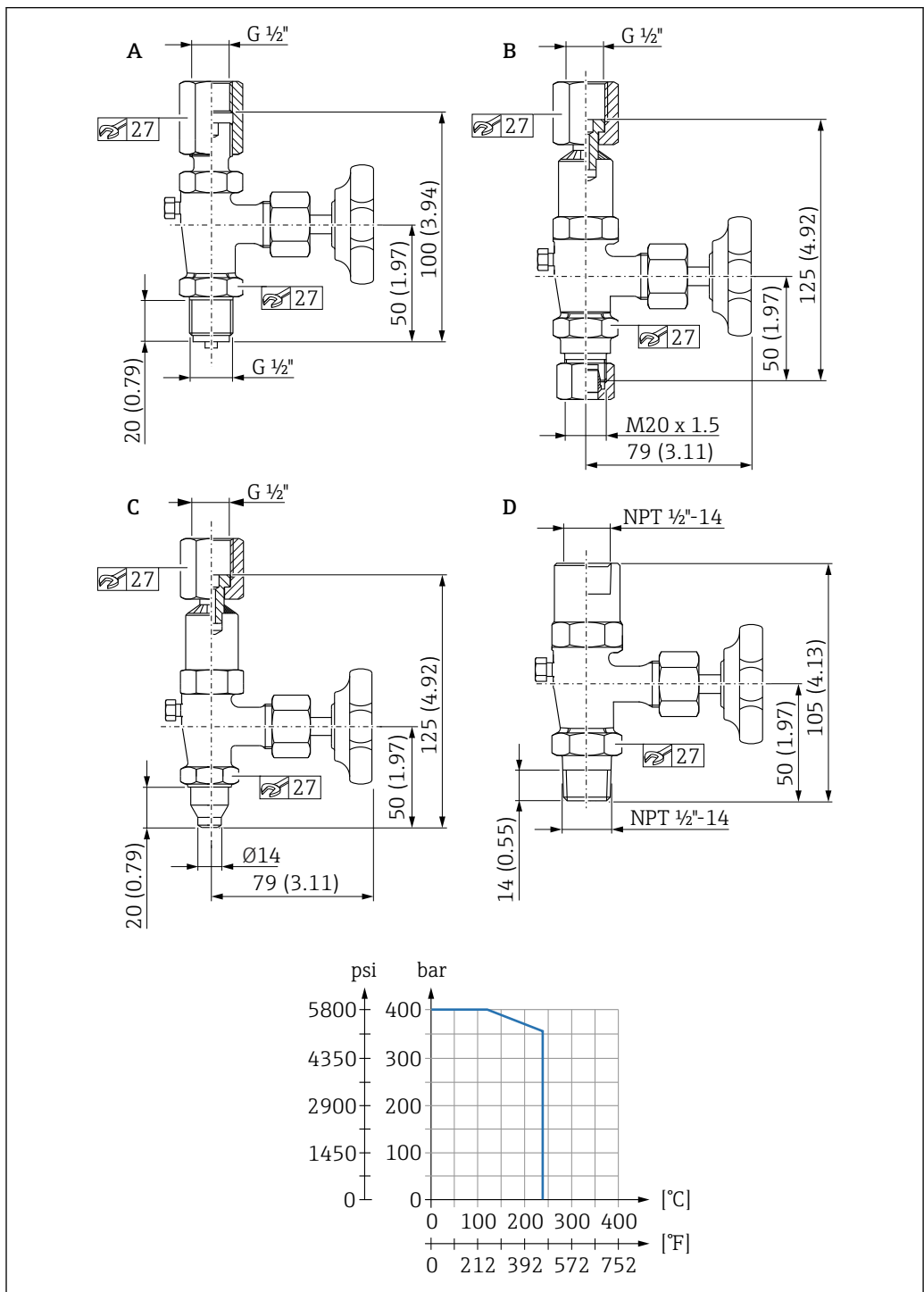
"316Ti" version (Product Configurator: DA63M order code "300", option "DA2")

Component part	Valve block	Purge valve
Housing	1.4571	1.4571
Housing temperature application limits	-40 to +200 °C (-40 to +392 °F)	-40 to +550 °C (-40 to +1022 °F)
Bonnet	1.4571	1.4571
Valve seat	1.4571	1.4571
Valve stem	1.4571	1.4571
Needle tip	1.4571	1.4571
Packing ^{1) 2)}	<ul style="list-style-type: none"> ■ PTFE: up to +230 °C (+446 °F) ■ Maximum 420 bar (6 092 psi) 	<ul style="list-style-type: none"> ■ Pure graphite: +550 °C (+1022 °F) ■ Maximum 420 bar (6 092 psi)
Union nut	1.4571	-
Gland nut	-	1.4301
Fixing screws (depending on process connection)	<ul style="list-style-type: none"> ■ M10 hex head screw ISO 4014/4017 Quality: A4-70 ISO 3506-1 ■ 7/16-20 UNF screw ASME B18.2.1 Quality: A4-70 ISO 3506-1 	
Seal	<ul style="list-style-type: none"> ■ PTFE: -10 to +80 °C (+14 to +176 °F) (in accordance with EN61518) ■ FKM Viton: -15 to +120 °C (+5 to +248 °F) ■ Graphite: -40 to +120 °C (-40 to +248 °F) (in accordance with EN61518) 	

- 1) Pay attention to the pressure and temperature limits of the measuring device!
 2) The pressure and temperature limits of the manifold are related to one another (see pressure and temperature chart).

PZAV: Pressure gauge valves for Cerabar and Ceraphant

Pressure gauge valve without test connection according to DIN 16270



A0027942

Unit of measurement mm (in)

Use

Suitable for shutting off the piping and for mounting pressure transmitters with ISO228 G ½" thread according to DIN16270 or NPT ½" thread.



- Use for:
- PMP51, PMC51, PMP71, PMC71
 - PMP51B, PMC51B, PMP71B, PMC71B

Design



Select the corresponding option in the order codes in the Product Configurator.

Item	Input	Outlet (to measuring device)
A	ISO228 G ½" EN837	G ½" female, adjusting nut ¹⁾
B	Ermeto 12S	G ½" female, adjusting nut ²⁾
C	Weld connection	G ½" female, adjusting nut ³⁾
D	MNPT ½"	FNPT ½" female ⁴⁾

- 1) Product Configurator: PZAV order code "020", option "1" and order code "030", option "A"
- 2) Product Configurator: PZAV order code "020", option "1" and order code "030", option "B"
- 3) Product Configurator: PZAV order code "020", option "1" and order code "030", option "C"
- 4) Product Configurator: PZAV order code "020", option "1" and order code "030", option "D"

Technical data

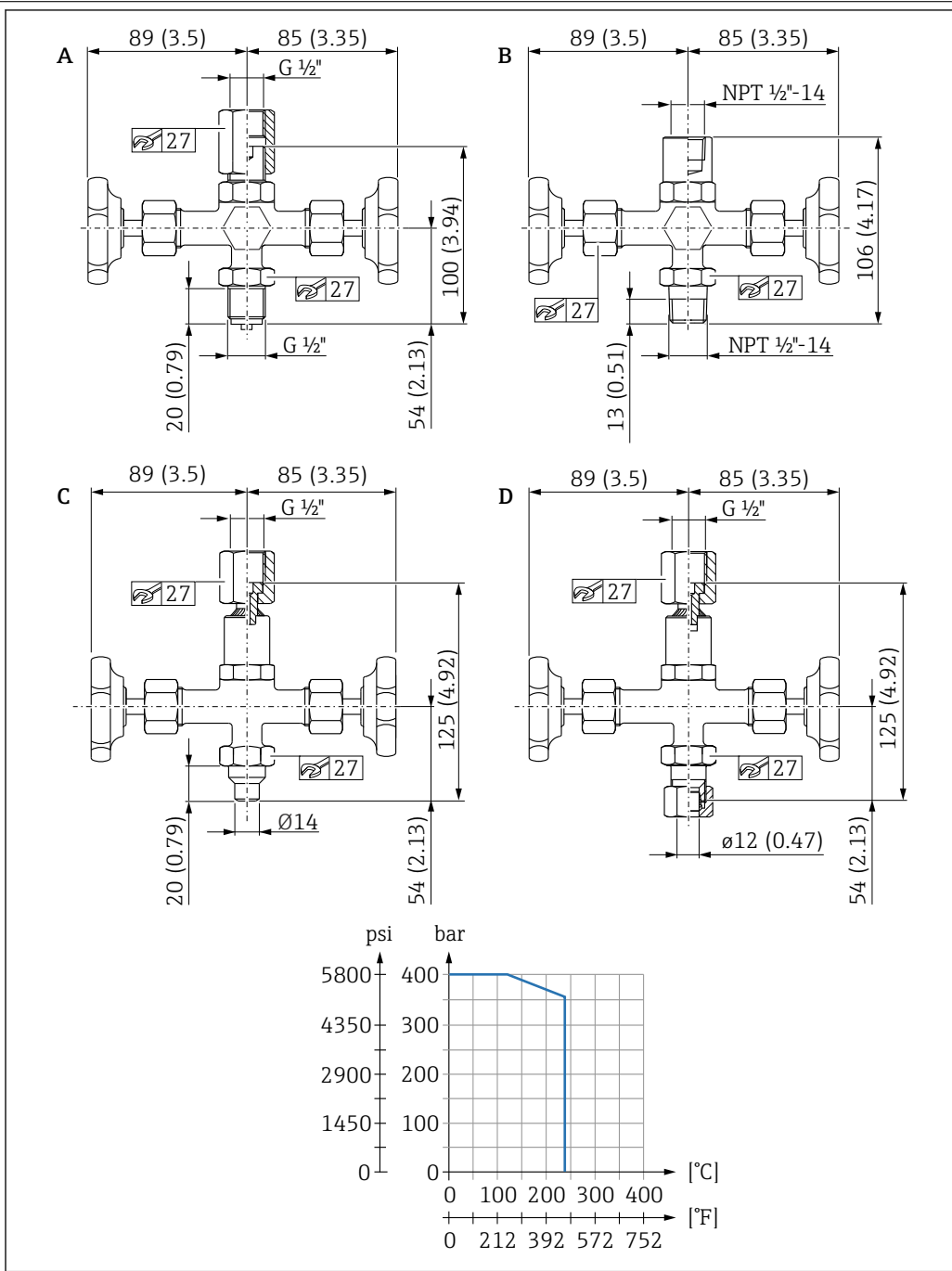


Select the corresponding option in the order codes in the Product Configurator.

Component part	"Steel" ¹⁾	"316Ti" ²⁾
Housing	1.0460	1.4571
Valve stem	1.4104	1.4571
Needle tip	1.4104	1.4571
Packing ^{3) 4)}	<ul style="list-style-type: none"> ■ PTFE up to +230 °C (+446 °F) ■ Maximum 400 bar (5 800 psi) 	<ul style="list-style-type: none"> ■ PTFE up to +230 °C (+446 °F) ■ Maximum 400 bar (5 800 psi)
Input	1.0460	1.4571
Outlet	1.0460	1.4571
Vent screw	A4 (316)	A4 (316)
Hand wheel	Plastic	Plastic
3.1 Certificate	PZAV-B	PZAV-B

- 1) Product Configurator: PZAV order code "040", option "1"; PMC51, PMP51, PMP55 order code "620", option "P2"
- 2) Product Configurator: PZAV order code "040", option "2"
- 3) Pay attention to the pressure and temperature limits of the measuring device!
- 4) The pressure and temperature limits of the valves are related to one another (see pressure and temperature chart).

Pressure gauge valve with test connection M20x1.5 according to DIN 16272



A0027943

Unit of measurement mm (in)

Use

Suitable for shutting off the piping and for mounting pressure transmitters with ISO228 G½" thread according to DIN16272 or NPT ½" thread.



Use for:

- PMP51, PMC51, PMP71, PMC71
- PMP51B, PMC51B, PMP71B, PMC71B

Design



Select the corresponding option in the order codes in the Product Configurator.

Item	Input	Outlet (to measuring device)
A	ISO228 G ½" EN837	G ½" female, adjusting nut ¹⁾
B	MNPT ½"	FNPT ½" female ²⁾
C	Weld connection 14x2.5	G ½" female, adjusting nut ³⁾
D	Ermeto 12S	G ½" female, adjusting nut ⁴⁾

- 1) Product Configurator: PZAV order code "020", option "2" and order code "030", option "A"
- 2) Product Configurator: PZAV order code "020", option "2" and order code "030", option "B"
- 3) Product Configurator: PZAV order code "020", option "2" and order code "030", option "C"
- 4) Product Configurator: PZAV order code "020", option "2" and order code "030", option "D"

Technical data

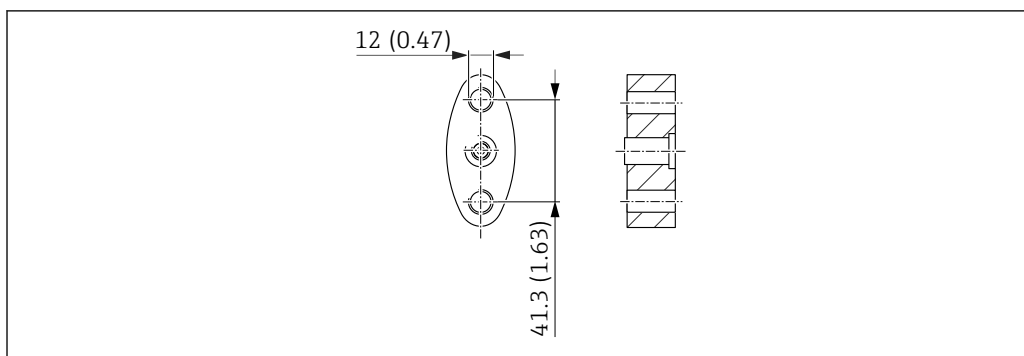


Select the corresponding option in the order codes in the Product Configurator.

Component part	"Steel" ¹⁾	"316Ti" ²⁾
Housing	1.0460	1.4571
Valve stem	1.4104	1.4571
Needle tip	1.4104	1.4571
Packing ^{3) 4)}	<ul style="list-style-type: none"> ■ PTFE up to +230 °C (+446 °F) ■ Maximum 400 bar (5 800 psi) 	<ul style="list-style-type: none"> ■ PTFE up to +230 °C (+446 °F) ■ Maximum 400 bar (5 800 psi)
Input	1.0460	1.4571
Outlet	1.0460	1.4571
Vent screw	1.0460	1.4571
Hand wheel	Plastic	Plastic
3.1 Certificate	PZAV-B	PZAV-B

- 1) Product Configurator: PZAV order code "040", option "1"; PMC51, PMP51, PMP55 order code "620", option "P2"
- 2) Product Configurator: PZAV order code "040", option "2"
- 3) Pay attention to the pressure and temperature limits of the measuring device!
- 4) The pressure and temperature limits of the valves are related to one another (see pressure and temperature chart).

PZO: Oval flange adapter for Deltabar



A0027940

Unit of measurement mm (in)

Use The oval flange adapter is used to connect the piping to the oval flange process connection of the differential pressure transmitter (IEC 61518).

i Use for:
PMD55, PMD55B, PMD75 and PMD75B

Technical data **i** Select the corresponding option in the order codes in the Product Configurator.

Component part	"Steel" ¹⁾	"316L" ²⁾
Process connection	FNPT ½"-14 / JIS RC ¼"	
Seal ³⁾	<ul style="list-style-type: none"> ▪ PTFE: -10 to +80 °C (+14 to +176 °F) (in accordance with EN61518) ▪ FKM Viton 	
Fixing screw ⁴⁾	<ul style="list-style-type: none"> ▪ 2x fixing screws 7/16-20 UNF screws ASME B18.2.1 quality: ASTM A449 Type 1 or ▪ 2x fixing screws M10 hexagonal head screw ISO4014/4017 quality: 8.8 ISO 898-1 	<ul style="list-style-type: none"> ▪ 2x fixing screws 7/16-20 UNF screw ANSI B18.2.1 quality: ASTM A193 B8M Class 2 or ▪ 2x fixing screws M10 hexagonal head screw ISO4014/4017 quality: A4-70 ISO 3506-1
Additional options	-	EN10204-3.1 certificate

1) Product Configurator: PZO order code "030", option "2"; PMD55, PMD55B, PMD75B order code "620", option "P1"

2) Product Configurator: PZO order code "030", option "1"; PMD55, PMD55B, PMD75B order code "620", option "P1"

3) Pay attention to the pressure and temperature limits of the measuring device!

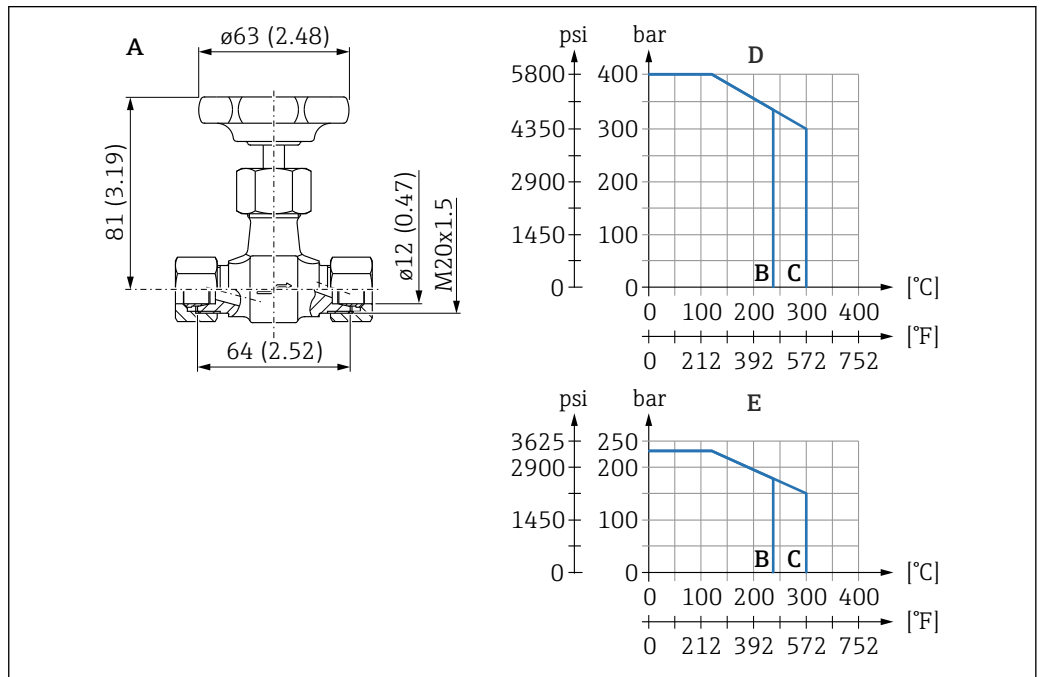
4) Fixing screws are optional

DA61V: Shutoff device for pipes

Use Suitable for shutting off the piping (e.g. for flow applications).
 The shutoff valve is designed to separate the measuring system from the measuring tube if leaks are discovered or if maintenance work needs to be performed on the piping.

Installation and commissioning The shutoff valves must be closed on completion of the installation. As part of routine commissioning, the shutoff valves must first be opened carefully and the integrity of the entire system checked to ensure it is leak-tight.

Shutoff assembly with screw-in bonnet



A0027977

Unit of measurement mm (in)

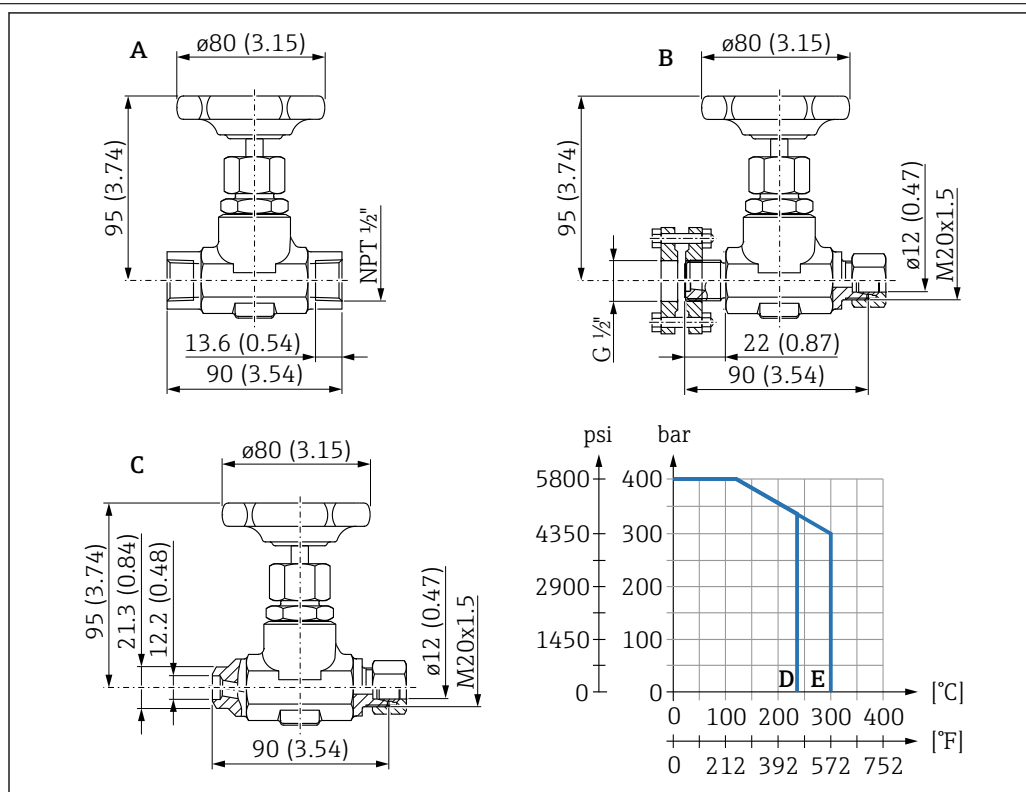
- A Inlet cutting ring; outlet cutting ring
- B PTFE packing
- C Pure graphite packing
- D Series S
- E Series L

Technical data

Component part	"C22.8" ¹⁾	"316Ti" ²⁾
Housing	1.0460	1.4571
Valve stem	1.4104	1.4571
Needle tip	1.4122	1.4571
Packing ^{3) 4)}	<ul style="list-style-type: none"> ■ PTFE up to +230 °C (+446 °F) ■ Pure graphite up to +300 °C (+572 °F) 	<ul style="list-style-type: none"> ■ PTFE up to +230 °C (+446 °F) ■ Pure graphite up to +300 °C (+572 °F)
Union nut	Steel	1.4571
Certificate	3.1 Certificate	3.1 Certificate
Weight	0.47 kg (1.04 lb)	0.47 kg (1.04 lb)

- 1) Product Configurator: DA61V order code "260", option "C"
- 2) Product Configurator: DA61V order code "260", option "D"
- 3) Pay attention to the pressure and temperature limits of the measuring device!
- 4) The pressure and temperature limits of the assembly are related to one another (see pressure and temperature chart).

Shutoff assembly with integrated bonnet



A0027970

Unit of measurement mm (in)

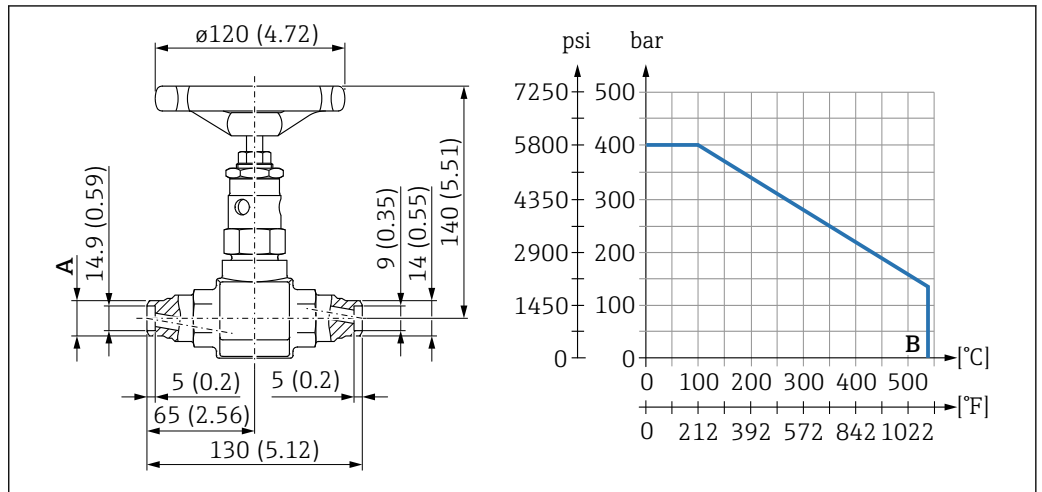
- A Inlet FNPT 1/2"; outlet FNPT 1/2"
 B Inlet nipple DIN 19207 and threaded flanges; outlet cutting ring
 C Inlet weld connection; outlet cutting ring
 D PTFE packing
 E Pure graphite packing

Technical data

Component part	"C22.8" ¹⁾	"316Ti" ²⁾
Housing	1.0460	1.4571
Bonnet	1.0501	1.4571
Valve seat	1.4571 / 1.4021	1.4571
Valve stem	1.4571 / 1.4021	1.4571
Needle tip	1.4122	1.4571
Packing ^{3) 4)}	<ul style="list-style-type: none"> PTFE up to +200 °C (+392 °F) Pure graphite up to +300 °C (+572 °F) Maximum 400 bar (5 800 psi) 	<ul style="list-style-type: none"> PTFE up to +230 °C (+446 °F) Pure graphite up to +300 °C (+572 °F) Maximum 400 bar (5 800 psi)
Union nut	Steel	1.4571
Certificate	3.1 Certificate	
Weight	A: 0.8 kg (1.76 lb); B: 1.45 kg (3.2 lb), C: 0.73 kg (1.61 lb)	

- Product Configurator: DA61V order code "260", option "C"
- Product Configurator: DA61V order code "260", option "D"
- Pay attention to the pressure and temperature limits of the measuring device!
- The pressure and temperature limits of the assembly are related to one another (see pressure and temperature chart).

Shutoff assembly with integrated bonnet, high-temperature version



Unit of measurement mm (in)

- A Weld connection, inlet 21.3 mm (0.84 in) or 17.2 mm (0.68 in); weld connection, outlet 14 mm (0.55 in)
 B Pure graphite packing

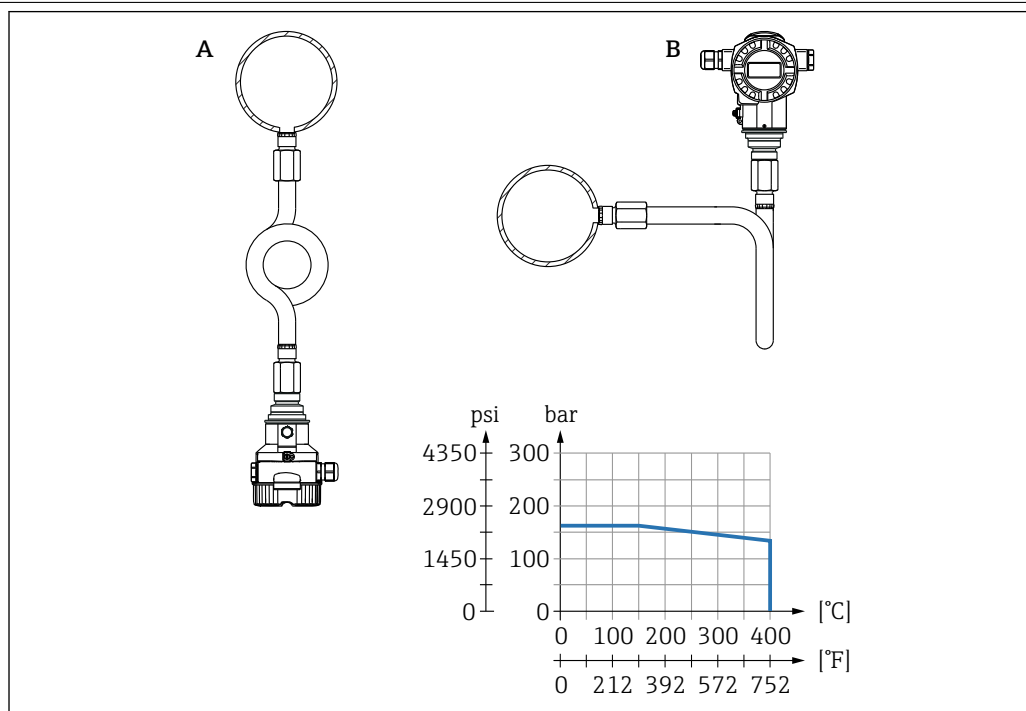
Technical data

Component part	"16Mo3" ¹⁾
Housing	1.5415
Bonnet	1.7709
Valve seat	1.4021
Valve stem	1.4021
Needle tip	1.4122
Packing ^{2) 3)}	<ul style="list-style-type: none"> ■ Pure graphite: up to +530 °C (+986 °F) ■ Maximum 400 bar (5 800 psi)
Union nut	Steel
Certificate	3.1 Certificate
Weight	1.6 kg (3.53 lb)

- 1) Product Configurator: DA61V order code "260", option "G"
- 2) Pay attention to the pressure and temperature limits of the measuring device!
- 3) The pressure and temperature limits of the assembly are related to one another (see pressure and temperature chart).

PZW: Siphons for Cerabar and Ceraphant

Overview



- A O-shaped siphon. Suitable for vertical installation.
 B U-shaped siphon. Suitable for horizontal installation.

Use

Siphons according to DIN 16282 are used to cool the medium. Suitable for liquids, gases and vapors.



Use for:

PMP51, PMP71; PMC51, PMC71; PMP51B, PMP71B; PMC51B, PMC71B

Function

The pressure transmitter is separated from the process by the O-shaped pipe (vertical installation) or the U-shaped pipe (horizontal installation). In the event of damp gases and vapor, condensate also forms, causing an additional temperature reduction in relation to the process.

Pressure measurement in vapors

Use siphons for pressure measurement in vapors. The siphon reduces the temperature to almost ambient temperature. Fill the siphon with liquid before commissioning. Preferably mount the device with the siphon below the tapping point.

Advantages:

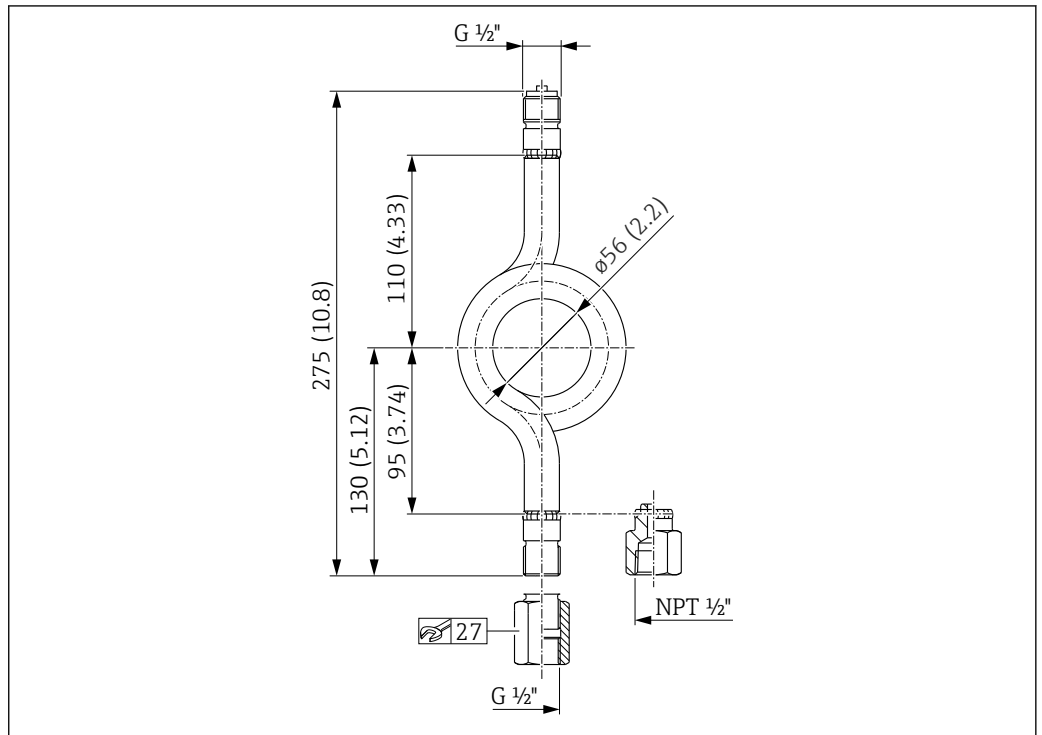
- Defined water column only causes minimal/negligible measured errors
- Only minimal/negligible thermal effects on the device

Mounting above the tapping point is also possible. Note the max. permitted ambient temperature of the device!

Cooling effect

The cooling effect depends on the pressure, medium and ambient temperature. Average cooling effect for gases: 50 to 100 °C (122 to 212 °F) (The cooling effect only applies to gases and not to vapors)

Siphons - O-shaped



A0024011

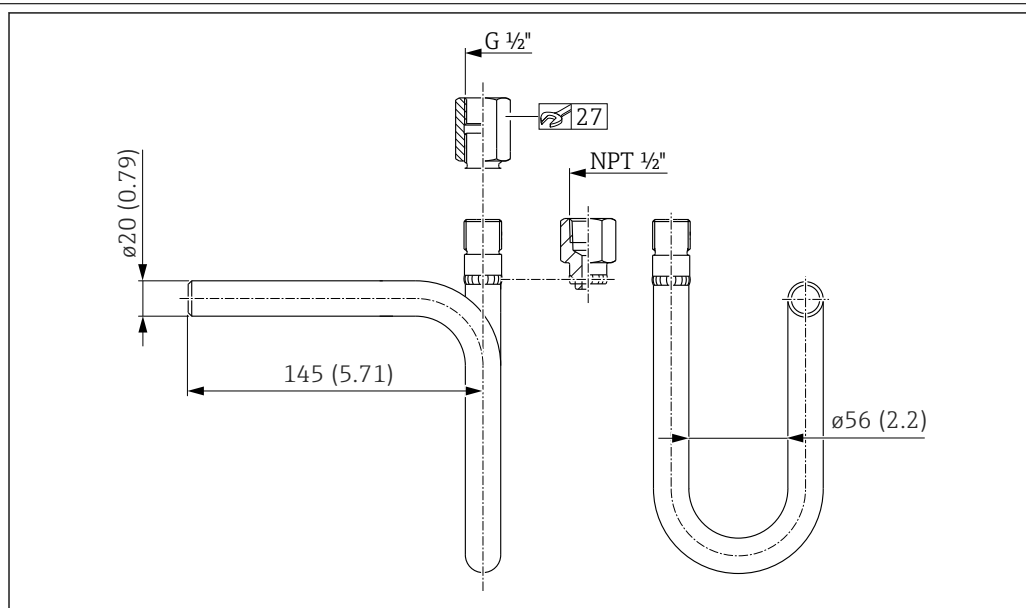
Unit of measurement mm (in)

Technical data

Component part	"St35.8" ¹⁾	"316Ti" ²⁾
Transmitter side x process side	<ul style="list-style-type: none"> ▪ FNPT 1/2" x MNPT 1/2" ▪ FNPT 1/2" x weld connection ▪ G 1/2" female x G 1/2" ▪ G 1/2" female x weld connection 	
Pipe	ST35.8	316Ti
Maximum operating pressure	104 bar (1 508 psi) at 400 °C (752 °F)	
upstream from siphon (process side)	120 bar (1 740 psi) at 300 °C (572 °F)	
at maximum operating temperature ³⁾	160 bar (2 320 psi) at 120 °C (248 °F)	
Additional options	Basic model	<ul style="list-style-type: none"> ▪ Basic model ▪ EN10204-3.1 certificate

- 1) Product Configurator: PZW order code "030", option "2" and order code "040", option "1"; PMP51, PMC51, PMP55, PMP51B, PMP71B, PMC51B, PMC71B order code "620", option "P4"
- 2) Product Configurator: PZW order code "030", option "2" and order code "040", option "2"; PMP51, PMC51, PMP55, PMP51B, PMP71B, PMC51B, PMC71B order code "620", option "P4"
- 3) Pay attention to the pressure and temperature limits of the measuring device!

U-shaped siphons



A0024012

Unit of measurement mm (in)

Technical data

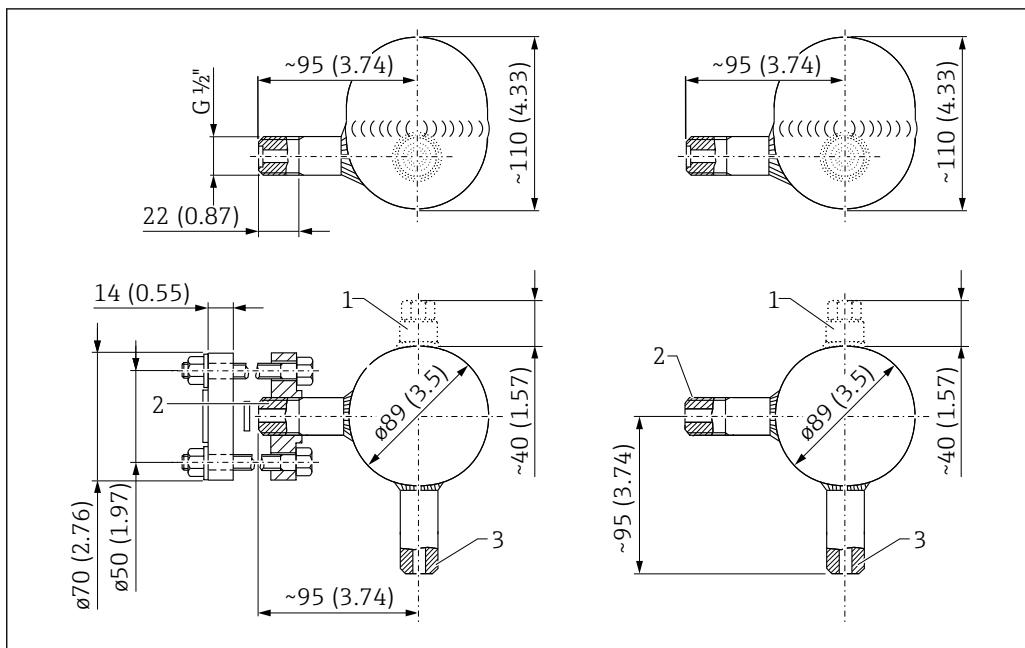
Component part	"St35.8" ¹⁾	"316Ti" ²⁾
Transmitter side x process side	<ul style="list-style-type: none"> ▪ FNPT 1/2" x MNPT 1/2" ▪ FNPT 1/2" x weld connection ▪ G 1/2" female x G 1/2" ▪ G 1/2" female x weld connection 	
Pipe	ST35.8	316Ti
Maximum operating pressure	104 bar (1 508 psi) at 400 °C (752 °F)	
upstream from siphon (process side)	120 bar (1 740 psi) at 300 °C (572 °F)	
at maximum operating temperature ³⁾	160 bar (2 320 psi) at 120 °C (248 °F)	
Additional options	Basic model	<ul style="list-style-type: none"> ▪ Basic model ▪ EN10204-3.1 certificate

1) Product Configurator: PZW order code "030", option "1" and order code "040", option "1"; PMP51, PMC51, PMP55, PMP51B, PMP71B, PMC51B and PMC71B order code "620", option "P4"

2) Product Configurator: PZW order code "030", option "1" and order code "040", option "2"; PMP51, PMC51, PMP55, PMP51B, PMP71B, PMC51B and PMC71B order code "620", option "P4"

3) Pay attention to the pressure and temperature limits of the measuring device!

DA61C: Condensate pot for steam applications



A0027980

Unit of measurement mm (in)

- 1 Filling cap, NPT 1/2 (optional)
- 2 From the primary device
- 3 To the differential pressure transmitter


Use For flow and level measurement applications in order to maintain constant conditions in the condensate columns. Excess condensate can flow back into the main pipe or vessel.

Design Hot-pressed hemispherical heads welded together.

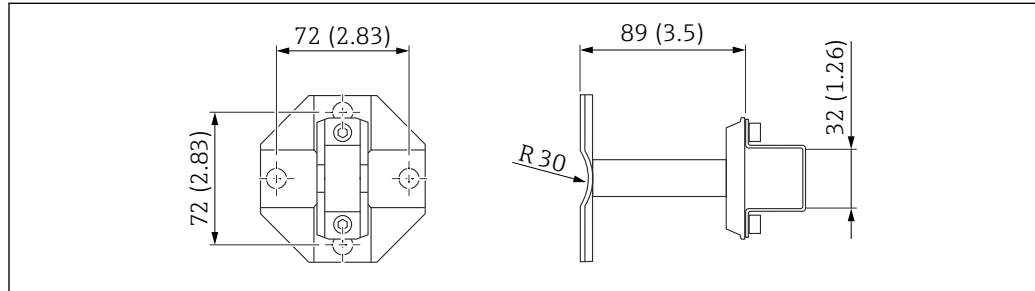
Component part	"H11 (265 GH)" ¹⁾	"316L" ²⁾	"16Mo3" ³⁾
Weight	1.7 kg (3.8 lb)		2.2 kg (4.9 lb)
Volume	300 cm ³		250 cm ³
Pressure, temperature ⁴⁾	PN 100, 300 °C (572 °F)	PN 100, 400 °C (752 °F)	PN 250, 500 °C (932 °F)
Filling cap	NPT 1/2"		
Input	<ul style="list-style-type: none"> ▪ Weld connection 21.3 mm (0.84 in) ▪ Nipple, weld connection 17.2 mm (0.68 in) ▪ G 1/2" DIN 19207 steel ▪ G 1/2" DIN 19207 stainless steel 		
Outlet	<ul style="list-style-type: none"> ▪ Weld connection 21.3 mm (0.84 in) ▪ Nipple, 12 mm (0.47 in) ▪ Nipple G 1/2" DIN 19207 		
Certificate	3.1 Certificate		

- 1) Product Configurator: DA61C order code "200", option "B"
- 2) Product Configurator: DA61C order code "200", option "C"
- 3) Product Configurator: DA61C order code "200", option "K"
- 4) Pay attention to the pressure and temperature limits of the measuring device!

Mounting bracket for DA63M

Use If the transmitter is mounted on a shutoff device (e.g. manifold or shutoff valve), it is advisable to use the holder provided for this purpose. This makes it easier to disassemble the transmitter. Alternatively, the transmitter can be mounted directly via a mounting bracket (→  34).

Mounting bracket for block & bleed valve The block & bleed valve can be mounted on walls or pipes with the mounting bracket.



A0030607

Unit of measurement mm (in)

The mounting bracket set contains:

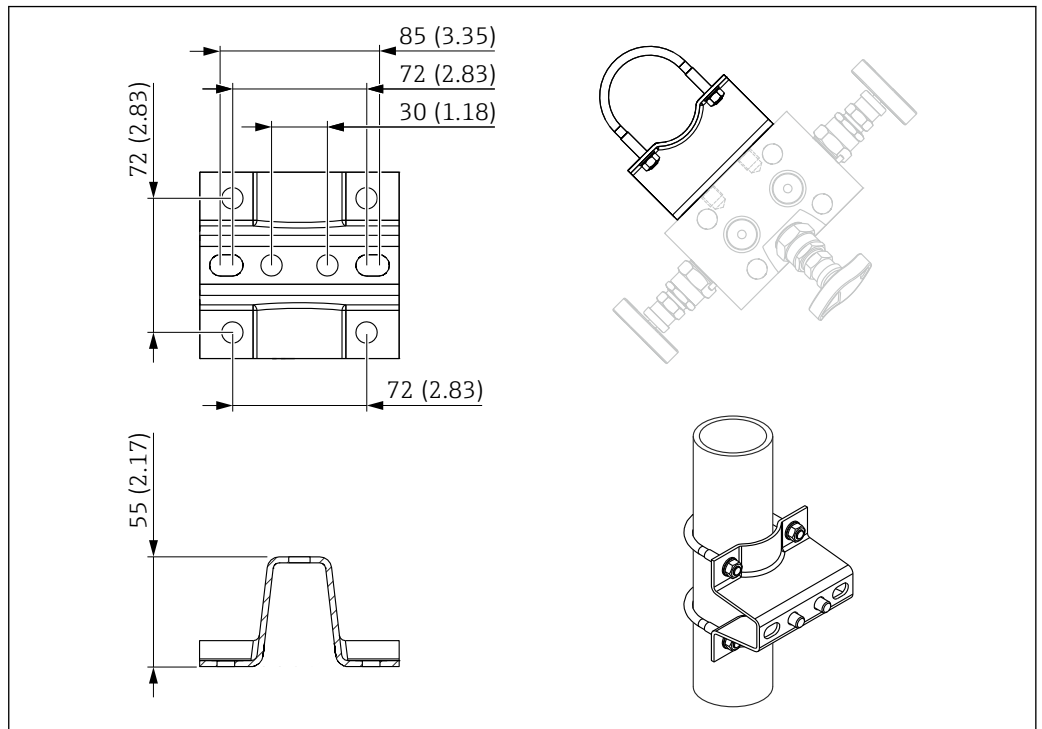
- 1 mounting bracket
- 1 U-bolt
- 2 Allen screws ISO4762 - M6x10
- 1 U-fixing bracket M8 for 2" pipe
- 2 washers 8.4 DIN 125-B
- 2 hexagonal nuts DIN EN 24032-M8

Ordering information

- Order number: 71372498
- Product Configurator: DA63M order code "540", option "EC"

Mounting bracket for 3-valve and 5-valve manifold

If the transmitter is mounted on a shutoff device (e.g. manifold or shutoff valve), it is advisable to use the holder provided for this purpose. This makes it easier to disassemble the transmitter.



Unit of measurement mm (in)

The mounting bracket set contains:

- 1 mounting bracket
- 2 "U" bolts
- 4 washers – 8.4
- 4 hexagonal nuts M8
- 2 washers – 10.5
- 2 hexagonal-headed bolts M10x14
- 2 hexagonal-headed bolts 3/8-16 UNC x 5/8"

Ordering information

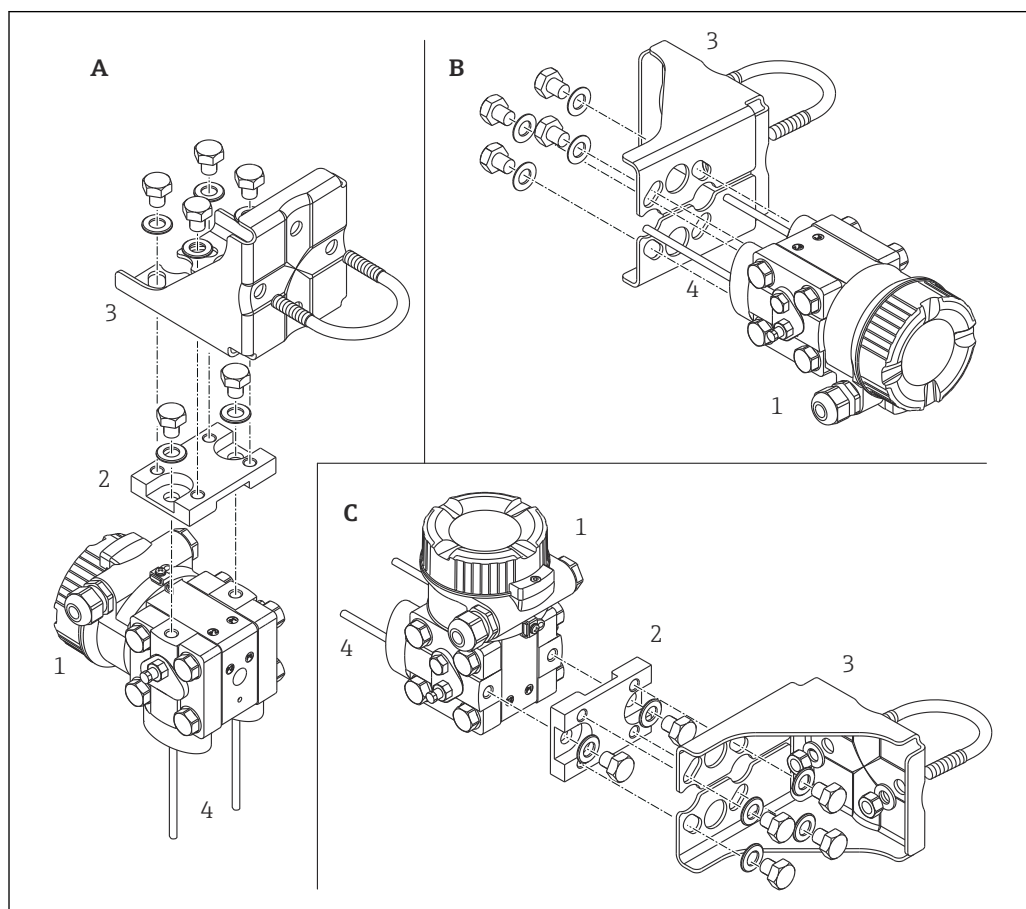
Order number:

- Steel: 71271156
- Stainless steel: 71372499
- Product Configurator: DA63M order code "540", option "EA" or "EB".

Mounting bracket for Deltabar

Typical installation arrangements

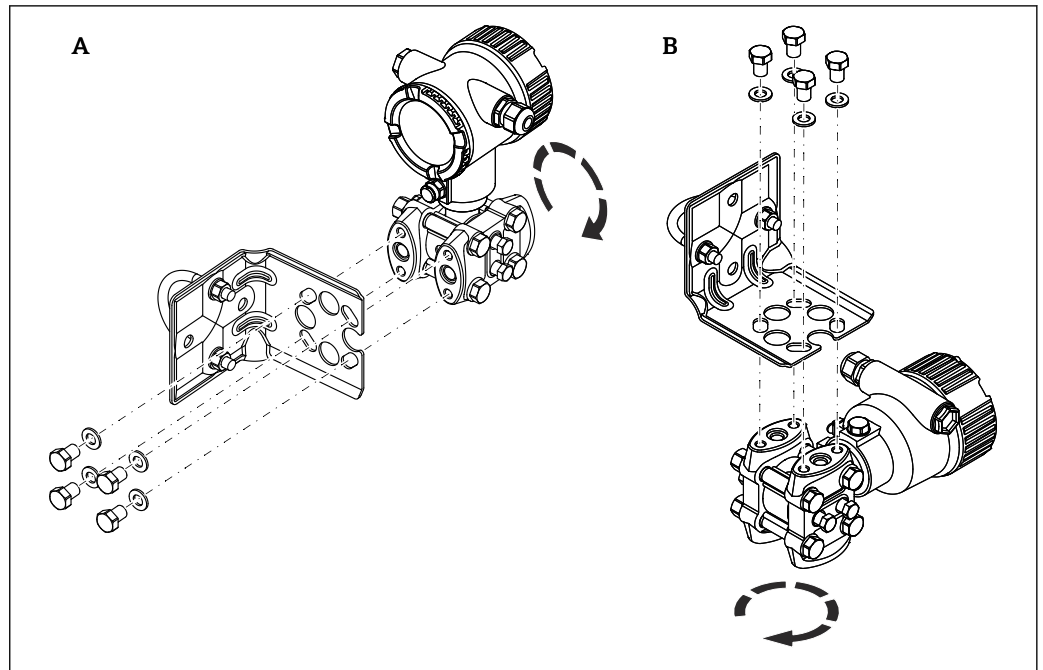
Deltabar PMD55



A0023109

- A Impulse line vertical, version V1, alignment 90°
 B Impulse line horizontal, version H1, alignment 180°
 C Impulse line horizontal, version H2, alignment 90°
 1 Measuring device
 2 Adapter plate
 3 Mounting bracket
 4 Pressure line

Deltabar PMD75, PMD55B and PMD75B



A0043325

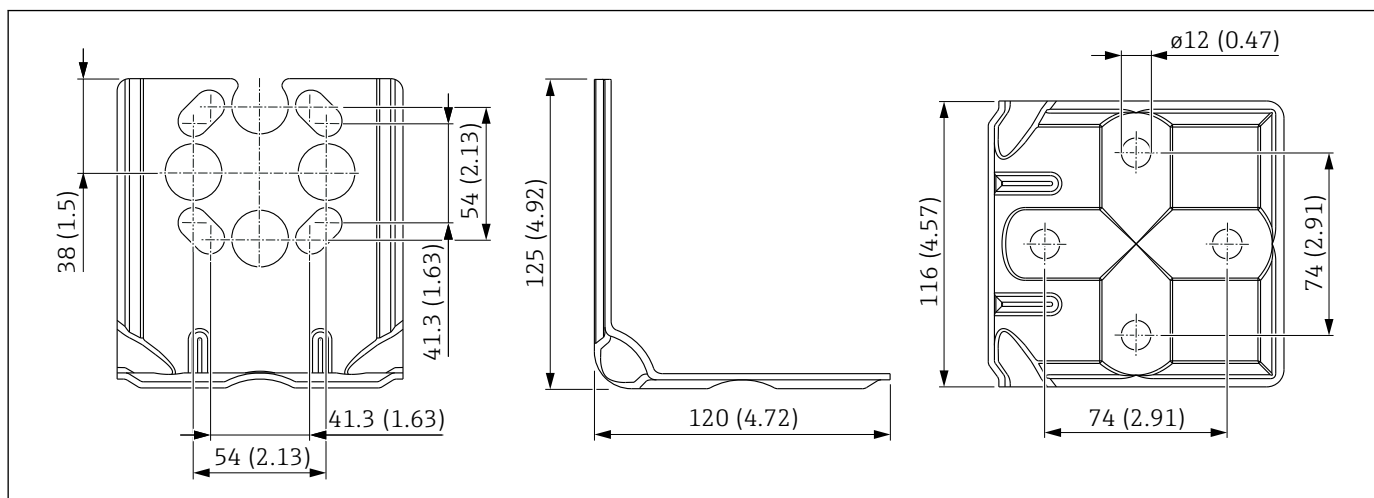
1 Can be arranged in 90° stages

A Illustrative arrangement

B Illustrative arrangement

Standard version

Mounting bracket for wall and pipe mounting including retaining bracket for pipe mounting and 2 nuts.



A0027981

Unit of measurement mm (in)

Ordering information Deltabar PMD55 and PMD55B

Component part	Material	Screw version ¹⁾	Accessory and spare part number
Mounting bracket with screws	Mounting bracket: 316L (1.4404) Screws: A4-70	<ul style="list-style-type: none"> ▪ 7/16 UNF ▪ M10 	<ul style="list-style-type: none"> ▪ 71381907 ▪ 71435883
Adapter plate with screws	Adapter plate: AISI 316L Screws: A4-70	<ul style="list-style-type: none"> ▪ 7/16 UNF ▪ M10 	<ul style="list-style-type: none"> ▪ 71098632 ▪ 71101935
Screw set including washers	Screws: A4-70	<ul style="list-style-type: none"> ▪ 7/16 UNF ▪ M10 	<ul style="list-style-type: none"> ▪ 943153-0031 ▪ 943153-0011

1) Depends on the selected process connection

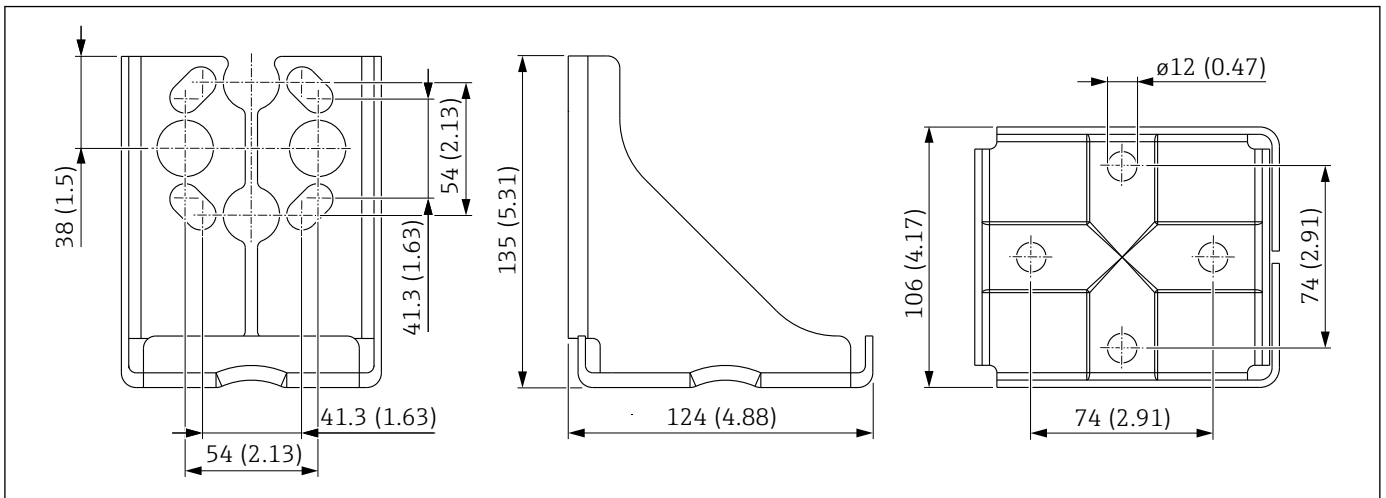
Ordering information Deltabar PMD75 and PMD75B

Component part	Material	Screw version ¹⁾	Accessory and spare part number
Mounting bracket with screws	Mounting bracket: 316L (1.4404) Screws: A4-70	<ul style="list-style-type: none"> ▪ 7/16 UNF ▪ M10 ▪ M12 	<ul style="list-style-type: none"> ▪ 71381907 ▪ 71435883 ▪ 71435884
Screw set including washers	Screws: A4-70	<ul style="list-style-type: none"> ▪ 7/16 UNF ▪ M10 ▪ M12 	<ul style="list-style-type: none"> ▪ 943153-0031 ▪ 943153-0011 ▪ 943153-0021

1) Depends on the selected process connection

Heavy-duty version

Mounting bracket for wall and pipe mounting including retaining bracket for pipe mounting and two nuts.



A0028156

Unit of measurement mm (in)

Ordering information for Deltabar M PMD55

Component part	Material	Screw version ¹⁾	Accessory and spare part number
Mounting bracket with screws	Mounting bracket: 316L (1.4404) Screws: A4-70	<ul style="list-style-type: none"> ■ 7/16 UNF ■ M10 	<ul style="list-style-type: none"> ■ 52024609 ■ 52024611
Adapter plate with screws	Adapter plate: AISI 316L Screws: A4-70	<ul style="list-style-type: none"> ■ 7/16 UNF ■ M10 	<ul style="list-style-type: none"> ■ 71098632 ■ 71101935
Screw set including washers	Screws: A4-70	<ul style="list-style-type: none"> ■ 7/16 UNF ■ M10 	<ul style="list-style-type: none"> ■ 943153-0031 ■ 943153-0011

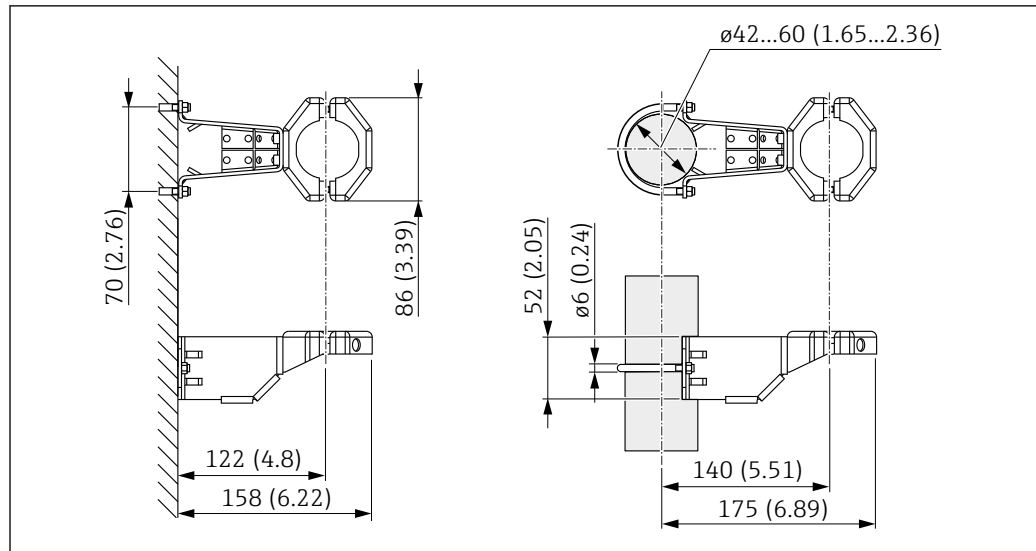
1) Depends on the selected process connection

Ordering information for Deltabar S PMD75

Component part	Material	Screw version ¹⁾	Accessory and spare part number
Mounting bracket with screws	Mounting bracket: 316L (1.4404) Screws: A4-70	<ul style="list-style-type: none"> ■ 7/16 UNF ■ M10 ■ M12 	<ul style="list-style-type: none"> ■ 52024609 ■ 52024611 ■ 52024610
Screw set including washers	Screws: A4-70	<ul style="list-style-type: none"> ■ 7/16 UNF ■ M10 ■ M12 	<ul style="list-style-type: none"> ■ 943153-0031 ■ 943153-0011 ■ 943153-0021

1) Depends on the selected process connection

Mounting bracket for Cerabar and Deltapilot



A0028493

Unit of measurement mm (in)

Material: 316L (1.4404)

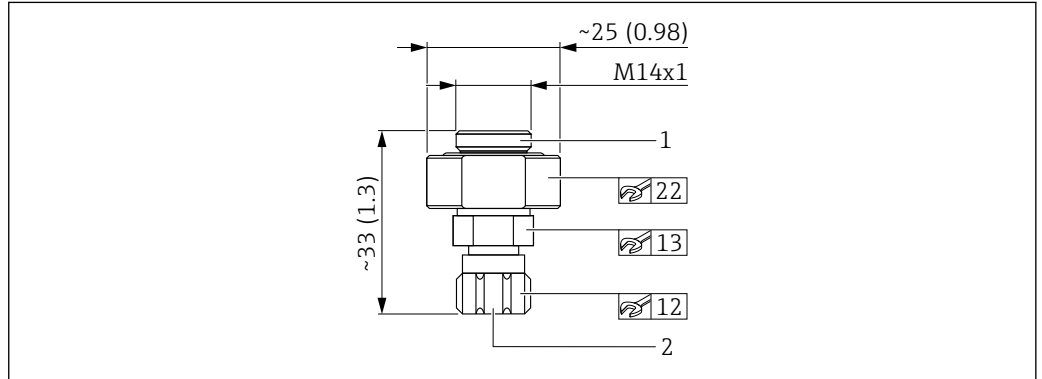
Ordering information

- Order number: 71102216
- Product Configurator: order code "620", option "PA"

Test adapter for Waterpilot and Deltapilot

Use Test adapter for level probe for functional testing or calibration under pressure.

Test adapter Test adapter for level probe with outer diameter 22 mm (0.87 in) or 29 mm (1.14 in)

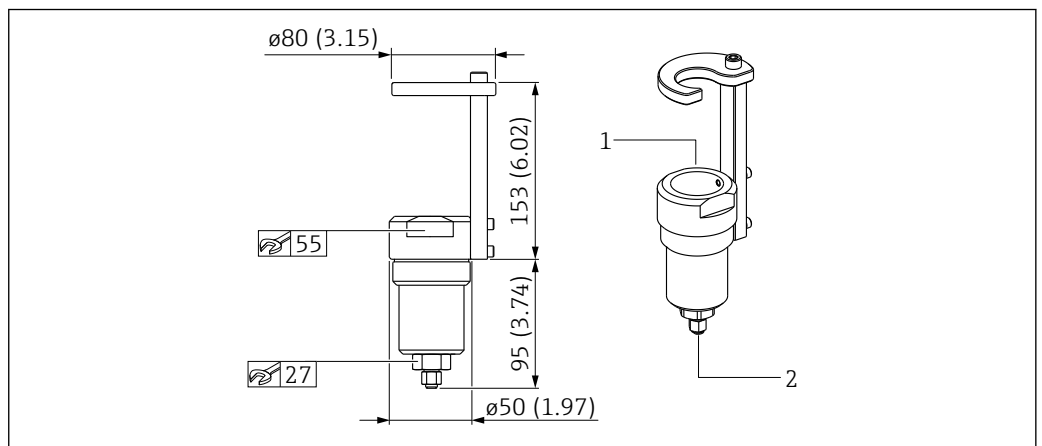


Unit of measurement mm (in)

- 1 Level probe connection
- 2 Compressed air hose connection, internal diameter, quick coupling piece 4 mm (0.16 in)

- Observe the maximum pressure for compressed air hose and maximum overload for level probe
- Maximum pressure for the quick coupling piece provided: 10 bar (145 psi)
- Adapter material: 304 (1.4301)
- Material of quick coupling piece: anodized aluminum
- Order number 52011868

Test adapter for level probe with outer diameter 42 mm (1.65 in)



Unit of measurement mm (in)

- 1 Level probe connection
- 2 Compressed air hose connection

- Observe the maximum pressure for compressed air hose and maximum overload for level probe
- Maximum pressure for the quick coupling piece provided: 10 bar (145 psi)
- Adapter material: 304 (1.4301)
- Material of quick coupling piece: anodized aluminum
- Order number 71110310

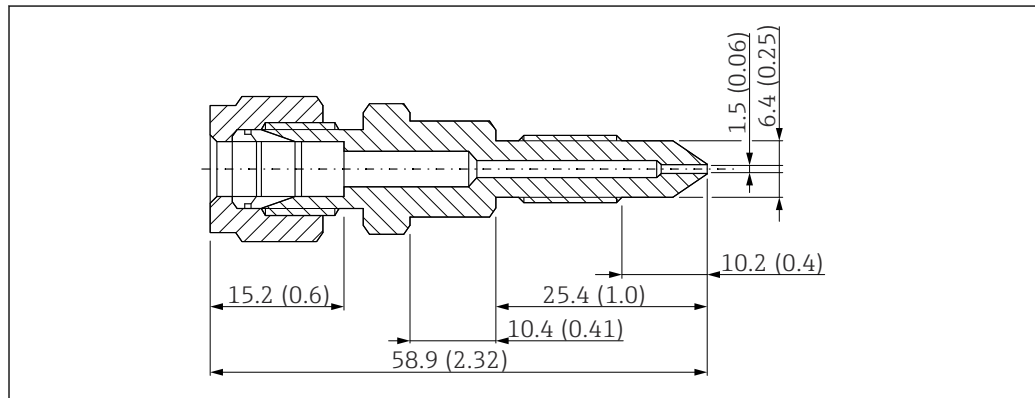
Calibration adapter $\frac{5}{16}$ " - 24 UNF for Deltabar

Use Calibration adapter for connecting an external pressure calibrator.

Performing the calibration Performing the calibration

1. Unscrew the stem of the vent valve from the differential pressure transmitter
2. Screw in the calibration adapter
3. Establish a connection from the adapter to the pressure calibrator

Calibration adapter



A0043688

Unit of measurement mm (in)

- Order number: 71413097
- Product Configurator: order code "620", option "Q7"

Cable shortening kit for Waterpilot and Deltapilot

Use

The cable shortening kit is used to shorten a cable easily and professionally.

Ordering information for Waterpilot

Order number: 71222671

Ordering information: Product Configurator, order code for "Accessories enclosed" option "PW"

Associated documentation SD00552P/00/A6.



The cable shortening kit is not designed for the FMX21 with FM/CSA approval.

Ordering information for Deltapilot

Order number: 71125862

Ordering information: Product Configurator, order code for "Accessories enclosed" option "PW"

Associated documentation SD00553P/00/A6.

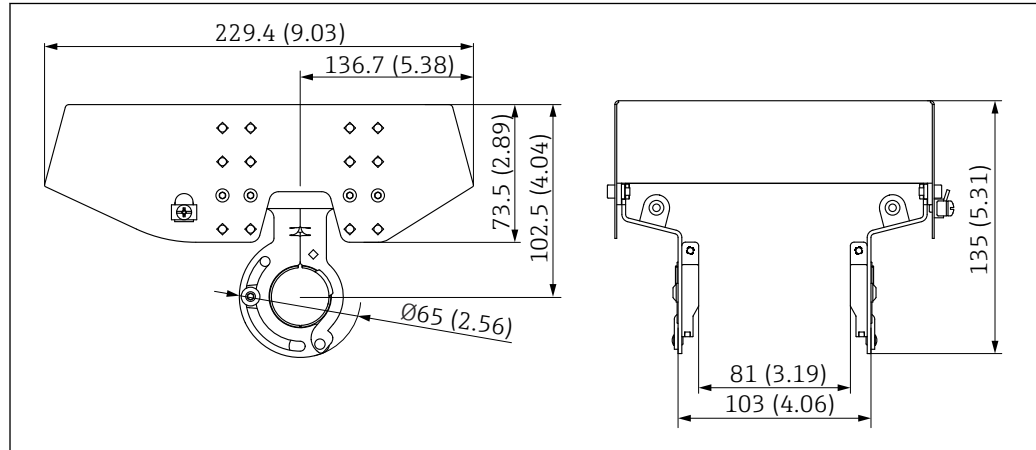
Weather protection cover

Weather protection cover
316L

Use

To protect the transmitter from direct sunshine, precipitation and ice.

Overview



A0039231

Unit of measurement mm (in)

Weather protection cover for aluminum or 316L dual compartment housing. Including bracket for direct installation on the transmitter housing.

Technical data

Materials:

- Weather protection cover: 316L
- Clamping screw: A4
- Bracket: 316L

For further information please contact your local Endress+Hauser Sales Center.

Ordering information

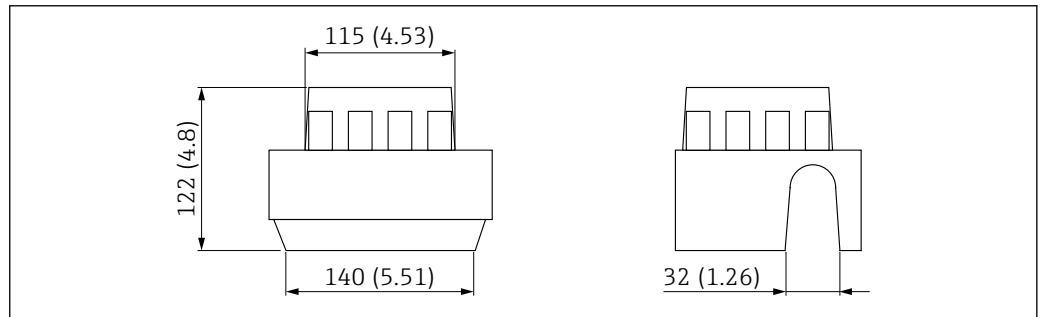
- Order number: 71438303
- Product Configurator: order code "620", option "PA"

Plastic weather protection cover

Use

To protect the transmitter from direct sunshine, precipitation and ice.

Overview



Unit of measurement mm (in)

A0038280

Weather protection cover for aluminum single compartment housing. Including bracket for direct installation on the transmitter housing.

Technical data

Material: plastic

For further information please contact your local Endress+Hauser Sales Center.

Ordering information

- Order number: 71438291
- Product Configurator: order code "620", option "PB"

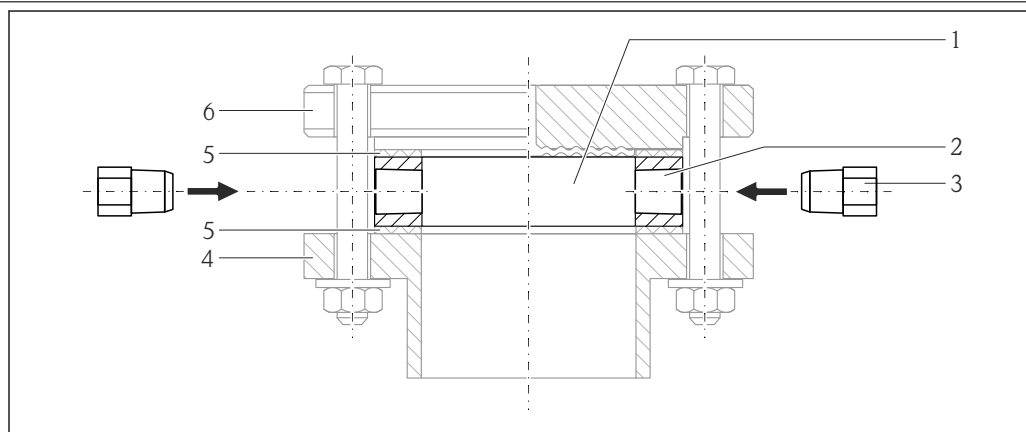
Welding flanges and weld-in adapters

For details refer to TI00426F "Weld-in adapters, process adapters and flanges".

Flushing rings

Use flushing rings if there is a risk of medium buildup or clogging at the process connection. The flushing ring is fitted between the process connection and the process connection provided by the customer. Using the two lateral flushing holes, medium buildup or clogging in front of the process isolating diaphragm can be rinsed away and the pressure chamber vented. Various nominal widths and forms allow adaption to the respective process flange.

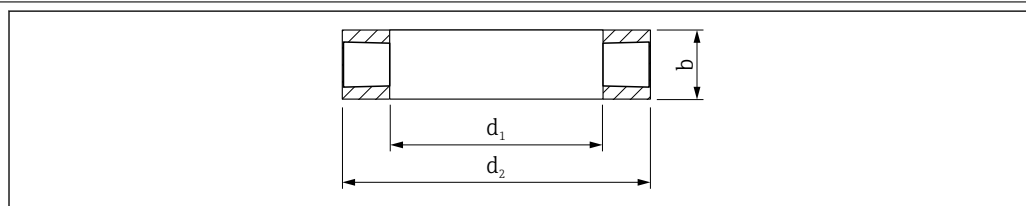
Overview



A0034643

- 1 Flushing ring
- 2 Flushing hole
- 3 Locking screws 1/2 NPT (use suitable sealing material!)
- 4 Process connection provided by customer
- 5 Seals
- 6 Process connection of measuring device

Technical data



A0034648

Material	Nominal diameter	Nominal pressure ¹⁾	d ₁	d ₂	b	Weight
AISI 316L	EN1092-1		[mm]	[mm]	[mm]	[kg (lb)]
	DN25	PN16-400	30	68	30	0.72 kg (1.59 lb)
	DN50	PN16-400	63	102	30	1.24 kg (2.73 lb)
	DN80	PN16-400	93	138	30	1.96 kg (4.32 lb)
	ASME B16.5		[in]	[in]	[in]	
	NPS 1"	Class 150-2500	1.18	2.2	1.18	0.56 kg (1.23 lb)
	NPS 2"	Class 150-2500	2.44	3.62	1.18	1.00 kg (2.21 lb)
	NPS 3"	Class 150-2500	3.62	5	1.18	1.56 kg (3.44 lb)

- 1) The specified nominal pressure applies to the flushing ring. The maximum pressure for the measuring device is dependent on the lowest-rated element, with regard to pressure, of the selected components.

Rinse connection

- ASME FNPT 1/2
- 2 x thread (use suitable sealing material!)
- Including 2 lock screws, 316L

Ordering information

Cerabar

Flushing rings can be ordered as a separate accessory or as an order option for the device.



Use for:

- PMP55, PMP75
- PMC51B, PMC71B, PMP51B, PMP71B



Select the corresponding option in the order codes in the Product Configurator.

Material	Nominal diameter	Approval	Accessory ¹⁾ Part number
AISI 316L	EN1092-1		
	DN25 ²⁾	-	71377379
	DN50 ³⁾	-	71377380
	DN80 ⁴⁾	-	71377383
	ASME B16.5		
	NPS 1" ⁵⁾	CRN	71377369
	NPS 2" ⁶⁾	CRN	71377370
	NPS 3" ⁷⁾	CRN	71377371

- 1) Inspection certification according to EN10204-3.1 material
- 2) Product Configurator: PMP55, PMP75 order code "620", option "PO"; PMC51B, PMC71B, PMP51B, PMP71B order code "620", option "RD"
- 3) Product Configurator: PMP55, PMP75 order code "620", option "PP"; PMC51B, PMC71B, PMP51B, PMP71B order code "620", option "RE"
- 4) Product Configurator: PMP55, PMP75 order code "620", option "PQ"; PMC51B, PMC71B, PMP51B, PMP71B order code "620", option "RF"
- 5) Product Configurator: PMP55, PMP75 order code "620", option "PK"; PMC51B, PMC71B, PMP51B, PMP71B order code "620", option "RA"
- 6) Product Configurator: PMP55, PMP75 order code "620", option "PL"; PMC51B, PMC71B, PMP51B, PMP71B order code "620", option "RB"
- 7) Product Configurator: PMP55, PMP75 order code "620", option "PM"; PMC51B, PMC71B, PMP51B, PMP71B order code "620", option "RC"

Deltabar

Flushing rings can be ordered as a separate accessory or as an order option for the device.



Use for:

- FMD77, FMD78, FMD71, FMD72 and PMD78B



Select the corresponding option in the order codes in the Product Configurator.

Material	Nominal diameter	Approval	Accessory ¹⁾ Part number
AISI 316L	EN1092-1		
	DN50 ²⁾	-	71377380
	DN80 ³⁾	-	71377383
	ASME B16.5		
	NPS 2" ⁴⁾	CRN	71377370
	NPS 3" ⁵⁾	CRN	71377371

- 1) Inspection certification according to EN10204-3.1 material
- 2) Product Configurator: FMD77, FMD78 order code "620", option "PP"; PMD78B order code "620", option "RE"
- 3) Product Configurator: FMD77, FMD78 order code "620", option "PQ"; PMD78B order code "620", option "RF"
- 4) Product Configurator: FMD77, FMD78 order code "620", option "PL"; PMD78B order code "620", option "RB"
- 5) Product Configurator: FMD77, FMD78 order code "620", option "PM"; PMD78B order code "620", option "RC"

Ordering information

Detailed ordering information is available for your nearest sales organization www.addresses.endress.com or in the Product Configurator under www.endress.com :

1. Click Corporate
2. Select the country
3. Click Products
4. Select the product using the filters and search field
5. Open the product page

The Configuration button to the right of the product image opens the Product Configurator.



Product Configurator - the tool for individual product configuration

- Up-to-the-minute configuration data
- Depending on the device: Direct input of measuring point-specific information such as measuring range or operating language
- Automatic verification of exclusion criteria
- Automatic creation of the order code and its breakdown in PDF or Excel output format
- Ability to order directly in the Endress+Hauser Online Shop

Supplementary documentation

Field of Activities

Pressure measurement, powerful instruments for process pressure, differential pressure, level and flow:

FA00004P/00/

Field of Activities

System components and data manager solutions to complete your measuring point:

FA00016K/09/



www.addresses.endress.com
