

# Model C802 DeepWater 4-20 mA Tiltmeter

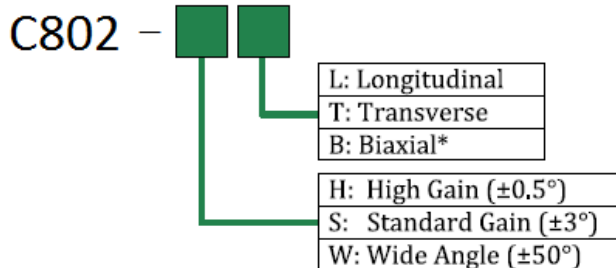
The model C802 Deepwater is a high-precision submersible tiltmeter for use in marine, offshore, and deep ocean applications with 4-20mA output. Using an absolute gravity referenced electrolytic sensor, the C802 delivers superior measurement accuracy with virtually no long-term drift. High-gain units are sensitive to <math><0.0017\text{ mm/m}</math> or better. All units are rated to +2500m waterproof for advanced protection from the elements. Use the D802 “DeepWater” for structural monitoring, angle measurement and control, platform leveling, and more.



	High-Gain	Standard	Wide-Angle
Angular Range	$\pm 0.5^\circ$	$\pm 3.0^\circ$	$\pm 50^\circ$
Resolution	$<0.0001^\circ$	$0.0006^\circ$	$0.01^\circ$
Repeatability	$<0.0002^\circ$	$0.001^\circ$	$0.02^\circ$
Non-Linearity	1%	2%	0.5%
Scale Factor	$0.0625^\circ/\text{mA}$	$0.375^\circ/\text{mA}$	$6.25^\circ/\text{mA}$
Kz Temp Coefficient (deg/C)	$\pm 0.0002^\circ/\text{C}$ (typical)		$\pm 0.002^\circ/\text{C}$ (typical)
Ks Temp Coefficient (%/°C)	$<0.04\%/^\circ\text{C}$ (typical)		$<0.1\%/^\circ\text{C}$ (typical)
Time Constant	0.15 sec		
Output	4-20mA Two-wire current loop (per axis)		
Channels	Tilt, Temperature		
Output Impedance	270 ohms		
Temperature Output	$0.1^\circ\text{C}/\text{mV}$ typical (single ended; $0^\circ\text{C} = 0\text{mV}$ )		
Power	$(0.02\text{ Ampere} \times R + 10\text{ VDC}) < V_s < 29\text{ VDC}$		
Environmental	-40 to +85°C operation and storage. IP65		
Dimensions	120 x 80 x 60 mm, 5 kg (11 lb.)		
Materials	316 SS (6AL-4V Titanium also available)		
Cable	6-conductors, Neoprene, 20 AWG, no shield		

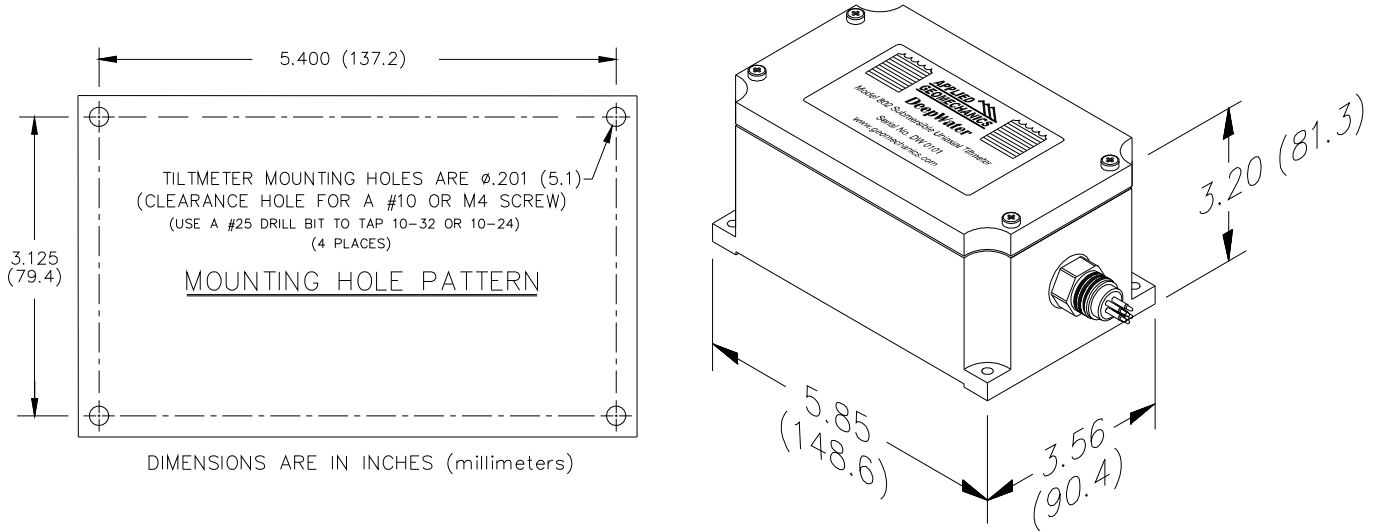
*Specifications subject to change without notice on account of continued product development*

### Ordering Code:

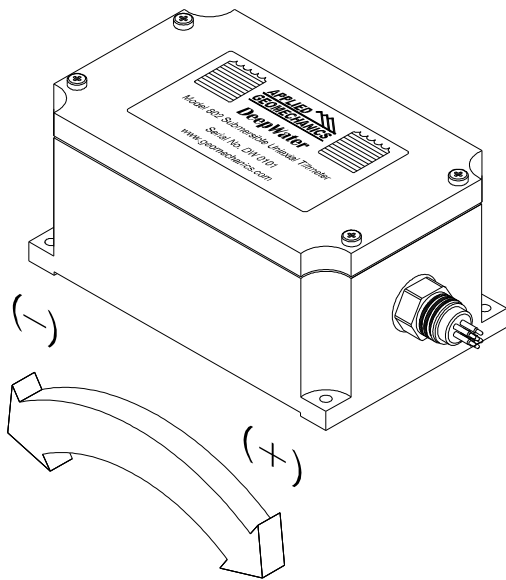


## Model C802 DeepWater 4-20 mA Tiltmeter

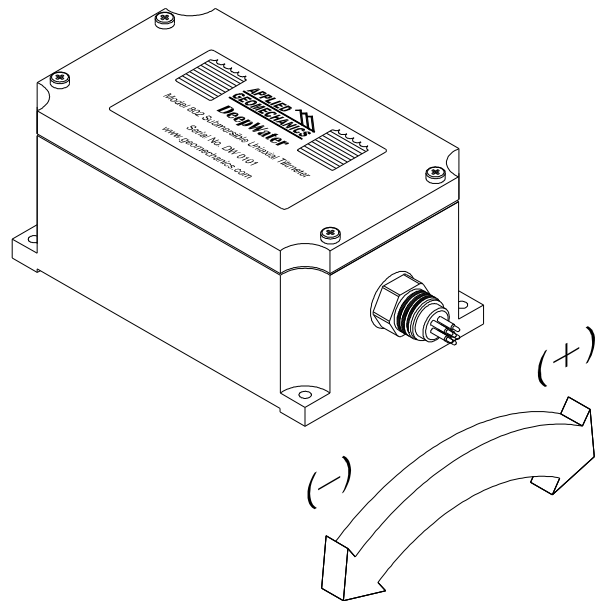
### Dimensions:



### Axis Configuration:



LONGITUDINAL  
CONFIGURATION

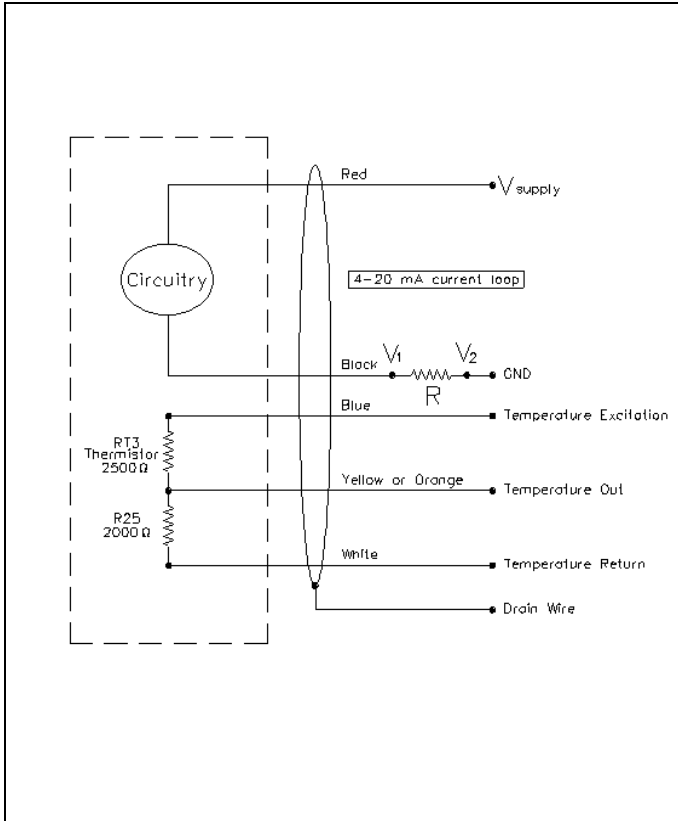


TRANSVERSE  
CONFIGURATION

# Model C802 DeepWater 4-20 mA Tiltmeter

## Circuit Diagram:

Model C802 (Uniaxial Versions)



Model C802 (Biaxial Versions)

