



OPTISONIC 3400 Handbook

Multi purpose, all-round, ultrasonic flowmeter for liquids in all industrial processes

ER 2.2.7_

All rights reserved. It is prohibited to reproduce this documentation, or any part thereof, without the prior written authorisation of KROHNE Messtechnik GmbH.

Subject to change without notice.

Copyright 2015 by
KROHNE Messtechnik GmbH - Ludwig-Krohne-Str. 5 - 47058 Duisburg (Germany)

1	Safety instructions	7
<hr/>		
1.1	Software history	7
1.2	Intended use	8
1.3	Certification	8
1.4	Safety instructions from the manufacturer	9
1.4.1	Copyright and data protection	9
1.4.2	Disclaimer	9
1.4.3	Product liability and warranty	10
1.4.4	Information concerning the documentation	10
1.4.5	Warnings and symbols used	11
1.5	Safety instructions for the operator	11
2	Device description	12
<hr/>		
2.1	Scope of delivery	12
2.2	Device description	13
2.2.1	Field housing	14
2.3	Nameplates	15
2.3.1	Example of nameplate for the compact version	15
2.3.2	Nameplate for the measuring sensor (field version)	16
2.3.3	Examples of nameplates on the signal converter (field version)	16
3	Installation	18
<hr/>		
3.1	General notes on installation	18
3.2	Storage	18
3.3	Transport	18
3.4	Pre-installation requirements	19
3.5	General requirements	19
3.5.1	Vibration	19
3.6	Installation conditions	20
3.6.1	Inlet and outlet	20
3.6.2	Bends in 2 or 3 dimensions	20
3.6.3	T-section	20
3.6.4	Bends	21
3.6.5	Open feed or discharge	21
3.6.6	Position of pump	22
3.6.7	Control valve	22
3.6.8	Down going pipeline over 5 m /16 ft length	23
3.6.9	Insulation	23
3.7	Mounting	24
3.7.1	Flange deviation	24
3.7.2	Mounting position	24
3.8	Rotation of the compact converter housing	25
3.9	Mounting the field housing, remote version	25
3.9.1	Pipe mounting	25
3.9.2	Turning the display of the field housing version	26
4	Electrical connections	27
<hr/>		

4.1	Safety instructions.....	27
4.2	Signal cable (remote versions only).....	27
4.3	Power supply	29
4.4	Laying electrical cables correctly	30
4.5	Inputs and outputs, overview	31
4.5.1	Combinations of the inputs/outputs (I/Os)	31
4.5.2	Description of the CG number	32
4.5.3	Fixed, non-alterable input/output versions.....	33
4.5.4	Alterable input/output versions.....	34
4.6	Description of the inputs and outputs.....	35
4.6.1	Control input	35
4.6.2	Current output	36
4.6.3	Pulse and frequency output.....	37
4.6.4	Status output and limit switch.....	38
4.7	Connection diagrams of inputs and outputs	39
4.7.1	Important notes.....	39
4.7.2	Description of the electrical symbols.....	40
4.7.3	Basic inputs/outputs.....	41
4.7.4	Modular inputs/outputs and bus systems.....	44
4.7.5	Ex i inputs/outputs	51
4.7.6	HART® connection	54
5	Start-up.....	55
5.1	Starting the signal converter	55
5.2	Switching on the power	55
6	Operation.....	56
6.1	Display and operating elements	56
6.1.1	Display in measuring mode with 2 or 3 measured values	57
6.1.2	Display for selection of submenu and functions, 3 lines	58
6.1.3	Display when setting parameters, 4 lines	58
6.1.4	Display when previewing parameters, 4 lines.....	59
6.1.5	Using an IR interface (option)	59
6.2	Menu structure.....	60
6.3	Function tables	63
6.3.1	Menu A, Quick Setup.....	63
6.3.2	Menu B; test	65
6.3.3	Menu C; setup	66
6.3.4	Set free units.....	77
6.4	Description of functions	78
6.4.1	Reset totaliser in the menu "Quick Setup"	78
6.4.2	Deleting error messages in the menu "Quick Setup"	78
6.4.3	Diagnosis messages	79
6.4.4	Optical keys	79
6.4.5	Graphic page	79
6.4.6	Save settings	79
6.4.7	Load settings.....	79
6.4.8	Passwords.....	80
6.4.9	Date and time	80
6.4.10	Quick Access	80

6.4.11 Low flow cutoff	80
6.4.12 Time constant	81
6.4.13 Dual phase pulse output	81
6.4.14 Timeouts in programming mode	81
6.4.15 Output hardware	81
6.5 Status messages and diagnostic information	82
7 Service	89
7.1 Spare parts availability	89
7.2 Availability of services	89
7.3 Returning the device to the manufacturer	89
7.3.1 General information	89
7.3.2 Form (for copying) to accompany a returned device	90
7.4 Disposal	90
8 Technical data	91
8.1 Measuring principle	91
8.2 Technical data	92
8.3 Dimensions and weights	104
8.3.1 Variants	104
8.3.2 Standard flow sensor	105
8.3.3 Variant flow sensor; XXT - High Viscosity and Cryogenic (SS) versions.	111
8.3.4 Signal converter housing	117
8.4 Pressure derating	118
9 Description of HART interface	119
9.1 General description	119
9.2 Software history	119
9.3 Connection variants	120
9.3.1 Point-to-Point connection - analogue / digital mode	121
9.3.2 Multi-Drop connection (2-wire connection)	122
9.3.3 Multi-Drop connection (3-wire connection)	123
9.4 Inputs/outputs and HART [®] dynamic variables and device variables	124
9.5 Remote operation	125
9.5.1 Online/offline operation	125
9.5.2 Parameters for the basic configuration	126
9.5.3 Units	126
9.6 Field Communicator 375/475 (FC 375/475)	126
9.6.1 Installation	126
9.6.2 Operation	127
9.7 Asset Management Solutions (AMS)	128
9.7.1 Installation	128
9.7.2 Operation	128
9.8 Process Device Manager (PDM)	129
9.8.1 Installation	129
9.8.2 Operation	129
9.9 Field Device Manager (FDM)	130
9.9.1 Installation	130

9.9.2 Operation.....	130
9.10 Field Device Tool Device Type Manager (FDT DTM)	130
9.10.1 Installation	130
9.10.2 Operation.....	130
9.11 HART Menu Tree; UFC400.....	131
9.11.1 HART Menu Tree - Field Communicator HART Application.....	131
9.11.2 HART Menu Tree AMS - Device's context menu	132
9.11.3 HART Menu Tree PDM - Menu Bar and Working Window	133
9.11.4 HART Menu Tree FDM - Device Configuration	134
9.11.5 Description of used abbreviations	134
9.11.6 Process Variables Root Menu.....	135
9.11.7 Process Variables Root Menu Charts.....	136
9.11.8 Diagnostic Root Menu	138
9.11.9 Device Root Menu.....	140
9.11.10 Offline Root Menu.....	143
10 Notes	146

1.1 Software history

For all GDC devices, the "Electronic Revision" (ER) is consulted to document the revision status of the electronics according to NE 53. It is easy to see from the ER whether any fault repairs or major changes to the electronic equipment have taken place and what effect they have had on compatibility.

Changes and effect on compatibility

1	Downwards compatible changes and fault repair with no effect on operation (e.g. spelling mistakes on display)	
2- _	Downwards compatible hardware and/or software change of interfaces:	
	H	HART® Version 7
	P	PROFIBUS
	F	Foundation Fieldbus
	M	Modbus
X	all interfaces	
3- _	Downwards compatible hardware and/or software change of inputs and outputs:	
	I	Current output
	F, P	Frequency / pulse output
	S	Status output
	C	Control input
X	all inputs and outputs	
4	Downwards compatible changes with new functions	
5	Incompatible changes, i.e. electronic equipment must be changed.	



INFORMATION!

In the table below, "x" is a placeholder for possible multi-digit alphanumeric combinations, depending on the available version.

Release date	Electronic Revision	Changes and compatibility	Documentation
2013-04	ER 2.2.0_		MA OPTISONIC 3400 R01
2013-09	ER 2.2.1_	1	MA OPTISONIC 3400 R02
2014-05	ER 2.2.2_	1	MA OPTISONIC 3400 R03
2014-05	ER 2.2.2_	1	MA OPTISONIC 3400 R03
2014-06	ER 2.2.3_	1	MA OPTISONIC 3400 R03
not released	ER 2.2.4_ & ER 2.2.5_		
2014-07	ER 2.2.6_	1	MA OPTISONIC 3400 R03
2014-08	ER 2.2.7_	1	MA OPTISONIC 3400 R03

1.2 Intended use

**CAUTION!**

Responsibility for the use of the measuring devices with regard to suitability, intended use and corrosion resistance of the used materials against the measured fluid lies solely with the operator.

**INFORMATION!**

The manufacturer is not liable for any damage resulting from improper use or use for other than the intended purpose.

The **OPTISONIC 3400** is designed exclusively for measurements on conductive and / or non-conductive fluids, in closed completely filled pipeline circuits. Excess of contaminations (gas, particles, 2 phases) disturb the acoustic signal and thus must be avoided.

The overall functionality of the **OPTISONIC 3400** flowmeter, is the continuous measurement of actual volume flow, mass flow, flow speed, velocity of sound, gain, SNR, totalized flow mass and diagnosis values.

1.3 Certification

CE marking



The device fulfils the statutory requirements of the following EC directives:

- EMC Directive 2004/108/EC in conjunction with EN 61326-1: 2006
- Low Voltage Directive 2006/95/EC in conjunction with EN 61010-1: 2010
- NAMUR NE 21/04

The manufacturer certifies successful testing of the product by applying the CE marking.

**DANGER!**

For devices used in hazardous areas, additional safety notes apply; please refer to the Ex documentation.

1.4 Safety instructions from the manufacturer

1.4.1 Copyright and data protection

The contents of this document have been created with great care. Nevertheless, we provide no guarantee that the contents are correct, complete or up-to-date.

The contents and works in this document are subject to copyright. Contributions from third parties are identified as such. Reproduction, processing, dissemination and any type of use beyond what is permitted under copyright requires written authorisation from the respective author and/or the manufacturer.

The manufacturer tries always to observe the copyrights of others, and to draw on works created in-house or works in the public domain.

The collection of personal data (such as names, street addresses or e-mail addresses) in the manufacturer's documents is always on a voluntary basis whenever possible. Whenever feasible, it is always possible to make use of the offerings and services without providing any personal data.

We draw your attention to the fact that data transmission over the Internet (e.g. when communicating by e-mail) may involve gaps in security. It is not possible to protect such data completely against access by third parties.

We hereby expressly prohibit the use of the contact data published as part of our duty to publish an imprint for the purpose of sending us any advertising or informational materials that we have not expressly requested.

1.4.2 Disclaimer

The manufacturer will not be liable for any damage of any kind by using its product, including, but not limited to direct, indirect or incidental and consequential damages.

This disclaimer does not apply in case the manufacturer has acted on purpose or with gross negligence. In the event any applicable law does not allow such limitations on implied warranties or the exclusion of limitation of certain damages, you may, if such law applies to you, not be subject to some or all of the above disclaimer, exclusions or limitations.

Any product purchased from the manufacturer is warranted in accordance with the relevant product documentation and our Terms and Conditions of Sale.

The manufacturer reserves the right to alter the content of its documents, including this disclaimer in any way, at any time, for any reason, without prior notification, and will not be liable in any way for possible consequences of such changes.

1.4.3 Product liability and warranty

The operator shall bear responsibility for the suitability of the device for the specific purpose. The manufacturer accepts no liability for the consequences of misuse by the operator. Improper installation or operation of the devices (systems) will cause the warranty to be void. The respective "Standard Terms and Conditions" which form the basis for the sales contract shall also apply.

1.4.4 Information concerning the documentation

To prevent any injury to the user or damage to the device it is essential that you read the information in this document and observe applicable national standards, safety requirements and accident prevention regulations.

If this document is not in your native language and if you have any problems understanding the text, we advise you to contact your local office for assistance. The manufacturer can not accept responsibility for any damage or injury caused by misunderstanding of the information in this document.

This document is provided to help you establish operating conditions, which will permit safe and efficient use of this device. Special considerations and precautions are also described in the document, which appear in the form of icons as shown below.

1.4.5 Warnings and symbols used

Safety warnings are indicated by the following symbols.



DANGER!

This warning refers to the immediate danger when working with electricity.



DANGER!

This warning refers to the immediate danger of burns caused by heat or hot surfaces.



DANGER!

This warning refers to the immediate danger when using this device in a hazardous atmosphere.



DANGER!

These warnings must be observed without fail. Even partial disregard of this warning can lead to serious health problems and even death. There is also the risk of seriously damaging the device or parts of the operator's plant.



WARNING!

Disregarding this safety warning, even if only in part, poses the risk of serious health problems. There is also the risk of damaging the device or parts of the operator's plant.



CAUTION!

Disregarding these instructions can result in damage to the device or to parts of the operator's plant.



INFORMATION!

These instructions contain important information for the handling of the device.



LEGAL NOTICE!

This note contains information on statutory directives and standards.



• **HANDLING**

This symbol designates all instructions for actions to be carried out by the operator in the specified sequence.

➔ **RESULT**

This symbol refers to all important consequences of the previous actions.

1.5 Safety instructions for the operator



WARNING!

*In general, devices from the manufacturer may only be installed, commissioned, operated and maintained by properly trained and authorized personnel.
This document is provided to help you establish operating conditions, which will permit safe and efficient use of this device.*

2.1 Scope of delivery



INFORMATION!

Do a check of the packing list to make sure that you have all the elements given in the order.



INFORMATION!

Inspect the packaging carefully for damages or signs of rough handling. Report damage to the carrier and to the local office of the manufacturer.



INFORMATION!

The field device will arrive in two cartons. One carton contains the converter and one carton contains the sensor.



INFORMATION!

Make sure to combine the sensor and the converter correctly, so they match by the devices serial number.

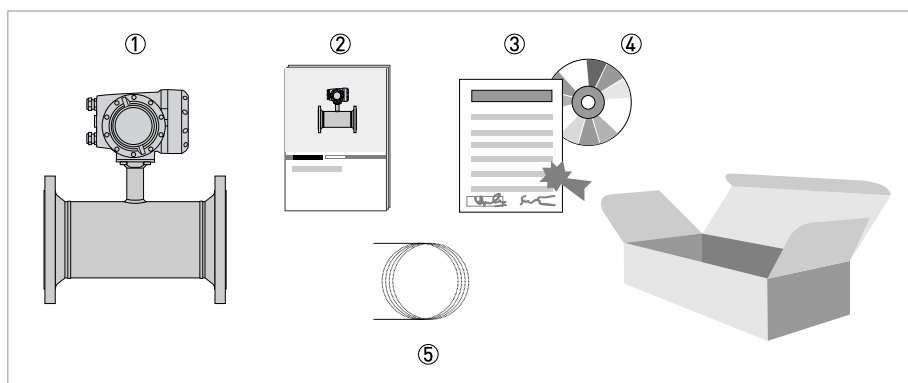


Figure 2-1: Scope of delivery - compact version

- ① Ordered flowmeter
- ② Product documentation
- ③ Factory calibration certificate
- ④ CD-ROM with product documentation in available languages
- ⑤ Signal cable (remote versions only)



INFORMATION!

Assembly materials and tools are not part of the delivery. Use the assembly materials and tools in compliance with the applicable occupational health and safety directives.

2.2 Device description

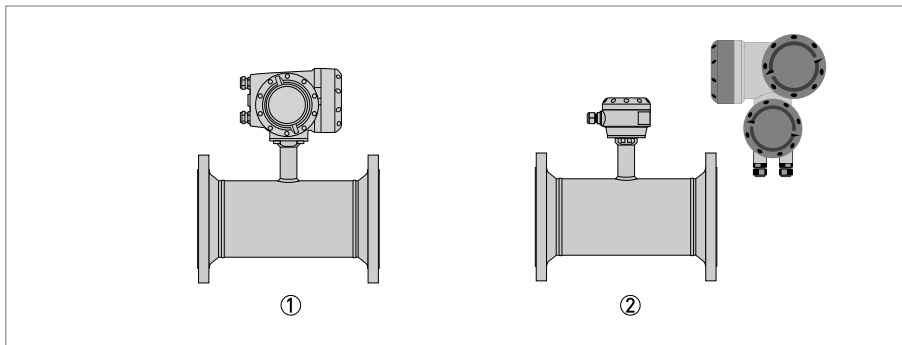
This ultrasonic flowmeter is designed for the continuous measurement of actual volume flow, mass flow, flow speed, velocity of sound, gain, SNR and diagnosis value.

Exclusively for measuring conductive and / or non-conductive fluids in closed, completely filled pipeline circuits.

Your measuring device is supplied ready for operation. The factory settings for the operating data have been made in accordance with your order specifications.

The following versions are available:

- Compact version (the signal converter is mounted directly on the measuring sensor)
- Remote version (electrical connection to the measuring sensor via signal cable)



- ① Compact version
② Remote version

2.2.1 Field housing

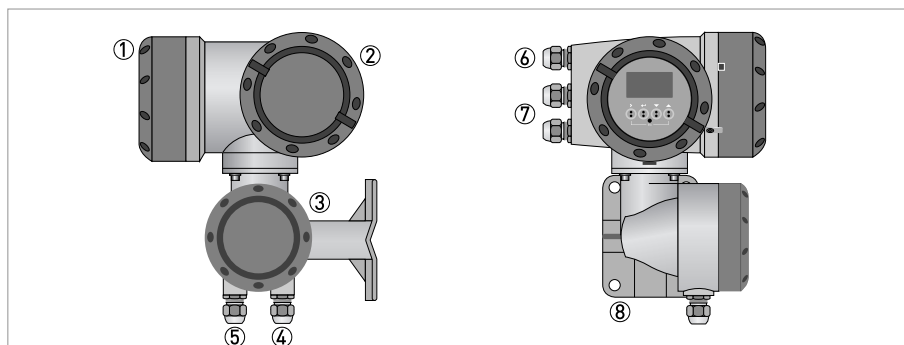


Figure 2-2: Construction of the field housing

- ① Cover for electronics and display
- ② Cover for power supply and inputs/outputs terminal compartment
- ③ Cover for measuring sensor terminal compartment
- ④ Use cable entry 4 or 5 for measuring sensor signal cable
- ⑤ [see ④]
- ⑥ Cable entry for power supply
- ⑦ Cable entry for inputs and outputs
- ⑧ Mounting plate for pipe and wall mounting



INFORMATION!

*Each time a housing cover is opened, the thread should be cleaned and greased.
Use only resin-free and acid-free grease.*

Ensure that the housing gasket is properly fitted, clean and undamaged.

2.3 Nameplates



INFORMATION!

Look at the device nameplate to ensure that the device is delivered according to your order.
Check for the correct supply voltage printed on the nameplate.

2.3.1 Example of nameplate for the compact version

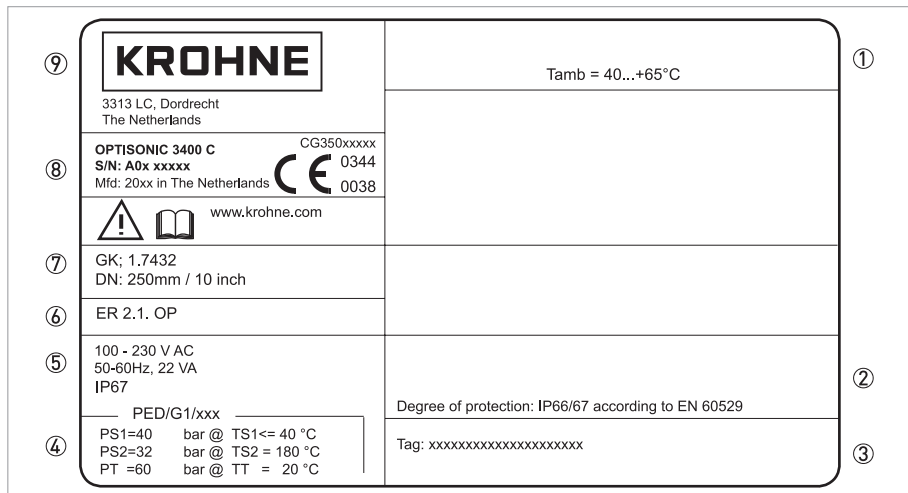
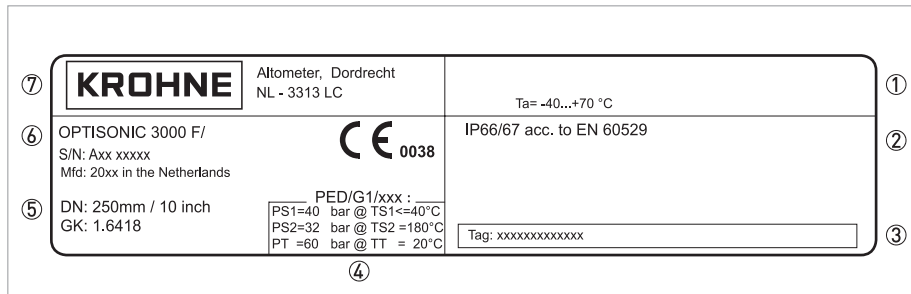


Figure 2-3: Example of nameplate for the compact version

- ① Ambient temperature
- ② Protection class
- ③ Tag number
- ④ PED data, type I / II / III or SEP
- ⑤ Mains supply data
- ⑥ Electronic revision number
- ⑦ Calibration data
- ⑧ Type designation of the flowmeter and CE sign with number(s) of notified body / bodies
- ⑨ Name and address of the manufacturer

2.3.2 Nameplate for the measuring sensor (field version)

Examples for measuring sensor versions in Standard version.



- 1. Ambient temperature
- 2. Protection class
- 3. Tag number
- 4. PED data, type I / II / II or SEP
- 5. Calibration data
- 6. Type designation of the flowmeter and CE sign with number(s) of notified body / bodies
- 7. Name and address of the manufacturer

2.3.3 Examples of nameplates on the signal converter (field version)

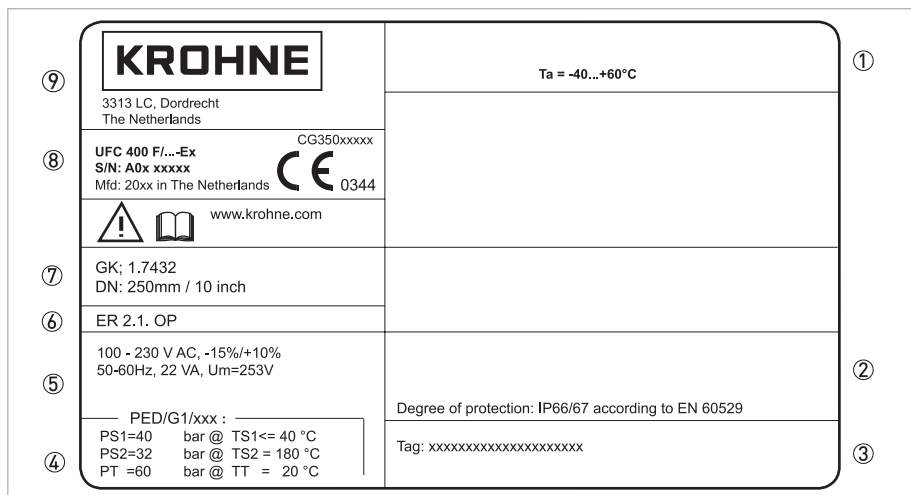


Figure 2-4: Examples of nameplates on the signal converter (field version)

- ① Ambient temperature
- ② Protection class
- ③ Tag number
- ④ PED data, type I / II / II or SEP
- ⑤ Mains supply data
- ⑥ Electronics revision numbers
- ⑦ Calibration data
- ⑧ Type designation of the flowmeter and CE sign with number(s) of notified body / bodies
- ⑨ Name and address of the manufacturer

Electrical connection data of inputs/outputs (example of basic version)

①	POWER		CG 35xxxxx S/N A13xxxxx	KROHNE
	PE (FE)			
	L(L+) N(L-)			
	A = Active P = Passive NC = Not connected			
②	INPUT / OUTPUT	D -	P	PULSE OUT / STATUS OUT I _{max} = 100 mA@f<= 10 Hz; = 20 mA@f<=12 kHz V _o = 1.5 V @ 10 mA; U _{max} = 32 VDC
		C -	P	STATUS OUT I _{max} = 100 mA; V _{max} = 32 VDC
		B -	P	STATUS OUT / CONTROL IN I _{max} = 100 mA V _{on} > 19 VDC, V _{off} < 2.5 VDC; V _{max} = 32 VDC
		A + A - A	A or P	CURRENT OUT (HART) Active (Terminals A & A+); R _{Lmax} = 1 kohm Passive (Terminals A & A-); V _{max} = 32 VDC

- ① Power supply (AC: L and N, DC: L+ and L-, PE for ≥ 24V AC, FE for ≤ 24 VAC and DC)
 ② Connection data of connection terminal D/D-
 ③ Connection data of connection terminal C/C-
 ④ Connection data of connection terminal B/B-
 ⑤ Connection data of connection terminal A/A-, A+ only operable in basic version

- A = active mode; the signal converter supplies the power for connection of the subsequent devices
- P = passive mode; external power supply required for operation of the subsequent devices
- N/C = connection terminals not connected

3.1 General notes on installation



INFORMATION!

Inspect the packaging carefully for damages or signs of rough handling. Report damage to the carrier and to the local office of the manufacturer.



INFORMATION!

Do a check of the packing list to make sure that you have all the elements given in the order.



INFORMATION!

Look at the device nameplate to ensure that the device is delivered according to your order. Check for the correct supply voltage printed on the nameplate.

3.2 Storage

- Store the device in a dry, dust-free location.
- Avoid continuous direct sunlight.
- Store the device in its original packaging.
- Storage temperature: -50...+70°C / -58...+158°F

3.3 Transport

Signal converter

- Do not lift the signal converter by the cable glands.

Measuring sensor

- Do not lift the measuring sensor by the connection box.
- Use hoisting belts only.
- To transport flange devices, use lifting straps. Wrap these around both process connections.

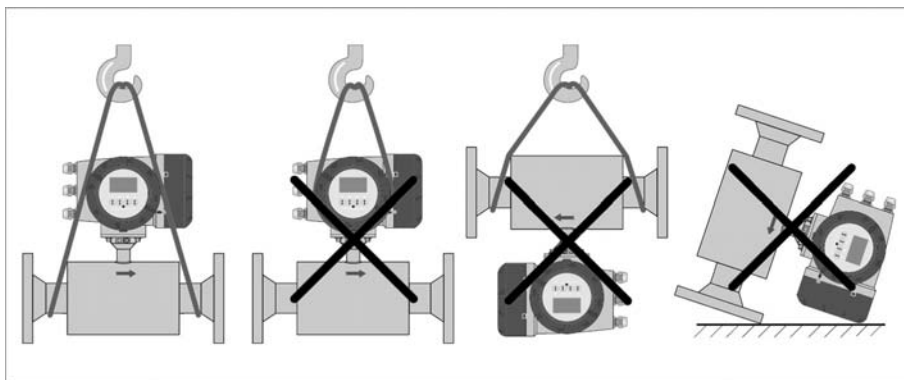


Figure 3-1: Transport

3.4 Pre-installation requirements

**INFORMATION!**

To assure a quick, safe and uncomplicated installation, we kindly request you to make provisions as stated below.

Make sure that you have all necessary tools available:

- Allen key (4 mm)
- Small screwdriver
- Wrench for cable glands
- Wrench for pipe mounting bracket (remote version only) see; on page 25
- Torque wrench for installing flowmeter in pipeline

3.5 General requirements

**INFORMATION!**

The following precautions must be taken to ensure reliable installation.

- Make sure that there is adequate space to the sides.
- Protect the signal converter from direct sunlight and install a sun shade if necessary.
- Signal converters installed in control cabinets require adequate cooling, e.g. by fan or heat exchanger.
- Do not expose the signal converter to intense vibration. The flowmeters are tested for a vibration level in accordance with IEC 68-2-6.

3.5.1 Vibration

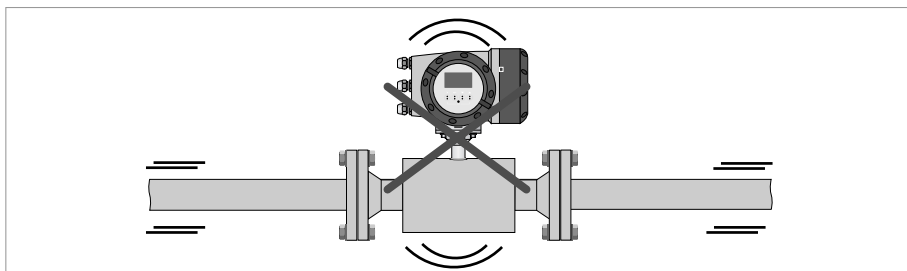


Figure 3-2: Avoid vibrations

**INFORMATION!**

In case of expected vibrations, please install a field version.

3.6 Installation conditions

3.6.1 Inlet and outlet

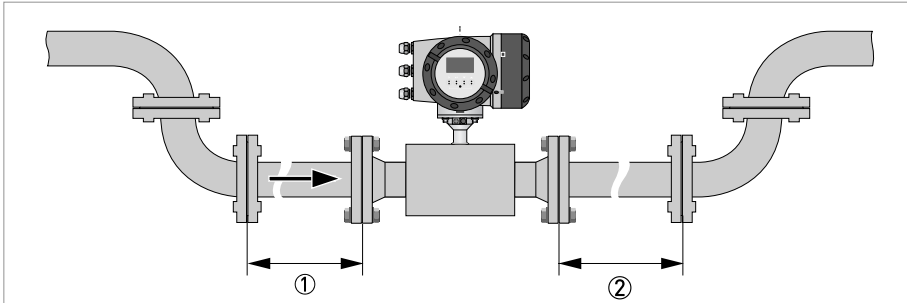


Figure 3-3: Recommended inlet and outlet

- ① Refer to chapter "Bends in 2 or 3 dimensions"
- ② ≥ 3 DN

3.6.2 Bends in 2 or 3 dimensions

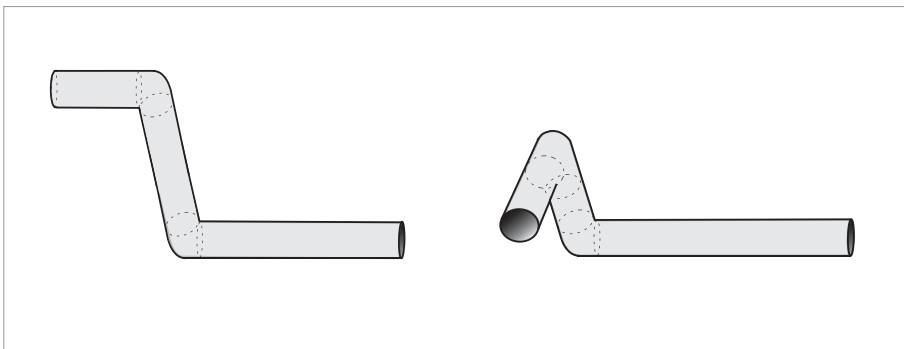


Figure 3-4: 2 and 3 dimensional bends, in front of flowmeter

- ① Bends in 2 dimensions: ≥ 5 DN; bends in 3 dimensions: ≥ 10 DN

3.6.3 T-section

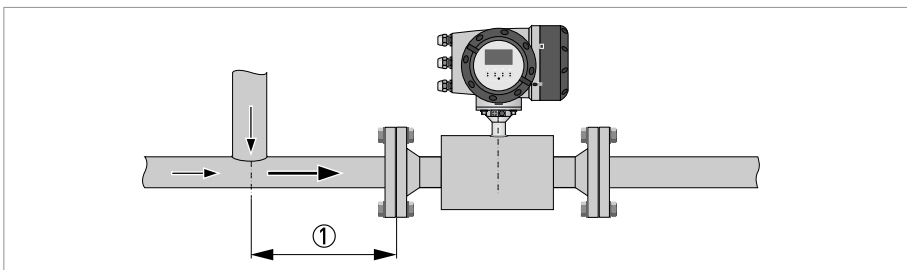


Figure 3-5: Distance behind a T-section

- ① ≥ 5 DN

3.6.4 Bends

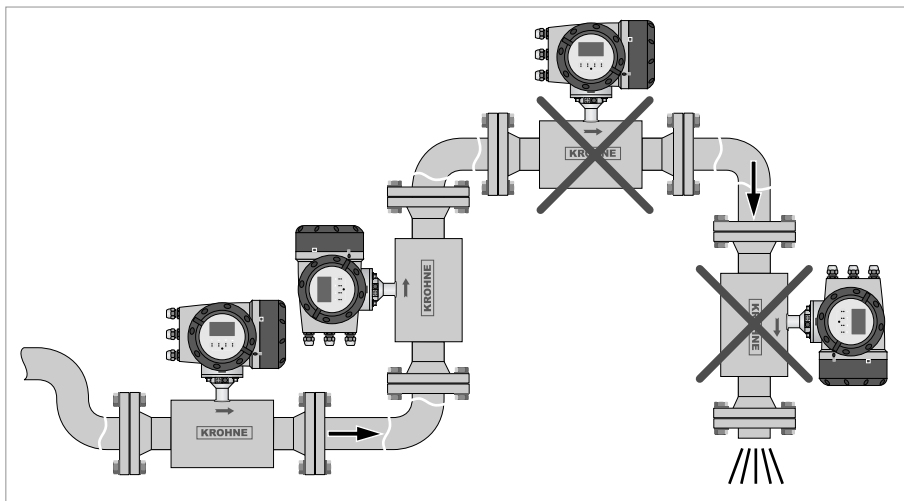


Figure 3-6: Installation in bending pipes

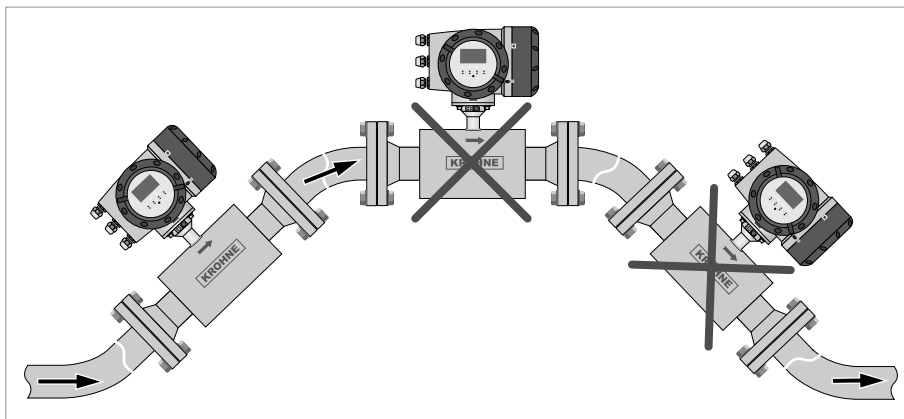


Figure 3-7: Installation in bending pipes

3.6.5 Open feed or discharge

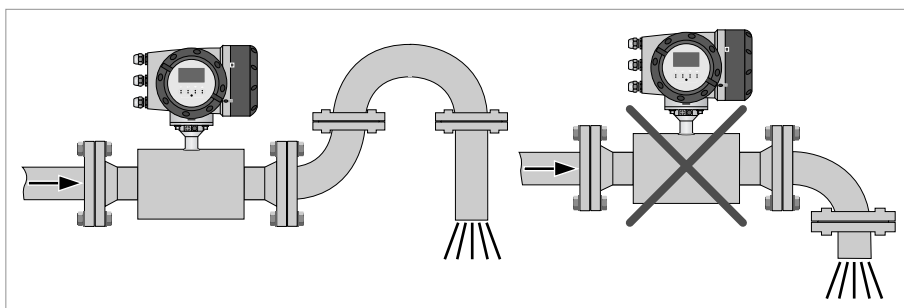


Figure 3-8: Open discharge

Install meter on a lowered section of the pipe to ensure a full pipe condition through the meter.

3.6.6 Position of pump

**CAUTION!**

Never install flowmeter at a pump suction side in order to avoid cavitation or flashing in the flowmeter.

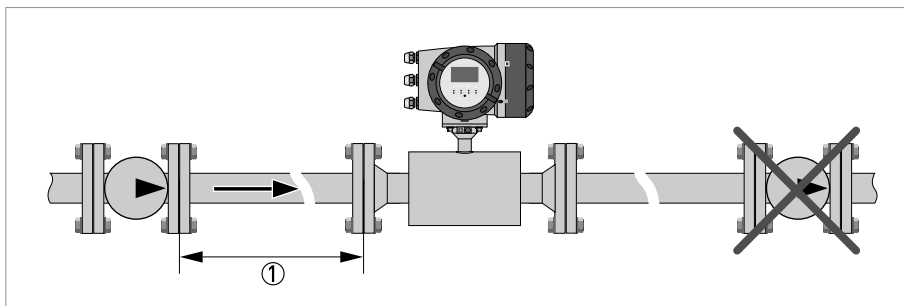


Figure 3-9: Position of pump

① ≥ 15 DN

3.6.7 Control valve

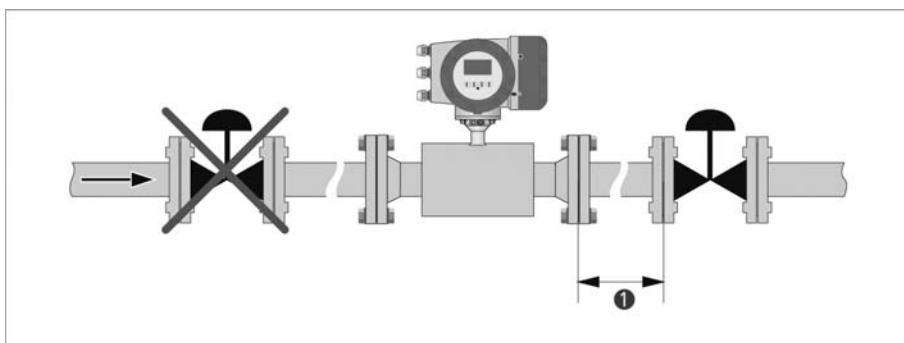


Figure 3-10: Installation in front of a control valve

① ≥ 20 DN

3.6.8 Down going pipeline over 5 m / 16 ft length

Install air vent downstream of the flowmeter to prevent vacuum. Although this will not harm the meter, it may cause gases to come out of solution (cavitate) and interfere with proper measurements.

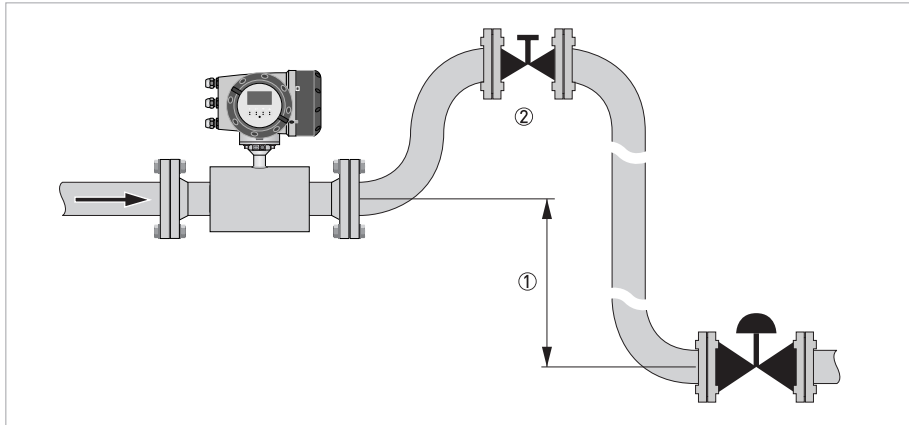


Figure 3-11: Down going pipeline over 5 m / 16 ft length

- ① ≥ 5 m / 16 ft
- ② Install air vent

3.6.9 Insulation

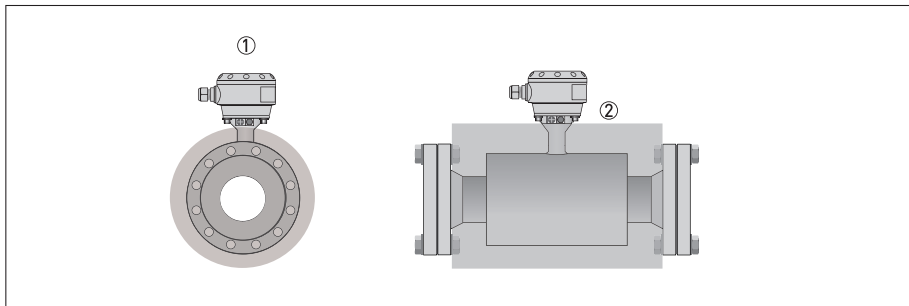


Figure 3-12: Insulation

- ① Connection box
- ② Insulation area



WARNING!

*The flow sensor can be insulated completely, except for the connection box.
(Ex: maximum temperature, refer to Ex supplement)*

For devices used in hazardous area, additional maximum temperature and insulation precautions apply. Please refer to the Ex documentation!

3.7 Mounting

3.7.1 Flange deviation



CAUTION!

Max. permissible misalignment of pipe flange faces: M_{max} 0.5 degree, according ASME B16.5 Individual flanges. See Appendix 12 ; Flange face alignment of the General Piping Requirements DEP 31.38.01.11-GEN

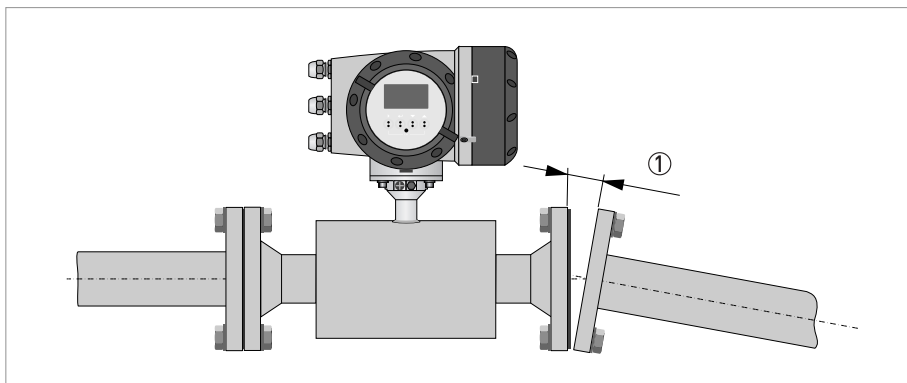


Figure 3-13: Flange deviation

① M_{max}

3.7.2 Mounting position

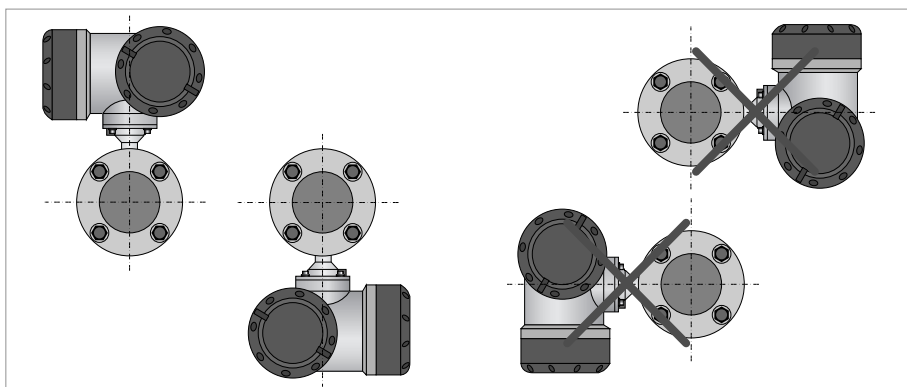


Figure 3-14: Horizontal and vertical mounting

3.8 Rotation of the compact converter housing



CAUTION!

Installing certified devices for hazardous areas

- DO NOT change the position of the converter housing of compact versions
- When not following this warning, there is a very high risk of damaging the internal cables of the device.

Installing devices for non-hazardous areas

Rotating the converter more than 90° relative to the sensor, is not recommended by the manufacturer.

3.9 Mounting the field housing, remote version



INFORMATION!

Assembly materials and tools are not part of the delivery. Use the assembly materials and tools in compliance with the applicable occupational health and safety directives.

3.9.1 Pipe mounting

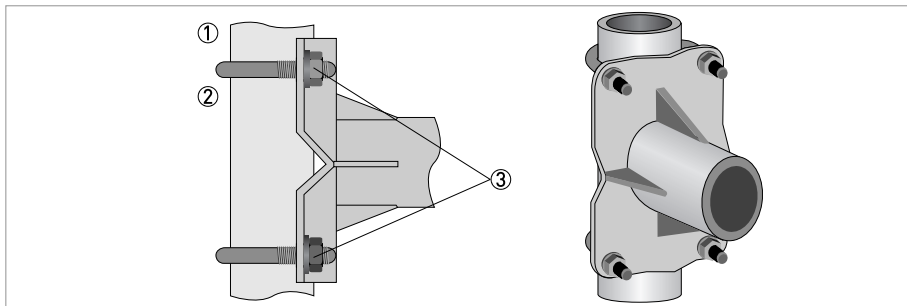


Figure 3-15: Pipe mounting of the field housing



- ① Fix the signal converter to the pipe.
- ② Fasten the signal converter using standard U-bolts and washers.
- ③ Tighten the nuts.

3.9.2 Turning the display of the field housing version

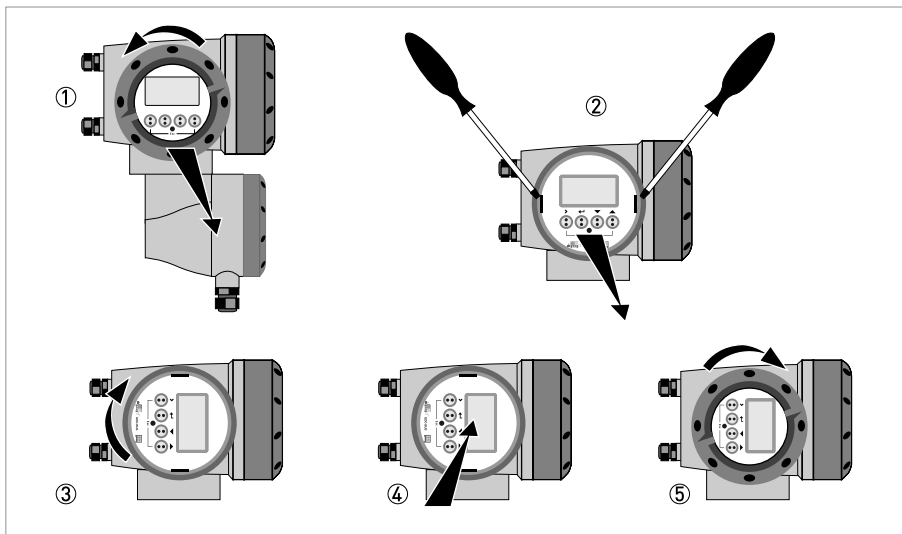


Figure 3-16: Turning the display of the field housing version



The display of the field housing version can be turned in 90° increments.

- ① Unscrew the cover from the display and operation control unit.
- ② Using a suitable tool, pull out the two metal puller devices to the left and right of the display.
- ③ Pull out the display between the two metal puller devices and rotate it to the required position.
- ④ Slide the display and then the metal puller devices back into the housing.
- ⑤ Re-fit the cover and tighten it by hand.

**CAUTION!**

The ribbon cable of the display must not be folded or twisted repeatedly.

**INFORMATION!**

Each time a housing cover is opened, the thread should be cleaned and greased. Use only resin-free and acid-free grease.

Ensure that the housing gasket is properly fitted, clean and undamaged.

4.1 Safety instructions



DANGER!

All work on the electrical connections may only be carried out with the power disconnected. Take note of the voltage data on the nameplate!



DANGER!

Observe the national regulations for electrical installations!



DANGER!

For devices used in hazardous areas, additional safety notes apply; please refer to the Ex documentation.



WARNING!

Observe without fail the local occupational health and safety regulations. Any work done on the electrical components of the measuring device may only be carried out by properly trained specialists.



INFORMATION!

Look at the device nameplate to ensure that the device is delivered according to your order. Check for the correct supply voltage printed on the nameplate.

4.2 Signal cable (remote versions only)

The flow sensor is connected to the signal converter via one signal cable, with 6 (labeled) inner coax cables for the connection of three acoustic paths.

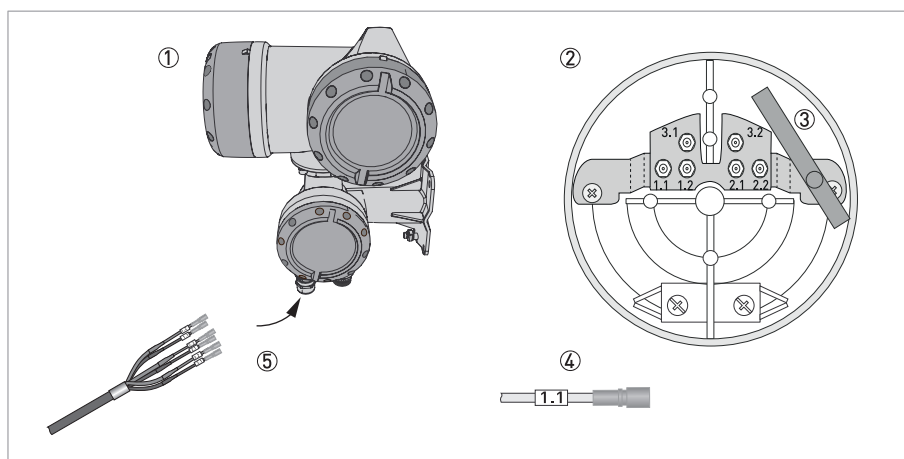


Figure 4-1: Construction of field version

- ① Signal converter
- ② Open connection box
- ③ Tool for releasing connectors
- ④ Marking on cable
- ⑤ Insert cable(s) into terminal compartment



CAUTION!

To ensure smooth functioning, always use the signal cable(s) included in the delivery.

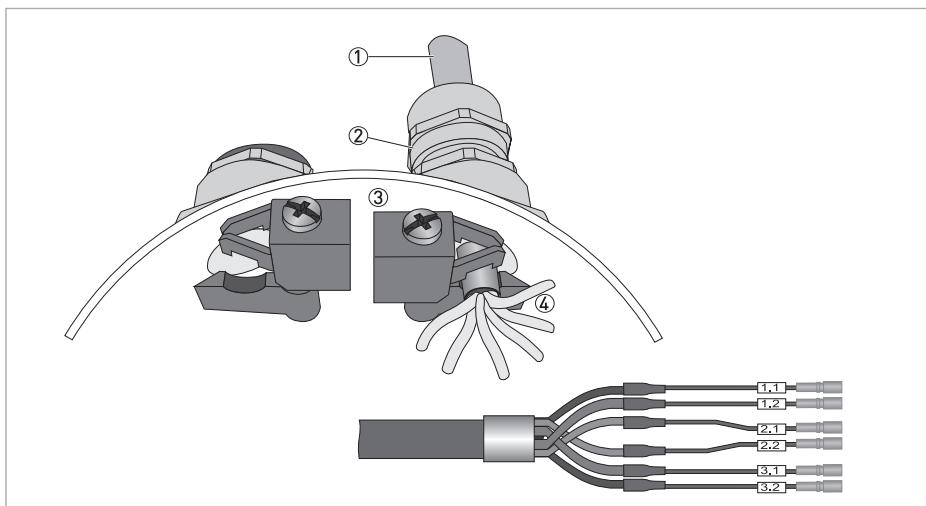


Figure 4-2: Clamp the cables on the shielding bush

- ① Cables
- ② Cable glands
- ③ Grounding clamps
- ④ Cable with metal shielding bush

Electrical connection - Standard version

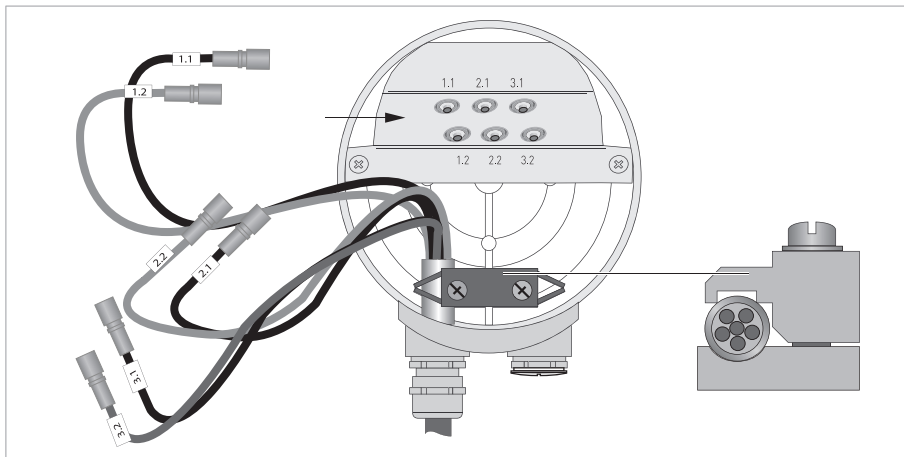


Figure 4-3: Connect the cables in the connection box of the flow sensor

Connection of flow sensor type Cryogenic and XXT

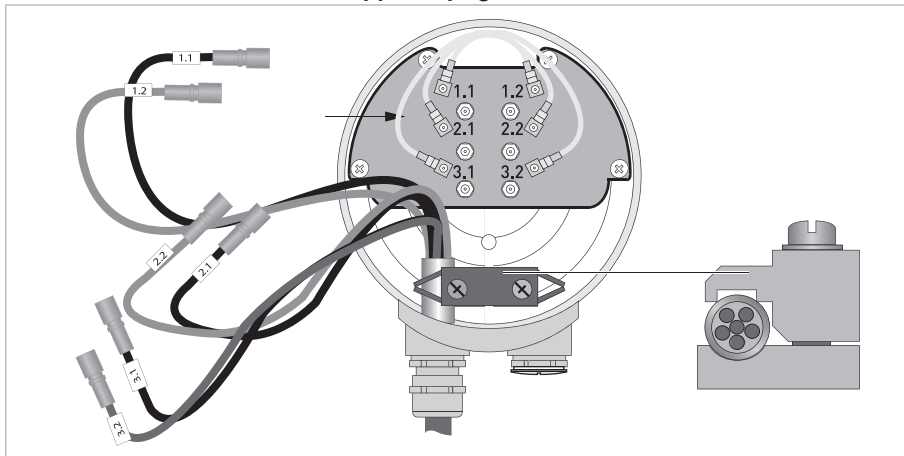


Figure 4-4: Connect the cables in the connection box of the flow sensor



INFORMATION!

Connect the cable on connector with similar numeral marking

4.3 Power supply



WARNING!

When this device is intended for permanent connection to the mains.

It is required (for example for service) to mount an external switch or circuit breaker near the device for disconnection from the mains. It shall be easily reachable by the operator and marked as the disconnecting the device for this equipment.

The switch or circuit breaker and wiring has to be suitable for the application and shall also be in accordance with the local (safety) requirements of the (building) installation (e.g. IEC 60947-1 / -3)



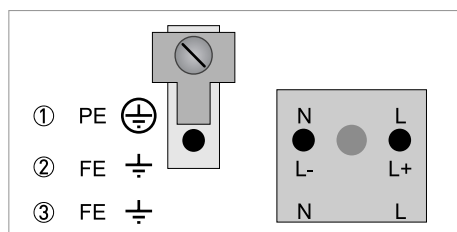
DANGER!

For devices used in hazardous areas, additional safety notes apply; please refer to the Ex documentation.



INFORMATION!

The power terminals in the terminal compartments are equipped with additional hinged lids to prevent accidental contact.



- ① 100...230 VAC (-15% / +10%), 22 VA
- ② 24 VDC (-55% / +30%), 12 W
- ③ 24 VAC/DC (AC: -15% / +10%; DC: -25% / +30%), 22 VA or 12 W

**DANGER!**

The device must be grounded in accordance with regulations in order to protect personnel against electric shocks.

100...230 VAC (tolerance range: -15% / +10%)

- Note the power supply voltage and frequency (50...60 Hz) on the nameplate.
- The protective ground terminal **PE** of the power supply must be connected to the separate U-clamp terminal in the terminal compartment of the signal converter

**INFORMATION!**

240 VAC+5% is included in the tolerance range.

24 VDC (tolerance range: -55% / +30%)**24 VAC/DC (tolerance ranges: AC: -15% / +10%; DC: -25% / +30%)**

- Note the data on the nameplate!
- For measurement process reasons, a functional ground **FE** must be connected to the separate U-clamp terminal in the terminal compartment of the signal converter.
- When connecting to functional extra-low voltages, provide a facility for protective separation (PELV) (acc. to VDE 0100 / VDE 0106 and/or IEC 364 / IEC 536 or relevant national regulations).

**INFORMATION!**

For 24 VDC, 12 VDC-10% is included in the tolerance range.

4.4 Laying electrical cables correctly

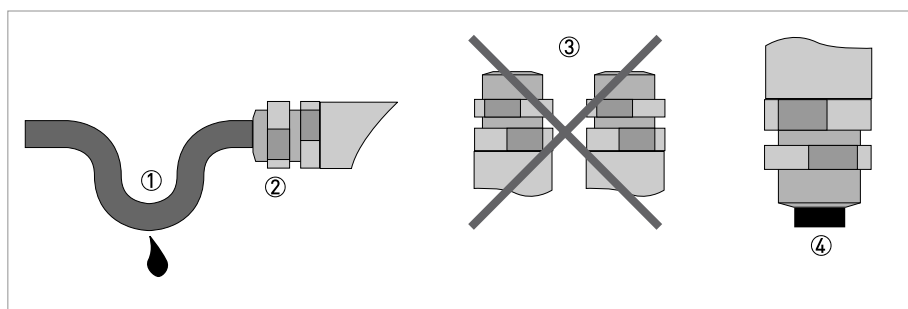


Figure 4-5: Protect housing from dust and water



- ① Lay the cable in a loop just before the housing.
- ② Tighten the screw connection of the cable entry securely.
- ③ Never mount the housing with the cable entries facing upwards.
- ④ Seal cable entries that are not needed with a plug.

4.5 Inputs and outputs, overview

4.5.1 Combinations of the inputs/outputs (I/Os)

This signal converter is available with various input/output combinations.

Basic version

- Has 1 current output, 1 pulse output and 2 status outputs / limit switches.
- The pulse output can be set as status output/limit switch and one of the status outputs as a control input.

Ex i version

- Depending on the task, the device can be configured with various output modules.
- Current outputs can be active or passive.
- Optionally available also with Foundation Fieldbus and Profibus PA

Modular version

- Depending on the task, the device can be configured with various output modules.

Bus systems

- The device allows intrinsically safe and non intrinsically safe bus interfaces in combination with additional modules.
- For connection and operation of bus systems, please note the separate documentation.

Ex option

- For hazardous areas, all of the input/output variants for the housing designs C and F with terminal compartment in the Ex d (pressure-resistant casing) or Ex e (increased safety) versions can be delivered.
- Please refer to the separate instructions for connection and operation of the Ex-devices.

4.5.2 Description of the CG number



Figure 4-6: Marking (CG number) of the electronics module and input/output variants

- ① ID number:5
- ② ID number: 0 = standard
- ③ Power supply option
- ④ Display (language versions)
- ⑤ Input/output version (I/O)
- ⑥ 1st optional module for connection terminal A
- ⑦ 2nd optional module for connection terminal B

The last 3 digits of the CG number (⑤, ⑥ and ⑦) indicate the assignment of the terminal connections. Please refer to the following examples.

Examples for CG number

CG 350 x1 100	100...230 VAC & standard display; basic I/O: I_a or I_p & S_p/C_p & S_p & P_p/S_p
CG 350 x1 7FK	100...230 VAC & standard display; modular I/O: I_a & P_N/S_N and optional module P_N/S_N & C_N
CG 350 x1 4EB	24 VDC & standard display; modular I/O: I_a & P_a/S_a and optional module P_p/S_p & I_p

Description of abbreviations and CG identifier for possible optional modules on terminals A and B

Abbreviation	Identifier for CG No.	Description
I_a	A	Active current output
I_p	B	Passive current output
P_a / S_a	C	Active pulse output, frequency output, status output or limit switch (changeable)
P_p / S_p	E	Passive pulse output, frequency output, status output or limit switch (changeable)
P_N / S_N	F	Passive pulse output, frequency output, status output or limit switch acc. to NAMUR (changeable)
C_a	G	Active control input
C_p	K	Passive control input
C_N	H	Active control input to NAMUR Signal converter monitors cable breaks and short circuits acc. to EN 60947-5-6. Errors indicated on LC display. Error messages possible via status output.
-	8	No additional module installed
-	0	No further module possible

4.5.3 Fixed, non-alterable input/output versions

This signal converter is available with various input/output combinations.

- The grey boxes in the tables denote unassigned or unused connection terminals.
- In the table, only the final digits of the CG no. are depicted.
- Connection terminal A+ is only operable in the basic input/output version.

CG-No.	Connection terminals								
	A+	A	A-	B	B-	C	C-	D	D-

Basic in-/output (I/O) (Standard)

1 0 0		$I_p + \text{HART}^{\text{®}}$ passive ①	S_p / C_p passive ②	S_p passive	P_p / S_p passive ②
	$I_a + \text{HART}^{\text{®}}$ active ①				

Ex-i in-/outputs (Option)

2 0 0				$I_a + \text{HART}^{\text{®}}$ active	P_N / S_N NAMUR ②
3 0 0				$I_p + \text{HART}^{\text{®}}$ passive	P_N / S_N NAMUR ②
2 1 0		I_a active	P_N / S_N NAMUR C_p passive ②	$I_a + \text{HART}^{\text{®}}$ active	P_N / S_N NAMUR ②
3 1 0		I_a active	P_N / S_N NAMUR C_p passive ②	$I_p + \text{HART}^{\text{®}}$ passive	P_N / S_N NAMUR ②
2 2 0		I_p passive	P_N / S_N NAMUR C_p passive ②	$I_a + \text{HART}^{\text{®}}$ active	P_N / S_N NAMUR ②
3 2 0		I_p passive	P_N / S_N NAMUR C_p passive ②	$I_p + \text{HART}^{\text{®}}$ passive	P_N / S_N NAMUR ②

① Function changed by reconnecting

② Changeable

4.5.4 Alterable input/output versions

This signal converter is available with various input/output combinations.

- The grey boxes in the tables denote unassigned or unused connection terminals.
- In the table, only the final digits of the CG no. are depicted.
- Term. = (connection) terminal

CG no.	Connection terminals								
	A+	A	A-	B	B-	C	C-	D	D-

Modular IOs (option)

4 __		max. 2 optional modules for term. A + B	I _a + HART [®] active	P _a / S _a active ①
8 __		max. 2 optional modules for term. A + B	I _p + HART [®] passive	P _a / S _a active ①
6 __		max. 2 optional modules for term. A + B	I _a + HART [®] active	P _p / S _p passive ①
B __		max. 2 optional modules for term. A + B	I _p + HART [®] passive	P _p / S _p passive ①
7 __		max. 2 optional modules for term. A + B	I _a + HART [®] active	P _N / S _N NAMUR ①
C __		max. 2 optional modules for term. A + B	I _p + HART [®] passive	P _N / S _N NAMUR ①

PROFIBUS PA/DP

D __		max. 2 optional modules for term. A + B	PA+ (2)	PA- (2)	PA+ (1)	PA- (1)
F __		max. 2 optional modules for term. A + B	PA+ (2)	PA- (2)	PA+ (1)	PA- (1)

FOUNDATION Fieldbus (option)

E __		max. 2 optional modules for term. A + B	V/D+ (2)	V/D- (2)	V/D+ (1)	V/D- (1)
------	--	---	----------	----------	----------	----------

Modbus (option)

G __ ②		max. 2 optional modules for term. A + B		Commo n	Sign. B (D1)	Sign. A (D0)
--------	--	---	--	------------	-----------------	-----------------

① changeable

② not activated bus terminator

4.6 Description of the inputs and outputs

4.6.1 Control input

**INFORMATION!**

Depending on the version, the control inputs must be connected passively or actively or according to NAMUR EN 60947-5-6! Which I/O version and inputs/outputs are installed in your signal converter are indicated on the sticker in the cover of the terminal compartment.

- All control inputs are electrically isolated from each other and from all other circuits.
- All operating data and functions can be adjusted.
- Passive mode: external power supply required:
 $U_{\text{ext}} \leq 32 \text{ VDC}$
- Active mode: use of the internal power supply:
 $U_{\text{nom}} = 24 \text{ VDC}$
- NAMUR mode: in accordance with EN 60947-5-6
(Active control input to NAMUR EN 60947-5-6: signal converter monitors cable breaks and short circuits acc. to EN 60947-5-6. Errors indicated on LC display. Error messages possible via status output.
- For information on the adjustable operating states refer to *Function tables* on page 63

**DANGER!**

For devices used in hazardous areas, additional safety notes apply; please refer to the Ex documentation.

4.6.2 Current output

**INFORMATION!**

The current outputs must be connected depending on the version! Which I/O versions and inputs/outputs are installed in your signal converter are indicated on the sticker in the cover of the terminal compartment.

- All outputs are electrically isolated from each other and from all other circuits.
- All operating data and functions can be adjusted.
- Passive mode:
External power $U_{\text{ext}} \leq 32 \text{ VDC}$ at $I \leq 22 \text{ mA}$
- Active mode:
Load impedance $R_L \leq 1 \text{ k}\Omega$ at $I \leq 22 \text{ mA}$;
 $R_L \leq 450 \Omega$ at $I \leq 22 \text{ mA}$ for Ex i outputs
- Self-monitoring: interruption or load impedance too high in the current output loop
- Error message possible via status output, error indication on LC display.
- Current value error detection can be adjusted.
- Automatic range conversion via threshold or control input. The setting range for the threshold is between 5 and 80% of $Q_{100\%}$, $\pm 0...5\%$ hysteresis (corresponding ratio from smaller to larger range of 1:20 to 1:1.25).
Signaling of the active range possible via a status output (adjustable).
- Forward/reverse flow measurement (F/R mode) is possible.

**INFORMATION!**

For further information refer to Connection diagrams of inputs and outputs on page 39.

**DANGER!**

For devices used in hazardous areas, additional safety notes apply; please refer to the Ex documentation.

4.6.3 Pulse and frequency output



INFORMATION!

Depending on the version, the pulse and frequency outputs must be connected passively or actively or according to NAMUR EN 60947-5-6! Which I/O version and inputs/outputs are installed in your signal converter are indicated on the sticker in the cover of the terminal compartment.

- All outputs are electrically isolated from each other and from all other circuits.
- All operating data and functions can be adjusted.
- Passive mode:
External power supply required: $U_{\text{ext}} \leq 32 \text{ VDC}$
 $I \leq 20 \text{ mA}$ at $f \leq 10 \text{ kHz}$ (override up to $f_{\text{max}} \leq 12 \text{ kHz}$)
 $I \leq 100 \text{ mA}$ at $f \leq 100 \text{ Hz}$
- Active mode:
Use of the internal power supply: $U_{\text{nom}} = 24 \text{ VDC}$
 $I \leq 20 \text{ mA}$ at $f \leq 10 \text{ kHz}$ (over range up to $f_{\text{max}} \leq 12 \text{ kHz}$)
 $I \leq 20 \text{ mA}$ at $f \leq 100 \text{ Hz}$
- NAMUR mode: passive in accordance with EN 60947-5-6, $f \leq 10 \text{ kHz}$,
over range up to $f_{\text{max}} \leq 12 \text{ kHz}$
- Scaling:
Frequency output: in pulses per time unit (e.g. 1000 pulses/s at $Q_{100\%}$);
Pulse output: quantity per pulse.
- Pulse width:
symmetric (pulse duty factor 1:1, independent of output frequency)
automatic (with fixed pulse width, duty factor approx. 1:1 at $Q_{100\%}$) or
fixed (pulse width adjustable as required from 0.05 ms...2 s)
- Forward / reverse flow measurement (F/R mode) is possible.
- All pulse and frequency outputs can also be used as a status output / limit switch.



INFORMATION!

For further information refer to Connection diagrams of inputs and outputs on page 39.



DANGER!

For devices used in hazardous areas, additional safety notes apply; please refer to the Ex documentation.

4.6.4 Status output and limit switch

**INFORMATION!**

Depending on the version, the status outputs and limit switches must be connected passively or actively or according to NAMUR EN 60947-5-6! Which I/O version and inputs/outputs are installed in your signal converter are indicated on the sticker in the cover of the terminal compartment.

- The status outputs / limit switches are electrically isolated from each other and from all other circuits.
- The output stages of the status outputs/limit switches during simple active or passive operation behave like relay contacts and can be connected with any polarity.
- All operating data and functions can be adjusted.
- Passive mode:
External power supply required: $U_{\text{ext}} \leq 32 \text{ VDC}$; $I \leq 100 \text{ mA}$

For the Ex i I/O signal converter:

NAMUR characteristic 4.7 mA / 0.77 mA

- Active mode:
Use of the internal power supply: $U_{\text{nom}} = 24 \text{ VDC}$; $I \leq 20 \text{ mA}$
- NAMUR mode:
Passive in accordance with EN 60947-5-6
- For information on the adjustable operating states refer to *Function tables* on page 63.

**INFORMATION!**

For further information refer to *Connection diagrams of inputs and outputs* on page 39.

**DANGER!**

For devices used in hazardous areas, additional safety notes apply; please refer to the *Ex documentation*.

4.7 Connection diagrams of inputs and outputs

4.7.1 Important notes



INFORMATION!

Depending on the version, the inputs/outputs must be connected passively or actively or acc. to NAMUR EN 60947-5-6! Which I/O version and inputs/outputs are installed in your signal converter are indicated on the sticker in the cover of the terminal compartment.

- All groups are electrically isolated from each other and from all other input and output circuits.
- Passive mode: An external power supply is necessary to operate (activation) the subsequent devices (U_{ext}).
- Active mode: The signal converter supplies the power for operation (activation) of the subsequent devices, observe max. operating data.
- Terminals that are not used should not have any conductive connection to other electrically conductive parts.



DANGER!

For devices used in hazardous areas, additional safety notes apply; please refer to the Ex documentation.

Description of the used abbreviations

I_a	I_p	Current output active or passive
P_a	P_p	Pulse/frequency output active or passive
P_N		Pulse/frequency output passive acc. to NAMUR EN 60947-5-6
S_a	S_p	Status output/limit switch active or passive
S_N		Status output/limit switch passive acc. to NAMUR EN 60947-5-6
C_a	C_p	Control input active or passive
C_N		Control input active acc. to NAMUR EN 60947-5-6: Signal converter monitors cable breaks and short circuits acc. to EN 60947-5-6. Errors indicated on LC display. Error messages possible via status output.

4.7.2 Description of the electrical symbols


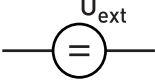
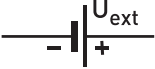
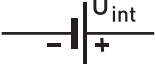
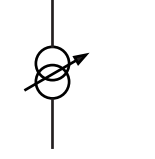
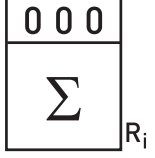

	<p>mA meter 0...20 mA or 4...20 mA and other R_L is the internal resistance of the measuring point including the cable resistance</p>
	<p>DC voltage source (U_{ext}), external power supply, any connection polarity</p>
	<p>DC voltage source (U_{ext}), observe connection polarity according to connection diagrams</p>
	<p>Internal DC voltage source</p>
	<p>Controlled internal power source in the device</p>
	<p>Electronic or electromagnetic counter At frequencies above 100 Hz, shielded cables must be used to connect the counters. R_i Internal resistance of the counter</p>
	<p>Button, NO contact or similar</p>

Table 4-1: Description of symbols

4.7.3 Basic inputs/outputs



CAUTION!
Observe connection polarity.



INFORMATION!
For further information refer to *Description of the inputs and outputs* on page 35 and refer to *HART® connection* on page 54.

Current output active (HART®), basic I/Os

- $U_{\text{int, nom}} = 24 \text{ VDC}$ nominal
- $I \leq 22 \text{ mA}$
- $R_L \leq 1 \text{ k}\Omega$

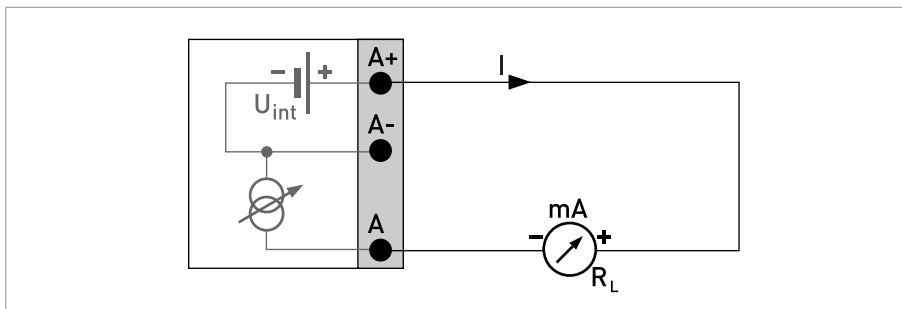


Figure 4-7: Current output active I_a

Current output passive (HART®), basic I/Os

- $U_{\text{int, nom}} = 24 \text{ VDC}$ nominal
- $U_{\text{ext}} \leq 32 \text{ VDC}$
- $I \leq 22 \text{ mA}$
- $U_0 \geq 1.8 \text{ V}$
- $R_L \leq (U_{\text{ext}} - U_0) / I_{\text{max}}$

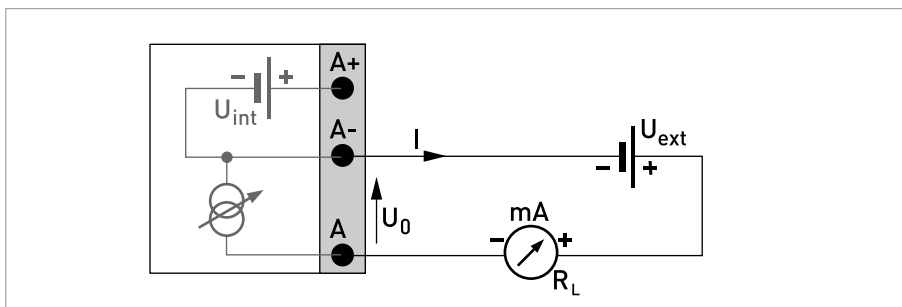


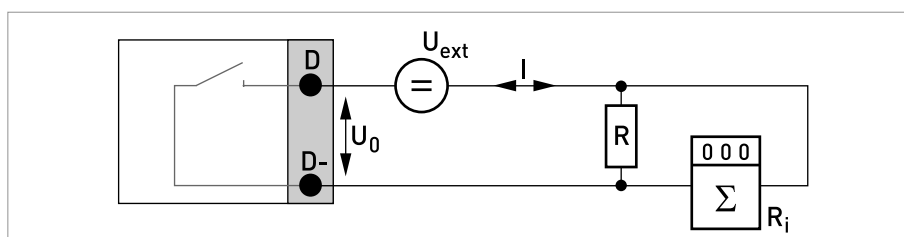
Figure 4-8: Current output passive I_p

**INFORMATION!**

- For frequencies above 100 Hz, shielded cables are to be used in order to reduce effects from electrical interferences (EMC).
- **Compact and field housing versions:** Shield connected via the cable terminals in the terminal compartment.
- Any connection polarity.

Pulse/frequency output passive, basic I/Os

- $U_{\text{ext}} \leq 32 \text{ VDC}$
- f_{max} in operating menu set to $f_{\text{max}} \leq 100 \text{ Hz}$:
 $I \leq 100 \text{ mA}$
 open:
 $I \leq 0.05 \text{ mA}$ at $U_{\text{ext}} = 32 \text{ VDC}$
 closed:
 $U_{0, \text{max}} = 0.2 \text{ V}$ at $I \leq 10 \text{ mA}$
 $U_{0, \text{max}} = 2 \text{ V}$ at $I \leq 100 \text{ mA}$
- f_{max} in the operating menu set to $100 \text{ Hz} < f_{\text{max}} \leq 10 \text{ kHz}$:
 $I \leq 20 \text{ mA}$
 open:
 $I \leq 0.05 \text{ mA}$ at $U_{\text{ext}} = 32 \text{ VDC}$
 closed:
 $U_{0, \text{max}} = 1.5 \text{ V}$ at $I \leq 1 \text{ mA}$
 $U_{0, \text{max}} = 2.5 \text{ V}$ at $I \leq 10 \text{ mA}$
 $U_{0, \text{max}} = 5.0 \text{ V}$ at $I \leq 20 \text{ mA}$
- If the following maximum load resistance $R_{L, \text{max}}$ is exceeded, the load resistance R_L must be reduced accordingly by parallel connection of R :
 $f \leq 100 \text{ Hz}$: $R_{L, \text{max}} = 47 \text{ k}\Omega$
 $f \leq 1 \text{ kHz}$: $R_{L, \text{max}} = 10 \text{ k}\Omega$
 $f \leq 10 \text{ kHz}$: $R_{L, \text{max}} = 1 \text{ k}\Omega$
- The minimum load resistance $R_{L, \text{min}}$ is calculated as follows:
 $R_{L, \text{min}} = (U_{\text{ext}} - U_0) / I_{\text{max}}$
- Can also be set as status output; for the electrical connection refer to status output connection diagram.

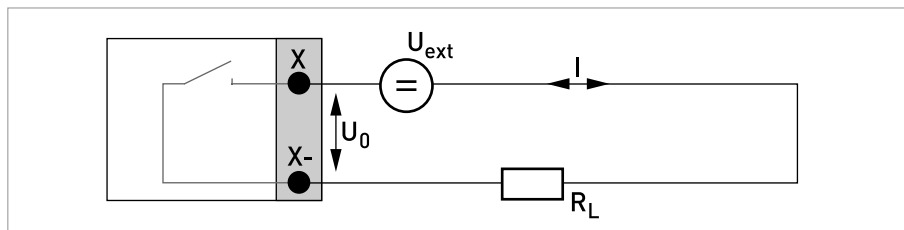
Figure 4-9: Pulse/frequency output passive P_p

**INFORMATION!**

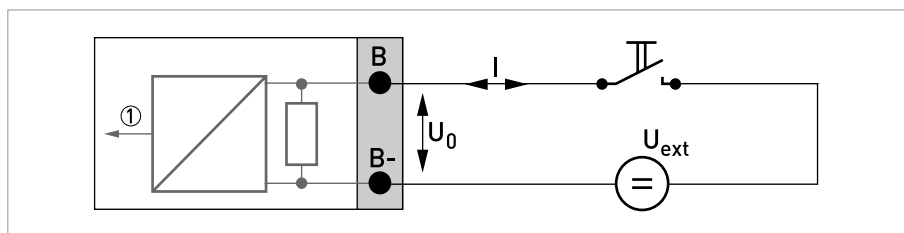
- Any connection polarity.

Status output / limit switch passive, basic I/Os

- $U_{\text{ext}} \leq 32 \text{ VDC}$
- $I \leq 100 \text{ mA}$
- $R_{L, \text{max}} = 47 \text{ k}\Omega$
 $R_{L, \text{min}} = (U_{\text{ext}} - U_0) / I_{\text{max}}$
- open:
 $I \leq 0.05 \text{ mA}$ at $U_{\text{ext}} = 32 \text{ VDC}$
 closed:
 $U_{0, \text{max}} = 0.2 \text{ V}$ at $I \leq 10 \text{ mA}$
 $U_{0, \text{max}} = 2 \text{ V}$ at $I \leq 100 \text{ mA}$
- The output is open when the device is de-energized.
- X stands for the terminals B, C or D. The functions of the connection terminals depend on the settings.

Figure 4-10: Status output / limit switch passive S_p **Control input passive, basic I/Os**

- $8 \text{ V} \leq U_{\text{ext}} \leq 32 \text{ VDC}$
- $I_{\text{max}} = 6.5 \text{ mA}$ at $U_{\text{ext}} \leq 24 \text{ VDC}$
 $I_{\text{max}} = 8.2 \text{ mA}$ at $U_{\text{ext}} \leq 32 \text{ VDC}$
- Switching point for identifying "contact open or closed":
 Contact open (off): $U_0 \leq 2.5 \text{ V}$ with $I_{\text{nom}} = 0.4 \text{ mA}$
 Contact closed (on): $U_0 \geq 8 \text{ V}$ with $I_{\text{nom}} = 2.8 \text{ mA}$
- Can also be set as a status output; for the electrical connection refer to status output connection diagram.

Figure 4-11: Control input passive C_p

① Signal

4.7.4 Modular inputs/outputs and bus systems



CAUTION!
Observe connection polarity.

**INFORMATION!**

- For further information on electrical connection refer to *Description of the inputs and outputs* on page 35.
- For the electrical connection of bus systems, please refer to the separate documentation for the respective bus systems.

**INFORMATION!**

- For frequencies above 100 Hz, shielded cables are to be used in order to reduce effects from electrical interferences (EMC).
- **Compact and field housing versions:** Shield connected via the cable terminals in the terminal compartment.
- Any connection polarity.

Current output active (only current output terminals C/C- have HART[®] capability), modular I/Os

- $U_{\text{int, nom}} = 24 \text{ VDC}$
- $I \leq 22 \text{ mA}$
- $R_L \leq 1 \text{ k}\Omega$
- X designates the connection terminals A, B or C, depending on the version of the signal converter.

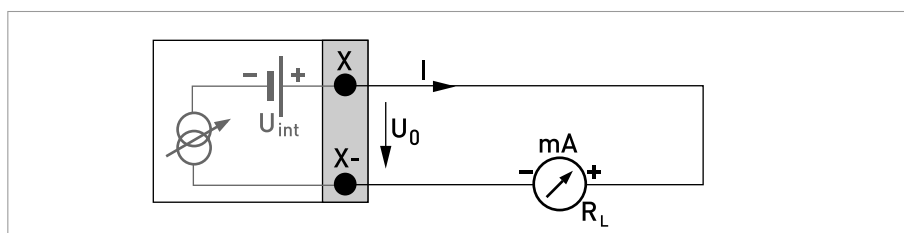
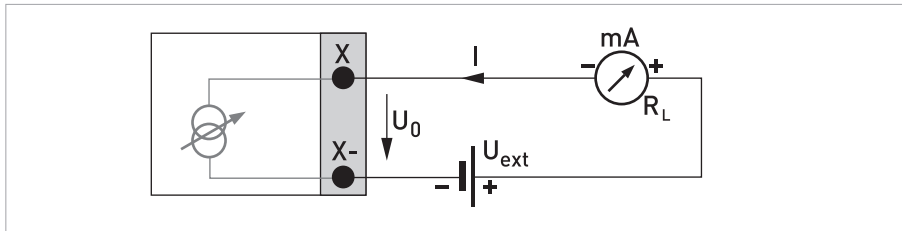


Figure 4-12: Current output active I_a

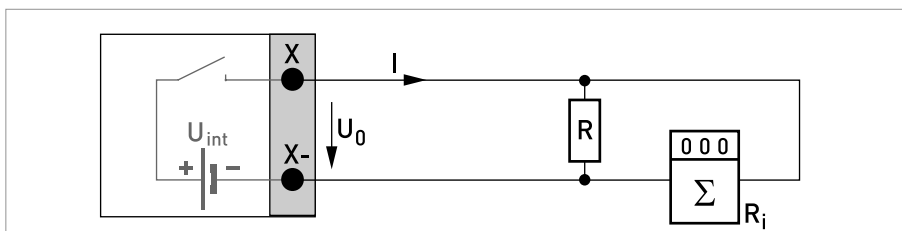
Current output passive (only current output terminals C/C- have HART[®] capability), modular I/Os

- $U_{\text{ext}} \leq 32 \text{ VDC}$
- $I \leq 22 \text{ mA}$
- $U_0 \geq 1.8 \text{ V}$
- $R_{L, \text{max}} = (U_{\text{ext}} - U_0) / I_{\text{max}}$
- X designates the connection terminals A, B or C, depending on the version of the signal converter.

Figure 4-13: Current output passive I_p

Pulse/frequency output active, modular I/Os

- $U_{nom} = 24 \text{ VDC}$
- f_{max} in the operating menu set to $f_{max} \leq 100 \text{ Hz}$:
 $I \leq 20 \text{ mA}$
 open:
 $I \leq 0.05 \text{ mA}$
 closed:
 $U_{0, nom} = 24 \text{ V}$ at $I = 20 \text{ mA}$
- f_{max} in operating menu set to $100 \text{ Hz} < f_{max} \leq 10 \text{ kHz}$:
 $I \leq 20 \text{ mA}$
 open:
 $I \leq 0.05 \text{ mA}$
 closed:
 $U_{0, nom} = 22.5 \text{ V}$ at $I = 1 \text{ mA}$
 $U_{0, nom} = 21.5 \text{ V}$ at $I = 10 \text{ mA}$
 $U_{0, nom} = 19 \text{ V}$ at $I = 20 \text{ mA}$
- If the following maximum load impedance $R_{L, max}$ is exceeded, the load impedance R_L must be reduced accordingly by parallel connection of R:
 $f \leq 100 \text{ Hz}$: $R_{L, max} = 47 \text{ k}\Omega$
 $f \leq 1 \text{ kHz}$: $R_{L, max} = 10 \text{ k}\Omega$
 $f \leq 10 \text{ kHz}$: $R_{L, max} = 1 \text{ k}\Omega$
- The minimum load impedance $R_{L, min}$ is calculated as follows:
 $R_{L, min} = (U_{ext} - U_0) / I_{max}$
- X designates the connection terminals A, B or D, depending on the version of the signal converter.

Figure 4-14: Pulse / frequency output active P_a

Pulse/frequency output passive, modular I/Os

- $U_{\text{ext}} \leq 32 \text{ VDC}$
- f_{max} in the operating menu set to $f_{\text{max}} \leq 100 \text{ Hz}$:
 $I \leq 100 \text{ mA}$
open:
 $I \leq 0.05 \text{ mA}$ at $U_{\text{ext}} = 32 \text{ VDC}$
closed:
 $U_{0, \text{max}} = 0.2 \text{ V}$ at $I \leq 10 \text{ mA}$
 $U_{0, \text{max}} = 2 \text{ V}$ at $I \leq 100 \text{ mA}$
- f_{max} in operating menu set to $100 \text{ Hz} < f_{\text{max}} \leq 10 \text{ kHz}$:
open:
 $I \leq 0.05 \text{ mA}$ at $U_{\text{ext}} = 32 \text{ VDC}$
closed:
 $U_{0, \text{max}} = 1.5 \text{ V}$ at $I \leq 1 \text{ mA}$
 $U_{0, \text{max}} = 2.5 \text{ V}$ at $I \leq 10 \text{ mA}$
 $U_{0, \text{max}} = 5 \text{ V}$ at $I \leq 20 \text{ mA}$
- If the following maximum load impedance $R_{L, \text{max}}$ is exceeded, the load impedance R_L must be reduced accordingly by parallel connection of R :
 $f \leq 100 \text{ Hz}$: $R_{L, \text{max}} = 47 \text{ k}\Omega$
 $f \leq 1 \text{ kHz}$: $R_{L, \text{max}} = 10 \text{ k}\Omega$
 $f \leq 10 \text{ kHz}$: $R_{L, \text{max}} = 1 \text{ k}\Omega$
- The minimum load impedance $R_{L, \text{min}}$ is calculated as follows:
 $R_{L, \text{min}} = (U_{\text{ext}} - U_0) / I_{\text{max}}$
- Can also be set as status output; refer to status output connection diagram.
- X designates the connection terminals A, B or D, depending on the version of the signal converter.

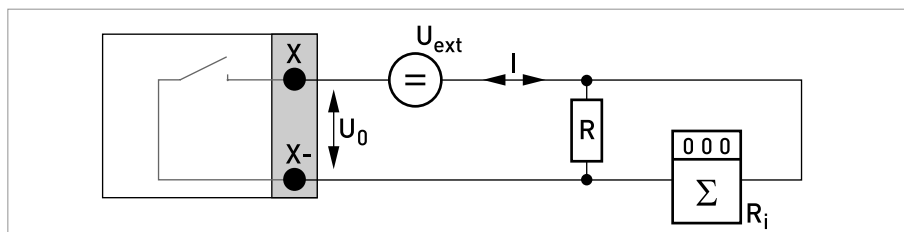


Figure 4-15: Pulse frequency output passive P_p

Pulse and frequency output passive P_N NAMUR, modular I/O

- Connection in conformity with EN 60947-5-6
- open:
 $I_{nom} = 0.6 \text{ mA}$
- closed:
 $I_{nom} = 3.8 \text{ mA}$
- X designates the connection terminals A, B or D, depending on the version of the signal converter.

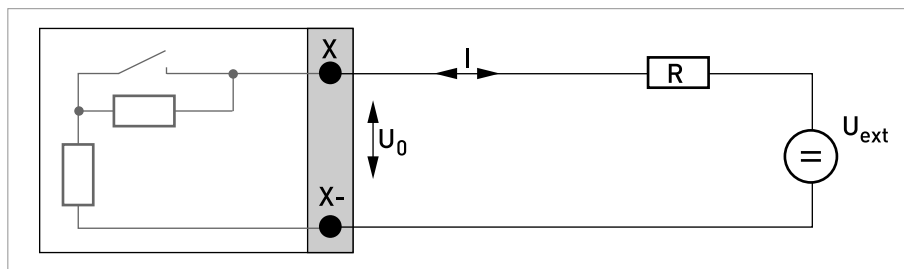


Figure 4-16: Pulse and frequency output passive P_N to NAMUR EN 60947-5-6

Status output / limit switch active, modular I/Os

- Observe connection polarity.
- $U_{int} = 24 \text{ VDC}$
- $I \leq 20 \text{ mA}$
- $R_L \leq 47 \text{ k}\Omega$
- open:
 $I \leq 0.05 \text{ mA}$
- closed:
 $U_{0, nom} = 24 \text{ V at } I = 20 \text{ mA}$
- X designates the connection terminals A, B or D, depending on the version of the signal converter.

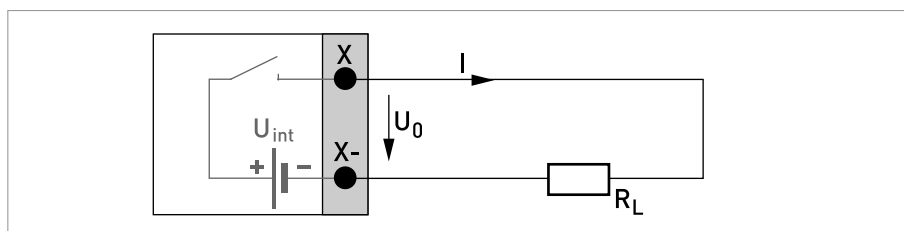
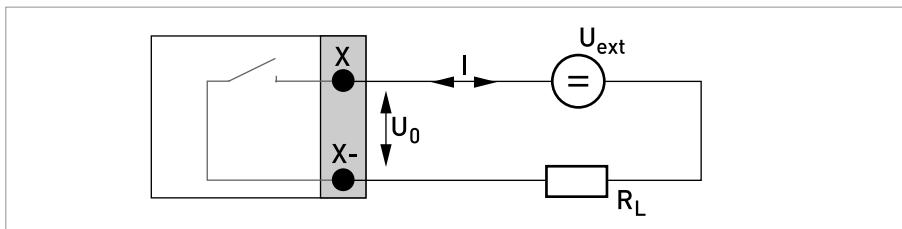


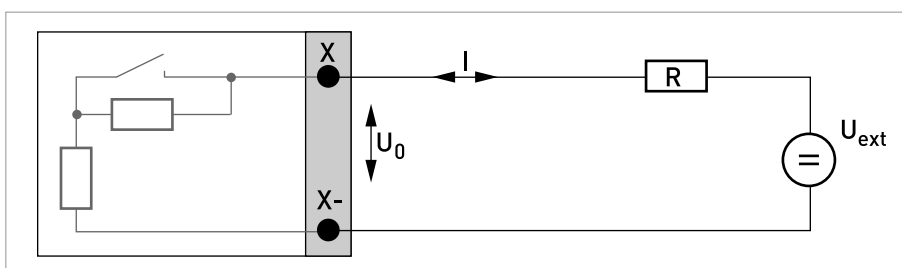
Figure 4-17: Status output / limit switch active S_a

Status output / limit switch passive, modular I/Os

- Any connection polarity.
- $U_{\text{ext}} = 32 \text{ VDC}$
- $I \leq 100 \text{ mA}$
- $R_{L, \text{max}} = 47 \text{ k}\Omega$
 $R_{L, \text{min}} = (U_{\text{ext}} - U_0) / I_{\text{max}}$
- open:
 $I \leq 0.05 \text{ mA}$ at $U_{\text{ext}} = 32 \text{ VDC}$
 closed:
 $U_{0, \text{max}} = 0.2 \text{ V}$ at $I \leq 10 \text{ mA}$
 $U_{0, \text{max}} = 2 \text{ V}$ at $I \leq 100 \text{ mA}$
- The output is open when the device is de-energized.
- X designates the connection terminals A, B or D, depending on the version of the signal converter.

Figure 4-18: Status output / limit switch passive S_p **Status output / limit switch S_N NAMUR, modular I/Os**

- Any connection polarity.
- Connection in conformity with EN 60947-5-6
- open:
 $I_{\text{nom}} = 0.6 \text{ mA}$
 closed:
 $I_{\text{nom}} = 3.8 \text{ mA}$
- The output is open when the device is de-energized.
- X designates the connection terminals A, B or D, depending on the version of the signal converter.

Figure 4-19: Status output / limit switch S_N to NAMUR EN 60947-5-6

**CAUTION!**

Observe connection polarity.

Control input active, modular I/Os

- $U_{int} = 24 \text{ VDC}$
- External contact open:
 $U_{0, nom} = 22 \text{ V}$
- External contact closed:
 $I_{nom} = 4 \text{ mA}$
- Switching point for identifying "contact open or closed":
Contact open (off): $U_0 \leq 10 \text{ V}$ with $I_{nom} = 1.9 \text{ mA}$
Contact closed (on): $U_0 \geq 12 \text{ V}$ with $I_{nom} = 1.9 \text{ mA}$
- X designates the connection terminals A or B, depending on the version of the signal converter.

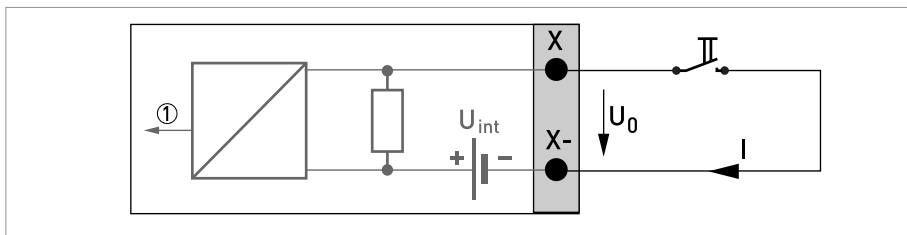


Figure 4-20: Control input active C_a

① Signal

Control input passive, modular I/Os

- $3 \text{ V} \leq U_{ext} \leq 32 \text{ VDC}$
- $I_{max} = 9.5 \text{ mA}$ at $U_{ext} \leq 24 \text{ V}$
 $I_{max} = 9.5 \text{ mA}$ at $U_{ext} \leq 32 \text{ V}$
- Switching point for identifying "contact open or closed":
Contact open (off): $U_0 \leq 2.5 \text{ V}$ with $I_{nom} = 1.9 \text{ mA}$
Contact closed (on): $U_0 \geq 3 \text{ V}$ with $I_{nom} = 1.9 \text{ mA}$
- X designates the connection terminals A or B, depending on the version of the signal converter.

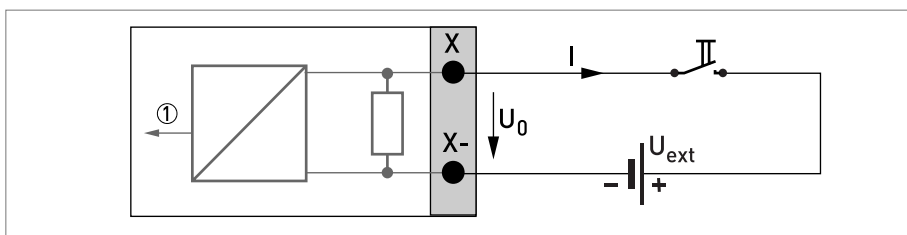


Figure 4-21: Control input passive C_p

① Signal



CAUTION!
Observe connection polarity.

Control input active C_N NAMUR, modular I/Os

- Connection acc. to EN 60947-5-6
- Switching point for identifying "contact open or closed":
Contact open (off): $U_{0, \text{nom}} = 6.3 \text{ V}$ with $I_{\text{nom}} < 1.9 \text{ mA}$
Contact closed (on): $U_{0, \text{nom}} = 6.3 \text{ V}$ with $I_{\text{nom}} > 1.9 \text{ mA}$
- Detection of cable break:
 $U_0 \geq 8.1 \text{ V}$ with $I \leq 0.1 \text{ mA}$
- Detection of cable short circuit:
 $U_0 \leq 1.2 \text{ V}$ with $I \geq 6.7 \text{ mA}$
- X designates the connection terminals A or B, depending on the version of the signal converter.

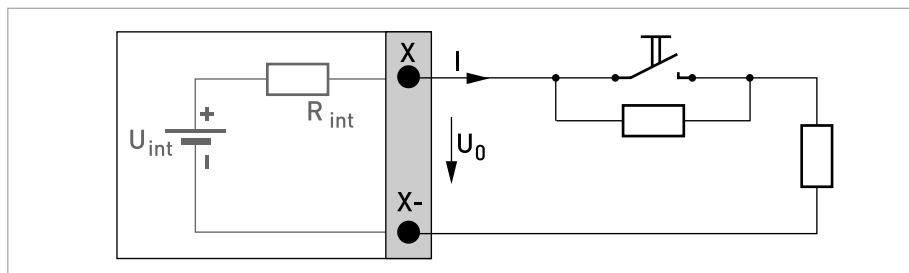


Figure 4-22: Control input active C_N to NAMUR EN 60947-5-6

4.7.5 Ex i inputs/outputs



DANGER!

For devices used in hazardous areas, additional safety notes apply; please refer to the Ex documentation.



INFORMATION!

For further information on electrical connection refer to Description of the inputs and outputs on page 35.



INFORMATION!

- For frequencies above 100 Hz, shielded cables are to be used in order to reduce effects from electrical interferences (EMC).
- **Compact and field housing versions:** Shield connected via the cable terminals in the terminal compartment.
- Any connection polarity.

Current output active (only current output terminals C/C- have HART[®] capability), Ex i I/Os

- Observe connection polarity.
- $U_{int, nom} = 20 \text{ VDC}$
- $I \leq 22 \text{ mA}$
- $R_L \leq 450 \Omega$
- X designates the connection terminals A or C, depending on the version of the signal converter.

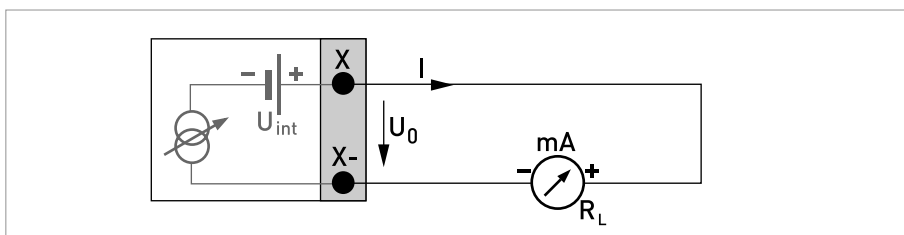


Figure 4-23: Current output active I_a Ex i

Current output passive (only current output terminals C/C- have HART[®] capability), Ex i I/Os

- Any connection polarity.
- $U_{\text{ext}} \leq 32 \text{ VDC}$
- $I \leq 22 \text{ mA}$
- $U_0 \geq 4 \text{ V}$
- $R_{L, \text{max}} = (U_{\text{ext}} - U_0) / I_{\text{max}}$
- X designates the connection terminals A or C, depending on the version of the signal converter.

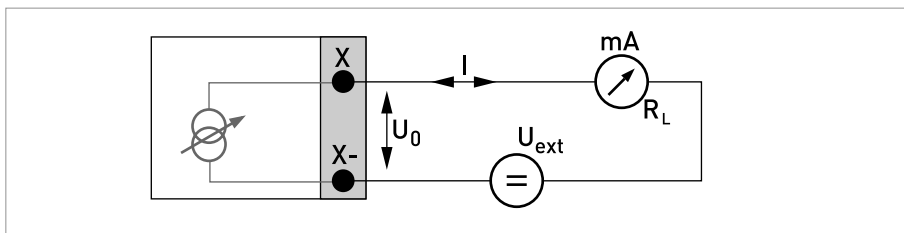


Figure 4-24: Current output passive I_p Ex i

Pulse and frequency output passive P_N NAMUR, Ex i I/Os

- Connection acc. to EN 60947-5-6
- open:
 $I_{\text{nom}} = 0.43 \text{ mA}$
- closed:
 $I_{\text{nom}} = 4.5 \text{ mA}$
- X designates the connection terminals B or D, depending on the version of the signal converter.

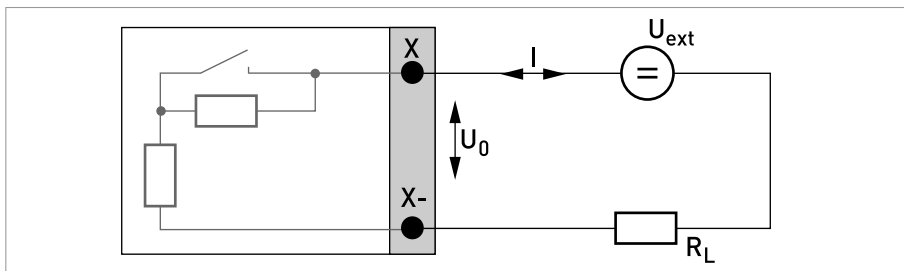


Figure 4-25: Pulse/frequency output passive P_N to NAMUR EN 60947-5-6 Ex i



INFORMATION!

- Any connection polarity.

Control input passive, Ex i I/Os

- $5.5 \text{ V} \leq U_{\text{ext}} \leq 32 \text{ VDC}$
- $I_{\text{max}} = 6 \text{ mA}$ at $U_{\text{ext}} \leq 24 \text{ V}$
 $I_{\text{max}} = 6.5 \text{ mA}$ at $U_{\text{ext}} \leq 32 \text{ V}$
- Switching point for identifying "contact open or closed":
 Contact open (off): $U_0 \leq 3.5 \text{ V}$ with $I \leq 0.5 \text{ mA}$
 Contact closed (on): $U_0 \geq 5.5 \text{ V}$ with $I \geq 4 \text{ mA}$
- X designates the connection terminals B, if available.

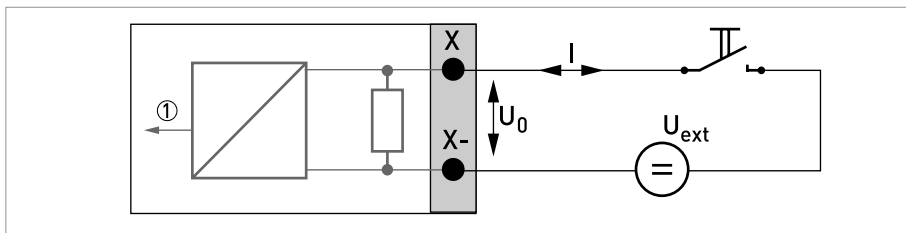


Figure 4-26: Control input passive C_p Ex i

① Signal



INFORMATION!

- Any connection polarity.

Status output/limit switch S_N NAMUR, Ex i I/Os

- Connection acc. to EN 60947-5-6
- open:
 $I_{\text{nom}} = 0.43 \text{ mA}$
 closed:
 $I_{\text{nom}} = 4.5 \text{ mA}$
- The output is closed when the device is de-energized.
- X designates the connection terminals B or D, depending on the version of the signal converter.

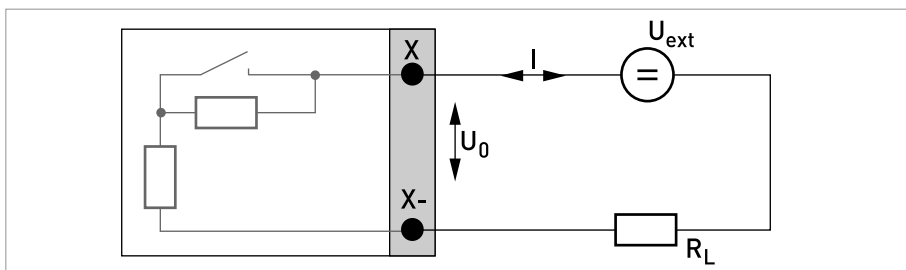


Figure 4-27: Status output / limit switch S_N to NAMUR EN 60947-5-6 Ex i

4.7.6 HART® connection



INFORMATION!

- In the basic I/O the current output at connection terminals A+/A-/A always has HART® capability.
- For modular I/O and Ex i E/A, only the output module for the connection terminals C/C- has HART® capability.

HART® connection active (point-to-point)

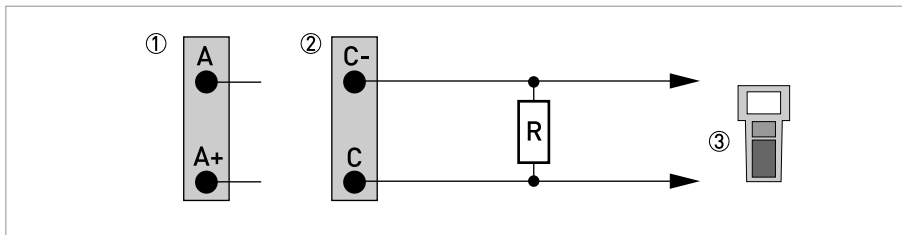


Figure 4-28: HART® connection active (I_a)

- ① Basic I/O: terminals A and A+
- ② Modular I/O: terminals C- and C
- ③ HART® communicator

The parallel resistance to the HART® communicator must be $R \geq 230 \Omega$.

HART® connection passive (Multi-Drop mode)

- $I: I_{0\%} \geq 4 \text{ mA}$
- Multi-Drop mode I: $I_{fix} \geq 4 \text{ mA} = I_{0\%}$
- $U_{ext} \leq 32 \text{ VDC}$
- $R \geq 230 \Omega$

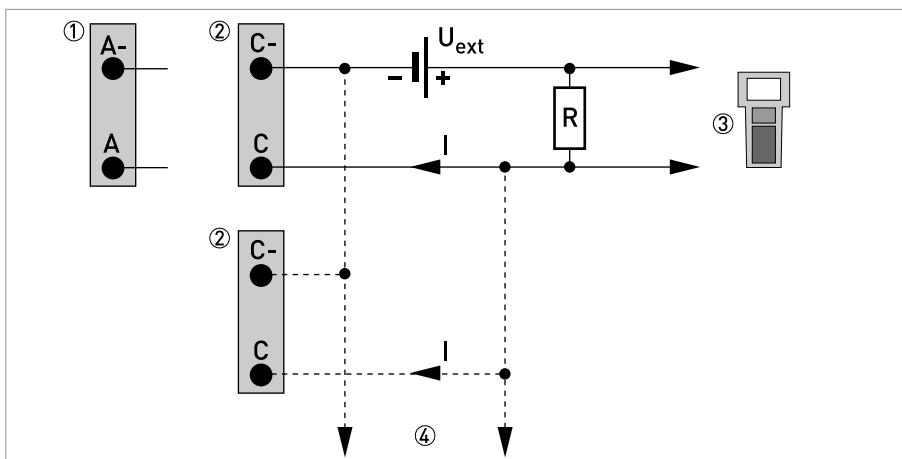


Figure 4-29: HART® connection passive (I_p)

- ① Basic I/O: terminals A- and A
- ② Modular I/O: terminals C- and C
- ③ HART® communicator
- ④ Other devices with HART® capability

5.1 Starting the signal converter

The measuring device, consisting of the measuring sensor and the signal converter, is supplied ready for operation. All operating data have been set at the factory in accordance with your order specifications.

When the power is switched on, a self test is carried out. After that the device immediately begins measuring, and the current values are displayed.

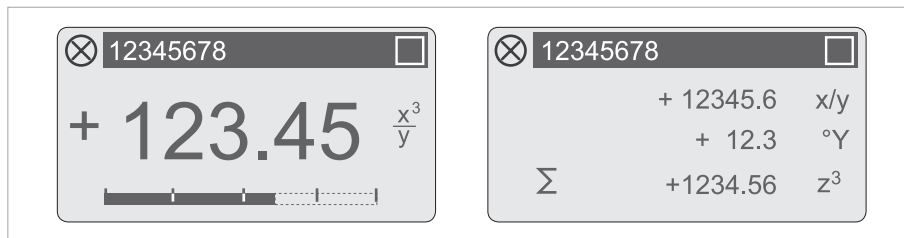


Figure 5-1: Displays in measuring mode (examples for 2 or 3 measured values)
x, y and z denote the units of the measured values displayed

It is possible to change between the two measured value windows, the trend display and the list with the status messages by pressing the keys \uparrow and \downarrow . For possible status messages, their meaning and cause refer to *Status messages and diagnostic information* on page 82.

5.2 Switching on the power

Before connecting to power, please check that the system has been correctly installed. This includes:

- The device must be mechanically safe and mounted in compliance with the regulations.
- The power connections must have been made in compliance with the regulations.
- The electrical terminal compartments must be secured and the covers have been screwed on.
- Check that the electrical operating data of the power supply are correct.



- Switching on the power.

6.1 Display and operating elements

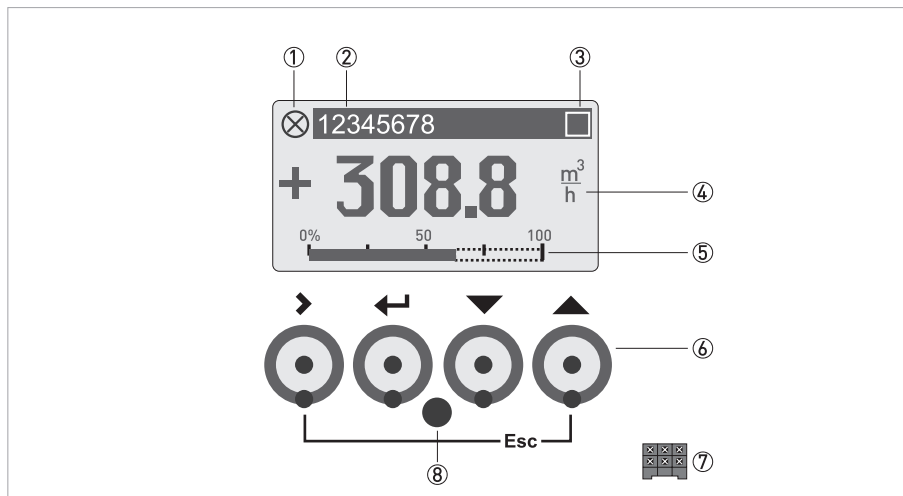


Figure 6-1: Display and operating elements (Example: flow indication with 2 measuring values)

- ① Indicates a possible status message in the status list
- ② Tag number (is only indicated if this number was entered previously by the operator)
- ③ Indicates when a key has been pressed
- ④ 1st measured variable in large representation
- ⑤ Bargraph indication
- ⑥ Operating keys, optical and mechanical (see table below for function and representation in text)
- ⑦ Interface to the GDC bus (not present in all signal converter versions)
- ⑧ Infrared sensor (not present in all signal converter versions)



CAUTION!

The use of a jumper is only permitted for custody transfer devices to lock the access to custody transfer relevant parameters. For non custody transfer devices (i.e. process instruments) this jumper must not be used!



INFORMATION!

- The switching point for the 4 optical keys is located directly in front of the glass. It is recommended to activate the keys at right angles to the front. Touching them from the side can cause incorrect operation.
- After 5 minutes of inactivity, there is an automatic return to measuring mode. Previously changed data is not saved.
- Step over from optical- to push buttons is directly possible. After using push buttons, wait several minutes before the optical buttons become active again.

Key	Measuring mode	Menu mode	Submenu or function mode	Parameter and data mode
>	Switch from measuring mode to menu mode; press key for 2.5 s, "Quick Start" menu is then displayed	Access to displayed menu, then 1st submenu is displayed	Access to displayed submenu or function	For numerical values, move cursor (highlighted in blue) one position to the right
←	Reset display; "Quick Access" function	Return to measuring mode but prompt whether the data should be saved	Press 1 to 3 times, return to menu mode, data saved	Return to submenu or function, data saved
↓ or ↑	Switch between display pages: measured value 1 + 2, trend page and status page	Select menu	Select submenu or function	Use cursor highlighted in blue to change number, unit, property and to move the decimal point
Esc (> + ↑)	-	-	Return to menu mode without acceptance of data	Return to submenu or function without acceptance of data

6.1.1 Display in measuring mode with 2 or 3 measured values

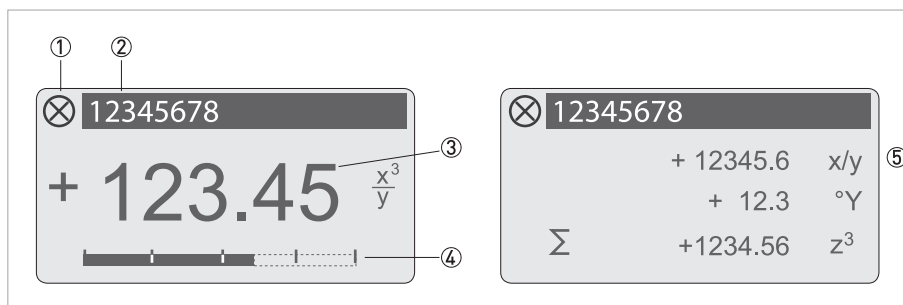


Figure 6-2: Example for display in measuring mode with 2 or 3 measured values

- ① Indicates a possible status message in the status list
- ② Tag number (is only indicated if this number was entered previously by the operator)
- ③ 1st measured variable in large representation
- ④ Bargraph indication
- ⑤ Depiction with 3 measured values

6.1.2 Display for selection of submenu and functions, 3 lines

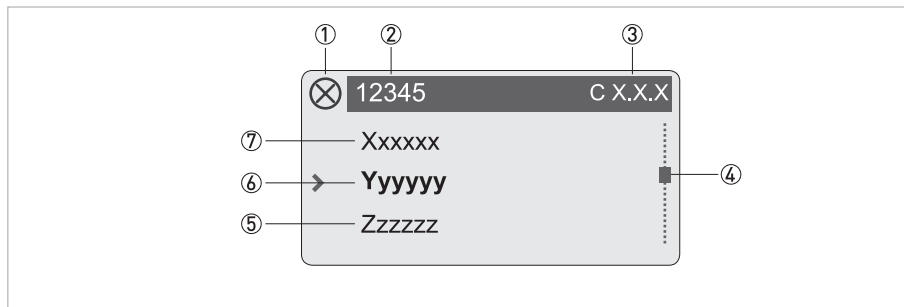


Figure 6-3: Display for selection of submenu and functions, 3 lines

- ① Indicates a possible status message in the status list
- ② Menu, submenu or function name
- ③ Number relating to ⑥
- ④ Indicates position within menu, submenu or function list
- ⑤ Next menu(s), submenu or function
[___ signalise in this line the end of the list]
- ⑥ Current menu(s), submenu or function
- ⑦ Previous menu(s), submenu or function
[___ signalise in this line the beginning of the list]

6.1.3 Display when setting parameters, 4 lines

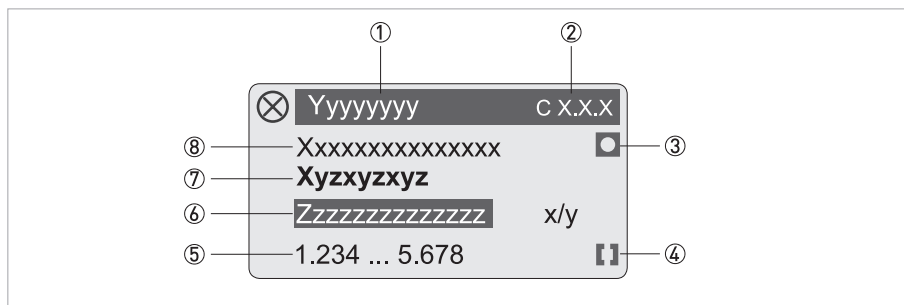


Figure 6-4: Display when setting parameters, 4 lines

- ① Current menu(s), submenu or function
- ② Number relating to ⑦
- ③ Denotes factory setting
- ④ Denotes permissible value range
- ⑤ Permissible value range for numeric values
- ⑥ Currently set value, unit or function (when selected, appears with white text, blue background)
This is where the data is changed.
- ⑦ Current parameter
- ⑧ Factory setting of parameter

6.1.4 Display when previewing parameters, 4 lines

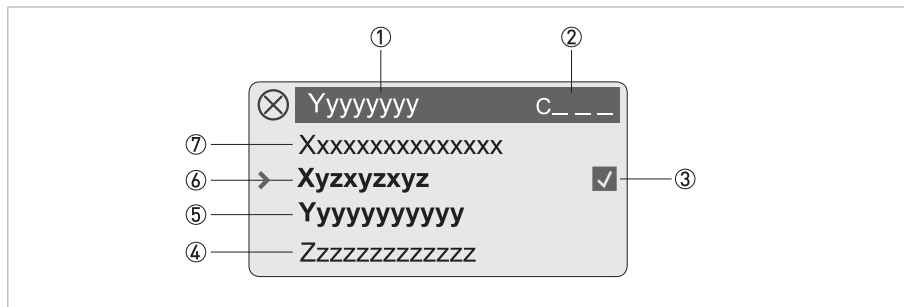


Figure 6-5: Display when previewing parameters, 4 lines

- ① Current menu(s), submenu or function
- ② Number relating to ⑥
- ③ Denotes a changed parameter (simple check of changed data when browsing through lists)
- ④ Next parameter
- ⑤ Currently set data from ⑥
- ⑥ Current parameter (for selection press key >; then see previous chapter)
- ⑦ Factory setting of parameter

6.1.5 Using an IR interface (option)

The optical IR interface serves as an adapter for PC-based communication with the signal converter without opening the housing.



INFORMATION!

- This device is not part of the scope of delivery.
- For more information about activation with the functions A6 or C6.6.7.

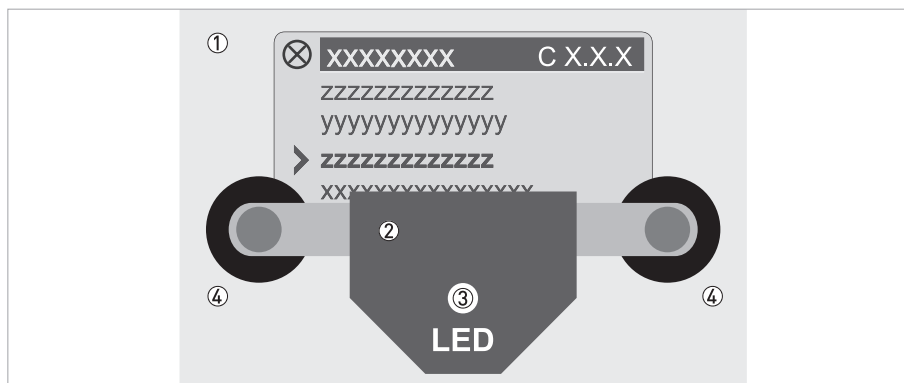


Figure 6-6: IR interface

- ① Glass panel in front of the control and display panel
- ② IR interface
- ③ LED lights up when IR interface is activated.
- ④ Suction cups

Timeout function

Following activation of the IR interface in Fct. A6 or C6.6.7 the interface must be properly positioned and attached to the housing with the suction cups within 60 seconds. If this does not happen within the specified time period, the device can be operated using the optical keys again. Upon activation, the LED ③ lights up and the optical keys no longer function.

6.2 Menu structure



INFORMATION!

Note the key function within and between the columns.

Measure mode	Select menu	Select menu and/or submenu	Select function and set data
←	Press > 2.5 s	↓ ↑	↓ ↑ >
	A Quick Setup	> ←	> ←
		A1 Language	
		A2 Tag	
		A3 Reset	> ←
			A3.1 Reset Errors
			A3.3 Totaliser 1
			A3.4 Totaliser 2
			A3.5 Totaliser 3
		A4 Analog Outputs	A4.1 Measurement
			A4.2 Unit
			A4.3 Range
			A4.4 Low Flow Cutoff
			A4.5 Time Constant
		A5 Digital Outputs	A5.1 Measurement
			A5.2 Pulse Value Unit
			A5.3 Value p. Pulse
			A5.4 Low Flow Cutoff
		A6 GDC IR interface	
	↓ ↑	↓ ↑	↓ ↑ >

Measuring mode	Select menu ↓ ↑	Select menu and/or submenu ↓ ↑	Select function and set data ↓ ↑ >																																																				
←	Press > 2.5 s																																																						
	B Test	> ←	<table border="1"> <tr> <td data-bbox="571 501 911 741">B1 Simulation</td> <td data-bbox="911 501 1254 741"> <table border="1"> <tr> <td data-bbox="911 501 1254 539">> ←</td> <td data-bbox="1254 501 1444 539">B1.1 Volume Flow</td> </tr> <tr> <td data-bbox="911 539 1254 577">> ←</td> <td data-bbox="1254 539 1444 577">B1.2 Velocity of sound</td> </tr> <tr> <td data-bbox="911 577 1254 616">> ←</td> <td data-bbox="1254 577 1444 616">B1._ Current Output X</td> </tr> <tr> <td data-bbox="911 616 1254 654">> ←</td> <td data-bbox="1254 616 1444 654">B1._ Status Output X</td> </tr> <tr> <td data-bbox="911 654 1254 692">> ←</td> <td data-bbox="1254 654 1444 692">B1._ Control Input X</td> </tr> <tr> <td data-bbox="911 692 1254 730">> ←</td> <td data-bbox="1254 692 1444 730">B1._ Pulse Output X</td> </tr> </table> </td> </tr> <tr> <td data-bbox="571 741 911 1099"></td> <td data-bbox="911 741 1254 1099"> <table border="1"> <tr> <td data-bbox="911 741 1254 779">> ←</td> <td data-bbox="1254 741 1444 779">B2.1 Act. volume flow</td> </tr> <tr> <td data-bbox="911 779 1254 817">> ←</td> <td data-bbox="1254 779 1444 817">B2.2 Act. mass flow</td> </tr> <tr> <td data-bbox="911 817 1254 855">> ←</td> <td data-bbox="1254 817 1444 855">B2.3 Act. vel. of sound</td> </tr> <tr> <td data-bbox="911 855 1254 893">> ←</td> <td data-bbox="1254 855 1444 893">B2.4 Act. Flow speed</td> </tr> <tr> <td data-bbox="911 893 1254 931">> ←</td> <td data-bbox="1254 893 1444 931">B2.5 Act. gain</td> </tr> <tr> <td data-bbox="911 931 1254 969">> ←</td> <td data-bbox="1254 931 1444 969">B2.6 Act. SNR</td> </tr> <tr> <td data-bbox="911 969 1254 1008">> ←</td> <td data-bbox="1254 969 1444 1008">B2.7 Act. Reynolds data</td> </tr> <tr> <td data-bbox="911 1008 1254 1046">> ←</td> <td data-bbox="1254 1008 1444 1046">B2.8 Operating Hours</td> </tr> <tr> <td data-bbox="911 1046 1254 1084">> ←</td> <td data-bbox="1254 1046 1444 1084">B2.9 Date and Time</td> </tr> </table> </td> </tr> <tr> <td data-bbox="571 1099 911 1460"></td> <td data-bbox="911 1099 1254 1460"> <table border="1"> <tr> <td data-bbox="911 1099 1254 1137">> ←</td> <td data-bbox="1254 1099 1444 1137">B3.1 Status Log</td> </tr> <tr> <td data-bbox="911 1137 1254 1176">> ←</td> <td data-bbox="1254 1137 1444 1176">B3.2 Status Details</td> </tr> <tr> <td data-bbox="911 1176 1254 1214">> ←</td> <td data-bbox="1254 1176 1444 1214">B3.3 C Number</td> </tr> <tr> <td data-bbox="911 1214 1254 1252">> ←</td> <td data-bbox="1254 1214 1444 1252">B3.4 Proces input</td> </tr> <tr> <td data-bbox="911 1252 1254 1290">> ←</td> <td data-bbox="1254 1252 1444 1290">B3.5 SW.REV. MS</td> </tr> <tr> <td data-bbox="911 1290 1254 1328">> ←</td> <td data-bbox="1254 1290 1444 1328">B3.6 SW.REV. UIS</td> </tr> <tr> <td data-bbox="911 1328 1254 1366">> ←</td> <td data-bbox="1254 1328 1444 1366">B3.8 Electronic Revision</td> </tr> <tr> <td data-bbox="911 1366 1254 1404">> ←</td> <td data-bbox="1254 1366 1444 1404">B3.9 Change log</td> </tr> </table> </td> </tr> </table>	B1 Simulation	<table border="1"> <tr> <td data-bbox="911 501 1254 539">> ←</td> <td data-bbox="1254 501 1444 539">B1.1 Volume Flow</td> </tr> <tr> <td data-bbox="911 539 1254 577">> ←</td> <td data-bbox="1254 539 1444 577">B1.2 Velocity of sound</td> </tr> <tr> <td data-bbox="911 577 1254 616">> ←</td> <td data-bbox="1254 577 1444 616">B1._ Current Output X</td> </tr> <tr> <td data-bbox="911 616 1254 654">> ←</td> <td data-bbox="1254 616 1444 654">B1._ Status Output X</td> </tr> <tr> <td data-bbox="911 654 1254 692">> ←</td> <td data-bbox="1254 654 1444 692">B1._ Control Input X</td> </tr> <tr> <td data-bbox="911 692 1254 730">> ←</td> <td data-bbox="1254 692 1444 730">B1._ Pulse Output X</td> </tr> </table>	> ←	B1.1 Volume Flow	> ←	B1.2 Velocity of sound	> ←	B1._ Current Output X	> ←	B1._ Status Output X	> ←	B1._ Control Input X	> ←	B1._ Pulse Output X		<table border="1"> <tr> <td data-bbox="911 741 1254 779">> ←</td> <td data-bbox="1254 741 1444 779">B2.1 Act. volume flow</td> </tr> <tr> <td data-bbox="911 779 1254 817">> ←</td> <td data-bbox="1254 779 1444 817">B2.2 Act. mass flow</td> </tr> <tr> <td data-bbox="911 817 1254 855">> ←</td> <td data-bbox="1254 817 1444 855">B2.3 Act. vel. of sound</td> </tr> <tr> <td data-bbox="911 855 1254 893">> ←</td> <td data-bbox="1254 855 1444 893">B2.4 Act. Flow speed</td> </tr> <tr> <td data-bbox="911 893 1254 931">> ←</td> <td data-bbox="1254 893 1444 931">B2.5 Act. gain</td> </tr> <tr> <td data-bbox="911 931 1254 969">> ←</td> <td data-bbox="1254 931 1444 969">B2.6 Act. SNR</td> </tr> <tr> <td data-bbox="911 969 1254 1008">> ←</td> <td data-bbox="1254 969 1444 1008">B2.7 Act. Reynolds data</td> </tr> <tr> <td data-bbox="911 1008 1254 1046">> ←</td> <td data-bbox="1254 1008 1444 1046">B2.8 Operating Hours</td> </tr> <tr> <td data-bbox="911 1046 1254 1084">> ←</td> <td data-bbox="1254 1046 1444 1084">B2.9 Date and Time</td> </tr> </table>	> ←	B2.1 Act. volume flow	> ←	B2.2 Act. mass flow	> ←	B2.3 Act. vel. of sound	> ←	B2.4 Act. Flow speed	> ←	B2.5 Act. gain	> ←	B2.6 Act. SNR	> ←	B2.7 Act. Reynolds data	> ←	B2.8 Operating Hours	> ←	B2.9 Date and Time		<table border="1"> <tr> <td data-bbox="911 1099 1254 1137">> ←</td> <td data-bbox="1254 1099 1444 1137">B3.1 Status Log</td> </tr> <tr> <td data-bbox="911 1137 1254 1176">> ←</td> <td data-bbox="1254 1137 1444 1176">B3.2 Status Details</td> </tr> <tr> <td data-bbox="911 1176 1254 1214">> ←</td> <td data-bbox="1254 1176 1444 1214">B3.3 C Number</td> </tr> <tr> <td data-bbox="911 1214 1254 1252">> ←</td> <td data-bbox="1254 1214 1444 1252">B3.4 Proces input</td> </tr> <tr> <td data-bbox="911 1252 1254 1290">> ←</td> <td data-bbox="1254 1252 1444 1290">B3.5 SW.REV. MS</td> </tr> <tr> <td data-bbox="911 1290 1254 1328">> ←</td> <td data-bbox="1254 1290 1444 1328">B3.6 SW.REV. UIS</td> </tr> <tr> <td data-bbox="911 1328 1254 1366">> ←</td> <td data-bbox="1254 1328 1444 1366">B3.8 Electronic Revision</td> </tr> <tr> <td data-bbox="911 1366 1254 1404">> ←</td> <td data-bbox="1254 1366 1444 1404">B3.9 Change log</td> </tr> </table>	> ←	B3.1 Status Log	> ←	B3.2 Status Details	> ←	B3.3 C Number	> ←	B3.4 Proces input	> ←	B3.5 SW.REV. MS	> ←	B3.6 SW.REV. UIS	> ←	B3.8 Electronic Revision	> ←	B3.9 Change log
B1 Simulation	<table border="1"> <tr> <td data-bbox="911 501 1254 539">> ←</td> <td data-bbox="1254 501 1444 539">B1.1 Volume Flow</td> </tr> <tr> <td data-bbox="911 539 1254 577">> ←</td> <td data-bbox="1254 539 1444 577">B1.2 Velocity of sound</td> </tr> <tr> <td data-bbox="911 577 1254 616">> ←</td> <td data-bbox="1254 577 1444 616">B1._ Current Output X</td> </tr> <tr> <td data-bbox="911 616 1254 654">> ←</td> <td data-bbox="1254 616 1444 654">B1._ Status Output X</td> </tr> <tr> <td data-bbox="911 654 1254 692">> ←</td> <td data-bbox="1254 654 1444 692">B1._ Control Input X</td> </tr> <tr> <td data-bbox="911 692 1254 730">> ←</td> <td data-bbox="1254 692 1444 730">B1._ Pulse Output X</td> </tr> </table>	> ←	B1.1 Volume Flow	> ←	B1.2 Velocity of sound	> ←	B1._ Current Output X	> ←	B1._ Status Output X	> ←	B1._ Control Input X	> ←	B1._ Pulse Output X																																										
> ←	B1.1 Volume Flow																																																						
> ←	B1.2 Velocity of sound																																																						
> ←	B1._ Current Output X																																																						
> ←	B1._ Status Output X																																																						
> ←	B1._ Control Input X																																																						
> ←	B1._ Pulse Output X																																																						
	<table border="1"> <tr> <td data-bbox="911 741 1254 779">> ←</td> <td data-bbox="1254 741 1444 779">B2.1 Act. volume flow</td> </tr> <tr> <td data-bbox="911 779 1254 817">> ←</td> <td data-bbox="1254 779 1444 817">B2.2 Act. mass flow</td> </tr> <tr> <td data-bbox="911 817 1254 855">> ←</td> <td data-bbox="1254 817 1444 855">B2.3 Act. vel. of sound</td> </tr> <tr> <td data-bbox="911 855 1254 893">> ←</td> <td data-bbox="1254 855 1444 893">B2.4 Act. Flow speed</td> </tr> <tr> <td data-bbox="911 893 1254 931">> ←</td> <td data-bbox="1254 893 1444 931">B2.5 Act. gain</td> </tr> <tr> <td data-bbox="911 931 1254 969">> ←</td> <td data-bbox="1254 931 1444 969">B2.6 Act. SNR</td> </tr> <tr> <td data-bbox="911 969 1254 1008">> ←</td> <td data-bbox="1254 969 1444 1008">B2.7 Act. Reynolds data</td> </tr> <tr> <td data-bbox="911 1008 1254 1046">> ←</td> <td data-bbox="1254 1008 1444 1046">B2.8 Operating Hours</td> </tr> <tr> <td data-bbox="911 1046 1254 1084">> ←</td> <td data-bbox="1254 1046 1444 1084">B2.9 Date and Time</td> </tr> </table>	> ←	B2.1 Act. volume flow	> ←	B2.2 Act. mass flow	> ←	B2.3 Act. vel. of sound	> ←	B2.4 Act. Flow speed	> ←	B2.5 Act. gain	> ←	B2.6 Act. SNR	> ←	B2.7 Act. Reynolds data	> ←	B2.8 Operating Hours	> ←	B2.9 Date and Time																																				
> ←	B2.1 Act. volume flow																																																						
> ←	B2.2 Act. mass flow																																																						
> ←	B2.3 Act. vel. of sound																																																						
> ←	B2.4 Act. Flow speed																																																						
> ←	B2.5 Act. gain																																																						
> ←	B2.6 Act. SNR																																																						
> ←	B2.7 Act. Reynolds data																																																						
> ←	B2.8 Operating Hours																																																						
> ←	B2.9 Date and Time																																																						
	<table border="1"> <tr> <td data-bbox="911 1099 1254 1137">> ←</td> <td data-bbox="1254 1099 1444 1137">B3.1 Status Log</td> </tr> <tr> <td data-bbox="911 1137 1254 1176">> ←</td> <td data-bbox="1254 1137 1444 1176">B3.2 Status Details</td> </tr> <tr> <td data-bbox="911 1176 1254 1214">> ←</td> <td data-bbox="1254 1176 1444 1214">B3.3 C Number</td> </tr> <tr> <td data-bbox="911 1214 1254 1252">> ←</td> <td data-bbox="1254 1214 1444 1252">B3.4 Proces input</td> </tr> <tr> <td data-bbox="911 1252 1254 1290">> ←</td> <td data-bbox="1254 1252 1444 1290">B3.5 SW.REV. MS</td> </tr> <tr> <td data-bbox="911 1290 1254 1328">> ←</td> <td data-bbox="1254 1290 1444 1328">B3.6 SW.REV. UIS</td> </tr> <tr> <td data-bbox="911 1328 1254 1366">> ←</td> <td data-bbox="1254 1328 1444 1366">B3.8 Electronic Revision</td> </tr> <tr> <td data-bbox="911 1366 1254 1404">> ←</td> <td data-bbox="1254 1366 1444 1404">B3.9 Change log</td> </tr> </table>	> ←	B3.1 Status Log	> ←	B3.2 Status Details	> ←	B3.3 C Number	> ←	B3.4 Proces input	> ←	B3.5 SW.REV. MS	> ←	B3.6 SW.REV. UIS	> ←	B3.8 Electronic Revision	> ←	B3.9 Change log																																						
> ←	B3.1 Status Log																																																						
> ←	B3.2 Status Details																																																						
> ←	B3.3 C Number																																																						
> ←	B3.4 Proces input																																																						
> ←	B3.5 SW.REV. MS																																																						
> ←	B3.6 SW.REV. UIS																																																						
> ←	B3.8 Electronic Revision																																																						
> ←	B3.9 Change log																																																						
	↓↑	↓↑	↓↑																																																				
	↓↑>																																																						

Measuring mode	Select menu	Select menu and/or sub-menu	Select function and set data
←	Press > 2.5 s		
	C setup	> C1 process input <← > C1.1 meter size <← C1.2 calibration C1.3 filter C1.4 plausibility C1.5 simulation C1.6 information C1.7 linearization C1.8 pipe temperature C1.9 density C1.10 diagnosis > C2 I/O (input/output) <← C2.1 hardware C2._ current output X C2._ frequency output X C2._ pulse output X C2._ status output X C2._ limit switch X C2.□ control input X > C3 I/O totalizers <← C3.1 totalizer 1 C3.2 totalizer 2 C3.3 totalizer 3 > C4 I/O HART <← C4.1 PV is C4.2 SV is C4.3 TV is C4.4 4V is C4.5 HART units > C5 device <← C5.1 device info C5.2 display C5.3.1. meas. page C5.4.2. meas. page C5.5 graphic page C5.6 special functions C5.7 units C5.8 HART C5.9 quick setup	> <←
	↓ ↑	↓ ↑	↓ ↑ >

6.3 Function tables



INFORMATION!

- The following tables describe the functions of the standard device with HART[®] connection. The functions for Modbus, Foundation Fieldbus and Profibus are described in detail in the corresponding supplementary instructions.
- Depending on the device version, not all functions are available.

6.3.1 Menu A, Quick Setup

No.	Function	Setting / Description
-----	----------	-----------------------

A1 Language

A1	Language	Language selection depends on the device version.
----	----------	---

A2 Tag

A2	Tag	Measuring point identifier (Tag no.) (also for HART [®] operation) appears in the LCD header (max. 8 digits).
----	-----	--

A3 Reset

A3	Reset	
A3.1	Reset Errors	Reset Errors? Select: no/yes
A3.2	Totaliser 1	Reset Totaliser? Select: No / Yes
A3.3	Totaliser 2	Reset Totaliser? Select: No / Yes
A3.4	Totaliser 3	Reset Totaliser? Select: No / Yes

A4 Analogue Outputs (only for HART[®])

A4	Analogue Outputs	Applicable to all current outputs (terminals A, B and C), frequency outputs (terminals A, B and D), limit switch (terminals A, B, C, and / or D) and the 1st display page / line 1.
A4.1	Measurement	1) Select measurement: Volume Flow / Velocity of Sound / Mass Flow / Flow Speed / Gain / SNR / diagn flow speed, diagn VoS, diagn gain, diagn SNR. 2) Use for all outputs? (also use this setting for Fct. A4.2...A4.5!) Setting: no (applies only to the main current output) / yes (applies to all analogue outputs)
A4.2	Unit	Selection of the unit from a list, depending on the measurement.
A4.3	Range	1) Setting for main current output (range: 0...100%) Setting: 0...x.xx (format and unit, depending on measurement, see A4.1 and A4.2 above) 2) Use for all outputs? Make setting, see Fct. A4.1 above!
A4.4	Low Flow Cutoff	1) Setting for main current output (sets output value to "0") Setting: x.xxx ± x.xxx% (Range: 0.0...20%) (1st value = switching point / 2nd value = hysteresis), condition: 2nd value ≤ 1st value 2) Use for all outputs? Make setting, see Fct. A4.1 above!
A4.5	Time Constant	1) Setting for main current output (applicable to all flow measurements) Setting: xxx.x s (range: 000.1...100 s) 2) Use for all outputs? Make setting, see Fct. A4.1 above!

No.	Function	Setting / Description
-----	----------	-----------------------

A4 Station Address

A4	Station Address	For Profibus / FF / Modbus devices.
----	-----------------	-------------------------------------

A5 Digital Outputs

A5	Digital Outputs	Valid for all pulse outputs (terminals A, B and/or D) and totaliser 1.
A5.1	Measurement	1) Select measurement: Volume Flow / Mass Flow 2) Use for all outputs? (also use this setting for Fct. A5.2...A5.5!) Setting: No (only for pulse output D) / Yes (for all digital outputs)
A5.2	Pulse Value Unit	Selection of the unit from a list, depending on the measurement.
A5.3	Value p. Pulse	1) Setting for pulse output D (volume or mass value per pulse) Setting: xxx.xxx in l/s or kg/s 2) Use for all outputs? Make setting, see Fct. A5.1 above!
A5.4	Low Flow Cutoff	1) Setting for pulse output D (sets output value to "0") Setting: x.xxx ± x.xxx% (range: 0.0...20%) (1st value = switching point / 2nd value = hysteresis), condition: 2nd value ≤ 1st value 2) Use for all outputs? Make setting, see Fct. A5.1 above!

A6 GDC IR interface

A6	GDC IR Interface	After this function has been activated an optical GDC adapter can be connected to the LC display. After 60 seconds pass without a connection being established or after the adapter is removed, the function is exited and the optical keys are active again.
		Break (exit function without connection)
		Activate (the IR interface adapter and interrupt the optical keys)

6.3.2 Menu B; test

No.	Function	Setting / Description
-----	----------	-----------------------

B0 Test

B1	Simulation	Simulation
B1.1	Volume Flow	Simulation of volume flow
B1.2	Velocity of Sound	Simulation of velocity of sound
B1.3	Terminals A	Sets simulated value of output on Terminal A
B1.4	Terminals B	Sets simulated value of output on Terminal B
B1.5	Terminals C	Sets simulated value of output on Terminal C
B1.6	Terminals D	Sets simulated value of output on Terminal D

B2 Actual Values

B2	Actual values	Display of actual values;
B2.1	Act. volume flow	Displays current unfiltered volume flow
B2.2	Act. mass flow	Displays current unfiltered mass flow
B2.3	Act. velocity of sound	Displays current unfiltered velocity of sound
	B2.3.1 path 1	Value path 1
	B2.3.2 path 2	Value path 2
	B2.3.3 path 3	Value path 3
B2.4	Act. flow speed	Displays current unfiltered flow speed
	B2.4.1 path 1	Value path 1
	B2.4.2 path 2	Value path 2
	B2.4.3 path 3	Value path 3
B2.5	Act. gain	Displays current unfiltered gain
	B2.5.1 path 1	Value path 1
	B2.5.2 path 2	Value path 2
	B2.5.3 path 3	Value path 3
B2.6	Act. SNR	Displays current unfiltered SNR
	B2.6.1 path 1	Value path 1
	B2.6.2 path 2	Value path 2
	B2.6.3 path 3	Value path 3
B2.7	Reynolds data	Displays current number & correction
B2.8	Operating hours	Displays device operating hours
B2.9	Date and Time	Displays device date & time setting yyyy-mm-dd hh:mm

B3 Information

B3	Information	
B3.1	Status Log	Log for errors and warnings
B3.2	Status Details	Present errors and warnings in NE107 groups
B3.3	C Number	Displays C number of the installed electronics
B3.4	Process input	Displays information of the sensor electronics PCB
	B3.4.1 Sensor CPU	Displays information of the sensor CPU software

	B3.4.2 Sensor DSP	Displays information of the sensor DSP software
	B3.4.3 Sensor Driver	Displays information of the sensor driver hardware
B3.5	SW. REV. MS	Displays information of Main Software
B3.6	SW. REV. UIS	Displays information of User Interface
B3.7	"Bus interface"	Only appears with Profibus, Modbus and FF
	B3.7.0 Profibus	Displays information of the Profibus interface
	B3.7.0 Foundation Field Bus	Displays information of the Foundation Fieldbus interface
	B3.7.0 Modbus	Displays information of the Modbus interface
B3.8	Electronic Revision	Displays information of the Electronics Revision
B3.9	Change Log	The last changes of parameters are listed in this menu point, together with date and time. As a reference a CRC (checksum) over all parameters is used. This reference can be used by the customer for their documentation. The preview shows the actual CRC.

6.3.3 Menu C; setup

No.	Function	Settings / descriptions
-----	----------	-------------------------

C1 Setup

C1.1 Process Input

C1.1	Meter size	Sets the pipe diameter
C1.2	Calibration	Zero Offset
	C1.2.1 Zero Calibration	Direct setting of zero offset
	C1.2.2 GK	Sets the meter factor
C1.3	Filters	
	C1.3.1 Limitation	Limits for the flow speed
	C1.3.2 Flow Direction	Set polarity of flow direction
	C1.3.3 Time constant	Sets timing constant of the sensor
	C1.3.4 Low flow cutoff	Sets the low flow cutoff
C1.4	Plausibility	Error filtering
	1.4.1 error limit	sets the error limit in percentage of the measured value: exceeding values will be discarded and plausibility counter increased
	1.4.2 counter decrease	Sets the decrease of the plausibility counter when the measurement is within limits
	1.4.3 counter limit	Sets the limit for the plausibility counter for which measurements will not be discarded
C1.5	Simulation	Simulation
	C1.5.1 Volume flow	Simulation of volume flow
	C1.5.2 Velocity of sound	Simulation of velocity of sound
C1.6	Information	Information

No.	Function	Settings / descriptions
	C1.6.1 Sensor CPU	Displays the ID of the CPU on the FrontEnd
	C1.6.2 Sensor DSP	Displays the ID of the DSP on the FrontEnd
	C1.6.3 Sensor driver	Displays the ID of the Sensor Driver on the FrontEnd
	C1.6.4 Calibration date	Displays the date of calibration of the sensor
	C1.6.5 Serial no. Sensor	Displays the serial number of the measuring sensor
	C1.6.6 V no. Sensor	Displays the Order number of the measuring sensor
C1.7	Linearization	Linearization
	C1.7.1 Linearization	Compensation for errors made at different Reynolds numbers
	C1.7.2 Dynamic viscosity	Sets the value of the dynamic viscosity for Reynolds calculation
C1.8	Pipe temperature	Temperature compensation
C1.9	Density	Sets the density of the fluid
C1.10	Diagnosis	
	C1.10.1 Diagnosis 1	Sets the parameter to be assigned to cyclic value; none, flow speed (1-2-3), velocity of sound (1-2-3)
	C1.10.2 Diagnosis 2	Sets the parameter to be assigned to cyclic value ; none, gain (1-2-3), SNR (1-2-3)
	C1.10.3 Proc: Empty pipe	Change NE107 status signal for status group "Proc: Empty pipe"
	C1.10.4 Proc: Signal Lost	Change NE107 status signal for status group "Proc: Signal Lost"
	C1.10.5 Proc: Signal Unreliable	Change NE107 status signal for status group "Proc: Signal Unreliable"
	C1.10.6 Config: Totaliser	Change NE107 status signal for status group "Config: Totaliser"
	C1.10.7 Electr: IO Connection	Change NE107 status signal for status group "Electr: IO Connection"
	C1.10.8 Electr: Power Failure	Change NE107 status signal for status group "Electr: Power Failure"

No.	Function	Settings / descriptions
-----	----------	-------------------------

C2 I/O

C2_	I/O	
C2.1	Hardware	Configuration of connection terminals. Selection depends on signal converter version.
	C2.1.1 Terminal A	Sets the output associated with terminal A Select: Off (switched off) / current output / frequency output / pulse output / status output / limit switch / control input
	C2.1.2 Terminal B	Sets the output associated with terminal B Select: Off (switched off) / current output / frequency output / pulse output / status output / limit switch / control input
	C2.1.3 Terminal C	Sets the output associated with terminal C Select: Off (switched off) / current output / status output / limit switch
	C2.1.4 Terminal D	Sets the output associated with terminal D Select: Off (switched off) / frequency output / pulse output / status output / limit switch

No.	Function	Settings / descriptions
-----	----------	-------------------------

C2.2_ Current Output A

	C2.2.1 Range 0%...100%	Range setting for current output A
	C2.2.2 Extended Range	Min. and max. settings for current output A
	C2.2.3 Error Current	Error current setting for error current output A
	C2.2.4 Error Condition	Sets condition for error current output A
	C2.2.5 Measurement	Measurement value for current output A; volume flow, velocity of sound, mass flow, flow speed, gain, SNR, diagn flow speed, diagn VoS, diagn gain, diagn SNR.
	C2.2.6 Range	Measurement value range for current output A
	C2.2.7 Polarity	Set response of current output A to measurement polarity
	C2.2.8 Limitation	Limitation before applying the time constant.
	C2.2.9 Low Flow Cutoff	Low flow cutoff for current output A
	C2.2.10 Time Constant	Time constant for current output A
	C2.2.11 Special Function	Range change setting for current output A
	C2.2.12 Threshold	Threshold value for range change setting for current output A
	C2.2.13 Information	Displays information of current output I/O board
	C2.2.14 Simulation	Sets simulated output of current output A
	C2.2.15 4mA Trimming	Trimming of current output A at 4 mA
	C2.2.16 20mA Trimming	Trimming of current output A at 20 mA

C2.2_ Frequency Output A

	C2.2.1 Pulse Shape	Pulse shape of frequency A
	C2.2.2 Pulse Width	Pulse width of frequency A
	C2.2.3 100% Pulse Rate	Pulse rate for 100% of the measuring range for frequency output A; Range: 1...10000 Hz Limitation 100% Pulse Rate \leq 100/s: $I_{max} \leq 100$ mA Limitation 100% Pulse Rate $>$ 100/s: $I_{max} \leq 20$ mA
	C2.2.4 Measurement	Measurements for activating the output. Select measurement: Volume Flow / Mass Flow / Velocity of sound / flow speed / Gain / SNR / diagn flow speed, diagn VoS, diagn gain, diagn SNR.
	C2.2.5 Range	0...100% of the measurement set in Fct. C2._.4 x.xx...xx.xx _ _ _ (format and unit depend on the measurement, see above)
	C2.2.6 Polarity	Set measured value polarity, please note flow direction in C1.3.2! Select: Both Polarities (plus and minus values are displayed) / Positive Polarity (display for negative values = 0) / Negative Polarity (display for positive values = 0) / Absolute Value (always displays positive, with both negative and positive values)
	C2.2.7 Limitation	Limitation before applying the time constant. \pm xxx ... \pm xxx%; range: -150...+150%
	C2.2.8 Low Flow Cutoff	Sets the measurement to "0" for low values x.xxx \pm x.xxx%; range: 0.0...20% (1st value = switching point / 2nd value = hysteresis), condition: 2nd value \leq 1st value

No.	Function	Settings / descriptions
	C2.2.9 Time Constant	Range: 000.1...100 s
	C2.2.10 Invert Signal	Select: Off (activated output: switch closed) / On (activated output: switch open)
	C2.2.11 Special Functions	This function is only available at the terminal B frequency output. At the same time, 2 frequency outputs must be available: 1st output at terminal A or D / 2nd output at terminal B
		The B output is operated as a slave output, controlled and set using master output A or D
		Select: Off (no phase shift) / Phase Shift w.r.t. D or A (slave output is B and master output is D or A)
	C2.2.12 Information	Serial no. of the I/O board, software version no. and production date of the circuit board
	C2.2.13 Simulation	Sequence see B1._ Frequency Output X

C2._ Pulse Output A

C2._	Pulse Output X	X stands for one of the connection terminals A, B or D
C2._1	Pulse Shape	Specify the pulse shape
		Select: Symmetric (about 50% on and 50% off) / Automatic (constant pulse with about 50% on and 50% off at 100% pulse rate) / Fixed (fixed pulse rate, setting see below Fct. C2._3 100% pulse rate)
C2._2	Pulse Width	Only available if set to "Fixed" in Fct. C2._1.
		Range: 0.05...2000 ms
		Note: max. setting value T_p [ms] ≤ 500 / max. pulse rate [1/s], gives the pulse width = time where the output is activated
C2._3	Max. Pulse Rate	Pulse rate for 100% of the measuring range
		Range: 0.0...10000 1/s
		Limitation 100% pulse rate ≤ 100 /s: $I_{max} \leq 100$ mA Limitation 100% pulse rate > 100 /s: $I_{max} \leq 20$ mA
C2._4	Measurement	Measurements for activating the output
		Select: Volume Flow / Mass Flow
C2._5	Pulse Value Unit	Selection of the unit from a list, depending on the measurement
C2._6	Value p. Pulse	Set value for volume or mass per pulse.
		xxx.xxx, measured value in [l] or [kg] depending on setting in C3._6
		At max. pulse rate see above 2._3 Pulse Output
C2._7	Polarity	Set polarity, please note Flow Direction
		Select: Both Polarities (plus and minus values are displayed) / Positive Polarity (display for negative values = 0) / Negative Polarity (display for positive values = 0) / Absolute Value (always displays positive, with both negative and positive values)
C2._8	Low Flow Cutoff	Sets the measurement to "0" for low values
		x.xxx \pm x.xxx%; range: 0.0...20%
		[1st value = switching point / 2nd value = hysteresis], condition: 2nd value \leq 1st value
C2._9	Time Constant	Range: 000.1...100 s

No.	Function	Settings / descriptions
C2._.10	Invert Signal	Select: Off (activated output: switch closed) / On (activated output: switch open)
C2._.11	Phase Shift w.r.t. B	Only available when configuring the A or D terminal and only if output B is a pulse or frequency output. If setting in Fct. C2.2.7 is "Both Polarities", the phase shift is prefixed by a symbol, e.g. -90° and +90° Select: Off (no phase shift) / 0° Phase Shift (between outputs A or D and B, inversion possible) / 90° Phase Shift (between outputs A or D and B, inversion possible) / 180° Phase Shift (between outputs A or D and B, inversion possible)
C2.3.11	Special Functions	This function is only available at the pulse output of terminal B. At the same time, 2 pulse outputs must be available: 1st output at terminal A or D / 2nd output at terminal B The B output is operated as a slave output, controlled and set using master output A or D Select: Off (no phase shift) / Phase Shift w.r.t. D or A (slave output is B and master output is D or A)
C2._.12	Information	Serial no. of the I/O board, software version no. and production date of the circuit board
C2._.13	Simulation	Sequence see B1._ Pulse Output X

C2._ Status Output X

C2._	Status Output X	X (Y) stands for one of the connection terminals A, B, C or D
C2._.1	Mode	The output shows the following measuring conditions: Out Of Specification (output set, signals status of category "Error in Device" or "Application Failure" or "Out Of refer to <i>Status messages and diagnostic information</i> on page 82) / Application Failure (output set, signals status of category "Error in Device" or "Application Failure" refer to <i>Status messages and diagnostic information</i> on page 82) / Flow Polarity (polarity of the current flow) Flow Over Range (over range of the flow) Totaliser 1 Preset (activates when totaliser X preset value is reached) / Totaliser 2 Preset (activates when totaliser X preset value is reached) / Totaliser 3 Preset (activates when totaliser X preset value is reached) / Output A (activated by the status of output Y, additional output data see below) / Output B (activated by the status of output Y, additional output data see below) / Output C (activated by the status of output Y, additional output data see below) / Output D (activated by the status of output Y, additional output data see below) / Off (switched off) / Empty Pipe (when pipe empty, output activated) / Error in Device (output set, signals status of category "Error in Device" refer to <i>Status messages and diagnostic information</i> on page 82)
C2._.2	Current Output Y	Only appears if output A...C is set under "Mode" (see above), and this output is a "Current Output". Polarity (is signalled) Over Range (is signalled) Automatic Range signals lower range
C2._.2	Frequency Output Y and Pulse Output Y	Only appears if output A, B or D is set under "Mode" (see above), and this output is a "Frequency/Pulse Output". Polarity (is signalled) Over Range (is signalled)

No.	Function	Settings / descriptions
C2._2	Status Output Y	Only appears if output A...D is set under "Mode" (see above), and this output is a "Status Output".
		Same Signal (like other connected status output, signal can be inverted, see below)
C2._2	Limit Switch Y and Control Input Y	Only appears if output A...D / input A or B is set under "Mode" (see above), and this output / input is a "Limit Switch / Control Input".
		Status Off (is always selected here if Status Output X is connected with a Limit Switch / Control Input Y).
C2._2	Output Y	Only appears if output A...D is set under "Mode" (see above) and this output is switched off.
C2._3	Invert Signal	Select: Off (activated output: switch closed) / On (activated output: switch open)
C2._4	Information	Serial no. of the I/O board, software version no. and production date of the circuit board
C2._5	Simulation	Sequence see B1._ Status Output X

C2._ Limit Switch X

C2._	Limit Switch X	X stands for one of the connection terminals A, B, C or D
C2._1	Measurement	Select: Volume Flow / Mass Flow / Flow Speed / Velocity of Sound / Gain / SNR / diagn flow speed, diagn VoS, diagn gain, diagn SNR
C2._2	Threshold	Switching level, set threshold with hysteresis
		xxx.x ±x.xxx (format and unit depend on the measurement, see above)
		[1st value = threshold / 2nd value = hysteresis], condition: 2nd value ≤ 1st value
C2._3	Polarity	Set polarity, please note Flow Direction
		Select: Both Polarities (plus and minus values are displayed) / Positive Polarity (display for negative values = 0) / Negative Polarity (display for positive values = 0) / Absolute Value (always displays positive, with both negative and positive values)
C2._4	Time Constant	Range: 000.1...100 s
C2._5	Invert Signal	Select: Off (activated output: switch closed) / On (activated output: switch open)
C2._6	Information	Serial no. of the I/O board, software version no. and production date of the circuit board
C2._7	Simulation	Sequence see B1._ Limit Switch X

C2._ Control Input X

C2._	Control Input X	
C2._.1	Mode	X stands for connection terminal A or B Off (control input switched off) / Hold All Outputs (hold current values, not display and totalisers) / Output Y (hold current values) / All Outputs To Zero (current values = 0%, not display and totalisers) / Output Y To Zero (current value = 0%) / All Totalisers (reset all totalisers to "0") / Totaliser "Z" Reset (set totaliser 1, (2 or 3) to "0") / Stop All Totalisers / Stop Totaliser "Z" (stops totaliser 1, (2 or 3) / Zero Outp.+Stop Tot. (all outputs 0%, stop all totalisers, not the display) / External Range Y (control input for external range of current output Y) - also make this setting on current output Y (no check if current output Y is available) / Error Reset (all resettable errors are deleted) Zero Calibration
C2._.2	Invert Signal	Select: Off (activated output: switch closed) / On (activated output: switch open)
C2._.3	Information	Serial no. of the I/O board, software version no. and production date of the circuit board
C2._.4	Simulation	Sequence see B1._ Control Input X

No.	Function	Settings / descriptions
-----	----------	-------------------------

C3 I/O Totalisers

C3.1	Totaliser 1	Set function of totaliser. _ stands for 1, 2, 3 (= Totaliser 1, 2, 3) The basic version (standard) has only 2 totaliser!
C3.2	Totaliser 2	
C3.3	Totaliser 3	
C3._.1	Totaliser Function	Select: Absolute Total (counts positive + negative values) / +Totaliser (counts only the positive values) / -Totaliser (counts only the negative values) / Off (Totaliser is switched off)
C3._.2	Measurement	Selection of the measurement for Totaliser _ Select: Volume Flow / Mass Flow
C3._.3	Low Flow Cutoff	Sets the measurement to "0" for low values Range: 0.0...20% (1st value = switching point / 2nd value = hysteresis), condition: 2nd value ≤ 1st value
C3._.4	Time Constant	Range: 000.1...100 s
C3._.5	Preset Value	If this value is reached, positive or negative, a signal is generated that can be used for a status output at which "Preset Totaliser X" has to be set. Preset value (max. 8 digits) x.xxxxx in selected unit, see C5.7.10 + 13
C3._.6	Reset Totaliser	Sequence see Fct. A3.2, A3.3 and A3.4

No.	Function	Settings / descriptions
C3._7	Set Totaliser	Set Totaliser _ to the desired value
		Select: Break (exit function) / Set Value (opens the editor to make the entry)
		Query: Set Totaliser?
		Select: No (exit function without setting the value) / Yes (sets the totaliser and exits the function)
C3._8	Stop Totaliser	Totaliser _ stops and holds the current value.
		Select: No (exits the function without stopping the totaliser) / Yes (stops the totaliser and exits the function)
C3._9	Start Totaliser	Start Totaliser _ after that totaliser is stopped
		Select: No (exits the function without starting the totaliser) / Yes (starts the totaliser and exits the function)
C3._10	Information	Serial no. of the I/O board, software version no. and production date of the circuit board

No.	Function	Settings / descriptions
-----	----------	-------------------------

C4 I/O HART

C4	I/O HART	Selection or display of the 4 dynamic variables (DV) for HART®
		The HART® current output (terminal A basic I/Os or terminal C modular I/Os) always has a fixed link to the primary variables (PV). Fixed links of the other DVs (1-3) are only possible if additional analogue outputs (current and frequency output) are available; if not, the measurement can be freely selected from the following list: in Fct. A4.1 "Measurement"
		_ stands for 1, 2, 3 or 4 X stands for connection terminals A...D
C4.1	PV is	Current output (primary variable)
C4.2	SV is	(secondary variable)
C4.3	TV is	(tertiary variable)
C4.4	4V is	(4th variable)
C4.5	HART Units	Changes units of DVs (dynamic variables) in the display
		Break: return with ← key
		HART® display: copies the settings for the display units to the settings for DVs
		Standard: factory settings for DVs
C4._1	Current Output X	Shows the current analog measured value of the linked current output. The measurement cannot be changed!
C4._1	Frequency Output X	Shows the current analog measured value of the linked frequency output, if present. The measurement cannot be changed!
C4._1	HART Dynamic Var.	Measurements of the dynamic variables for HART®.
		Select: Volume Flow / Mass Flow / Diagnosis / Velocity / Totaliser 1 / Totaliser 2 / Totaliser 3 / Operating Hours

No.	Function	Settings / descriptions
-----	----------	-------------------------

C5 Device

C5.1 Device Info

C5.1	Device Info	-
C5.1.1	Tag	Settable characters (max. 8 digits): A...Z; a...z; 0...9; / - , .
C5.1.2	C Number	Displays the CG number of the installed electronics
C5.1.3	Device Serial No.	Serial no. of the measuring sensor, cannot be changed
C5.1.4	Electronics Serial No.	Displays the serial number of the electronics
C5.1.5	Information	Empty
C5.1.6	Electronic Revision ER	Displays the electronic revision of the electronics

C5.2 Display

C5.2	Display	-
C5.2.1	Language	Language selection depends on the device version.
C5.2.2	Contrast	Adjust display contrast for extreme temperatures. Setting: -9...0...+9 This change takes place immediately, not just when setting mode is exited!
C5.2.3	Default Display	Specification of the default display page that is returned to after a short delay period. Select: None (the current page is always active) / 1st Meas. Page (show this page) / 2nd Meas. Page (show this page) / Status Page (show only status messages) / Graphic Page (trend display of the 1st measurement)
C5.2.4	Optical Keys	Activate or deactivate the optical keys Select: On / Off

C5.3 and C5.4 1st Meas. Page and 2nd Meas. Page

C5.3	1st Meas. Page	_ stands for 3 = 1st Meas. Page and 4 = 2nd Meas. Page
C5.4	2nd Meas. Page	
C5._.1	Function	Specify number of measured value lines (font size) Select: One Line / Two Lines / Three Lines
C5._.2	1st Line Variable	Specify 1st Line Variable Select measurement: Volume Flow / Mass Flow / Flow Speed / Velocity of Sound / Gain / SNR / diagn flow speed, diagn VoS, diagn gain, diagn SNR.
C5._.3	Range	0...100% of the measurement set in Fct. C5._.2 x.xx...xx.xx _ _ _ (format and unit depend on the measurement)
C5._.4	Limitation	Limitation before applying the time constant $\pm xxx \dots \pm xxx\%$; range: -150...+150%
C5._.5	Low Flow Cutoff	Sets low flow values to "0" $x.xxx \pm x.xxx \%$; Range: 0.0...20 % (1st value = switching point / 2nd value = hysteresis), condition: 2nd value \leq 1st value
C5._.6	Time Constant	Range: 000.1...100 s
C5._.7	1st Line Format	Specify decimal places. Select: Automatic (adaptation is automatic) / X (= none) ...X.XXXXXXXX (max. 8 digits) depends on size of font

C5._8	2nd Line Variable	Specify 2nd Line Variable (only available if this 2nd line is activated)
		Select: Bar Graph (for measurement selected in the 1st line) Volume Flow / Mass Flow / Flow Speed / Velocity of Sound / Gain / SNR / diagn flow speed, diagn VoS, diagn gain, diagn SNR. Totalisers / Operating hours
C5._9	2nd Line Format	Specify decimal places
		Select: Automatic (adaptation is automatic) / X (= none) ...X.XXXXXXXX (max. 8 digits) depends on size of font
C5._10	3rd Line Variable	Specify 3rd Line Variable (only available if this 3rd line is activated)
		Select: Volume Flow / Mass Flow / Flow Speed / Velocity of Sound / Gain / SNR / diagn flow speed, diagn VoS, diagn gain, diagn SNR / Totalisers / Operating hours
C5._11	3rd Line Format	Specify decimal places.
		Select: Automatic (adaptation is automatic) / X (= none) ...X.XXXXXXXX (max. 8 digits) depends on size of font

C5.5 Graphic Page

C5.5	Graphic Page	-
C5.5.1	Select Range	Graphic page always shows trend curve of the measurement of the 1st page / 1st line, see Fct. C6.3.2
		Select: Manual (set range in Fct. C5.5.2) ; Automatic (automatic depiction based on the measured values)
		Reset only after parameter change or after switching off and on.
C5.5.2	Range	Set the scaling for the Y axis. Only available if "Manual" is set in C5.5.1.
		$\pm xxx \pm xxx\%$; range: -100...+100%
		(1st value = lower limit / 2nd value = upper limit), condition: 1st value \leq 2nd value
C5.5.3	Time Scale	Set the time scaling for the X axis, trend curve
		xxx min; range: 0...100 min

C5.6 Special Functions

C5.6	Special Functions	-
C5.6.1	Reset Errors	Reset Errors?
		Select: No / Yes
C5.6.2	Save Settings	Save current settings. Select: Break (exit function without saving) / Backup 1 (save in storage location 1) / Backup 2 (save in storage location 2)
		Query: Continue To Copy? (cannot be done afterwards) Select: No (exit function without saving) / Yes (copy current settings to storage backup 1 or backup 2)
C5.6.3	Load Settings	Load saved settings Select: Break (exit function without loading) / factory settings (restore factory settings) / backup 1 (load data from storage location 1) / backup 2 (load data from storage location 2)
		Query: Continue To Copy? (cannot be done afterwards) Select: No (exit the function without saving) / Yes (load data from the selected storage location)
C5.6.4	Password Quick Set	Password required to change data in the quick setup menu.
		0000 (= to quick setup menu without password)
		xxxx (password required); range 4 digits: 0001...9999

C5.6.5	Password Setup	Password required to change data in the setup menu
		0000 (= to quick setup menu without password)
		xxxx (password required); range 4 digits: 0001...9999
C5.6.6	Date and Time	Set real time
C5.6.8	GDC IR Interface	After this function has been activated an optical GDC adapter can be connected to the LC display. If approximately 60 seconds pass without a connection being established or after the adapter is removed, then the function is exited and the optical keys are active once again.
		Break (exit function without connection)
		Activate (the IR interface adapter and interrupt the optical keys)
		If approximately 60 seconds pass without a connection being established, then the function is exited and the optical keys are active once again.

C5.7 Units

C5.7	Units	
C5.7.1	Size	Sets displayed units for the pipe diameter
C5.7.2	Volume Flow	m ³ /h; m ³ /min; m ³ /s; L/h; L/min; L/s (L = litres); IG/s; IG/min; IG/h cf/h; cf/min; cf/s; gal/h; gal/min; gal/s; barrel/h; barrel/day Free Unit (set factor and text in the next two functions, sequence see below)
C5.7.3	Text Free Unit	For text to be specified refer to <i>Set free units</i> on page 77:
C5.7.4	[m ³ /s]*Factor	Specification of the conversion factor, based on m ³ /s:
		xxx.xxx refer to <i>Set free units</i> on page 77
C5.7.5	Mass Flow	kg/s; kg/min; kg/h; t/min; t/h; g/s; g/min; g/h; lb/s; lb/min; lb/h; ST/min; ST/h (ST = Short Ton); LT/h (LT = Long Ton); Free Unit (set factor and text in the next two functions, sequence see below)
C5.7.6	Text Free Unit	For text to be specified refer to <i>Set free units</i> on page 77:
C5.7.7	[kg/s]*Factor	Specification of the conversion factor, based on kg/s:
		xxx.xxx refer to <i>Set free units</i> on page 77
C5.7.8	Velocity	m/s; ft/s
C5.7.9	Volume	m ³ ; L; hL; mL; gal; IG; in ³ ; cf; yd ³ ; barrel Free Unit (set factor and text in the next two functions, sequence see below)
C5.7.10	Text Free Unit	For text to be specified refer to <i>Set free units</i> on page 77:
C5.7.11	[m ³]*Factor	Specification of the conversion factor, based on m ³ :
		xxx.xxx refer to <i>Set free units</i> on page 77
C5.7.12	Mass	kg; t; mg; g; lb; ST; LT; oz; Free Unit (set factor and text in the next two functions, sequence see below)
C5.7.13	Text Free Unit	For text to be specified refer to <i>Set free units</i> on page 77:
C5.7.14	[kg]*Factor	Specification of the conversion factor, based on kg:
		xxx.xxx refer to <i>Set free units</i> on page 77
C5.7.15	Density	kg/L; kg/m ³ ; lb/cf; lb/gal; SG Free Unit (set factor and text in the next two functions, sequence see below)
C5.7.16	Text Free Unit	For text to be specified refer to <i>Set free units</i> on page 77:
C5.7.17	[kg/m ³]*Factor	Specification of the conversion factor, based on kg/m ³ :
		xxx.xxx refer to <i>Set free units</i> on page 77
C5.7.18	Temperature	Sets displayed units for temperature [°C - °F - K]

C5.8 HART

C5.8	HART	
C5.8.1	HART	Switch HART [®] communication on/off: Select: On (HART [®] activated) possible current range for current output 4...20 mA / Off (HART [®] not activated) possible current range for current output 0...20 mA
C5.8.2	Address	Set address for HART [®] operation: Select: 00 (Point-to-Point operation, current output has normal function, current = 4...20 mA) / 01...15 (Multi-Drop operation, current output has a constant setting of 4 mA)
C5.8.3	Loop current mode	Configure loop current mode: - disable multidrop mode - enable current signal mode
C5.8.4	Message	Set required text: A...Z ; a...z ; 0...9 ; / - + , . *
C5.8.5	Description	Set required text: A...Z ; a...z ; 0...9 ; / - + , . *
C5.8.6	HART long Tag	Up to 32 digits

C5.9 Quick Setup

C5.9	Quick Setup	Activate quick access in Quick Setup menu: Select: Yes (switched on) / No (switched off)
C5.9.1	Reset Totaliser 1	Reset Totaliser 1 in Quick Setup menu? Select: Yes (activated) / No (switched off)
C5.9.2	Reset Totaliser 2	Reset Totaliser 2 in Quick Setup menu? Select: Yes (activated) / No (switched off)
C5.9.3	Reset Totaliser 3	Reset Totaliser 3 in Quick Setup menu? Select: Yes (activated) / No (switched off)

6.3.4 Set free units

Free units	Sequences to set texts and factors
Texts	
Volume flow, mass flow and density:	3 digits before and after the slash xxx/xxx (max. 6 characters plus a "/")
Permissible characters:	A...Z ; a...z ; 0...9 ; / - + , . * ; @ \$ % - () [] _
Conversion factors	
Desired unit	= [unit see above] * conversion factor
Conversion factor	Max. 9 digits
Shift decimal point:	↑ to the left and ↓ to the right

6.4 Description of functions

6.4.1 Reset totaliser in the menu "Quick Setup"



INFORMATION!

It may be necessary to activate resetting of the totaliser in the menu "Quick Setup".

Key	Display	Description and setting
>	Quick Setup	Press and hold for 2.5 s, then release the key.
>	Language	-
2 x ↓	Reset	-
>	Reset Errors	-
↓	All Totaliser	Select desired totaliser.
↓	Totaliser 1	
↓	Totaliser 2	
↓	Totaliser 3	
>	Reset Totaliser No	-
↓ or ↑	Reset Totaliser Yes	-
←	Totaliser 1,2	Totaliser has been reset.
3 x ←	Measuring mode	-

6.4.2 Deleting error messages in the menu "Quick Setup"



INFORMATION!

The detailed list of the possible error messages.

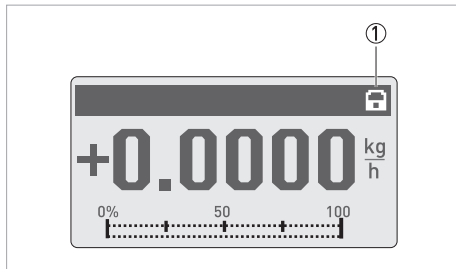
Key	Display	Description and setting
>	Quick Setup	Press and hold for 2.5 s, then release the key.
>	Language	-
2 x ↓	Reset	-
>	Reset Errors	-
>	Reset? No	-
↓ or ↑	Reset? Yes	-
←	Reset Errors	Error has been reset.
3 x ←	Measuring mode	-

6.4.3 Diagnosis messages

These settings make it possible to change the status signal of the respective diagnosis message (status group).

6.4.4 Optical keys

This function can deactivate the optical keys. In the display, the switched off state of the optical keys is represented by a lock ①.



In this case, the device may only be operated using the push buttons.

6.4.5 Graphic page

With this converter, the trend of the main measurement can be graphically displayed. The first measurement on display page 1 is always defined as the main measurement.

- Menu C5.5.1 defines the range for the trend indicator (manual or automatic).
- Menu C5.5.2 defines the range for manual setting.
- Menu C5.5.3 defines the time span for the trend indicator.

6.4.6 Save settings

This function allows all settings to be stored in a memory.

- Backup 1: Saves settings in backup memory area 1
- Backup 2: Saves settings in backup memory area 2

6.4.7 Load settings

This function allows the complete stored settings to be loaded again.

- Backup 1: Loading from backup - memory 1
- Backup 2: Loading from backup - memory 2
- Factory: Uploading the original factory settings

6.4.8 Passwords

To create a password for the Quick Set menu or Setup menu, you must enter a 4-digit code into the menu. You are then prompted for this password every time changes are to be made to the corresponding menus. There is a hierarchy. The Setup password can also be used to perform changes in the Quick Setup menu. Enter 0000 in each menu to disable the password.

6.4.9 Date and time

The signal converter has a real time clock which is used for all of the log functions in the device. This function C5.6.6 can be used to set the date and time of the real time clock.

6.4.10 Quick Access

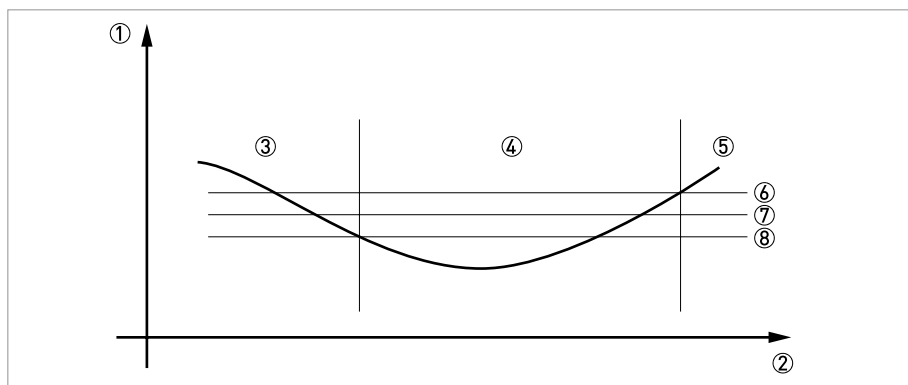
In measuring mode, pressing the \leftarrow key for 2.5 seconds carries out the "Quick Access" function. Totalisers 1, 2, 3 and All Totalisers can be reset.

6.4.11 Low flow cutoff

The low flow cutoff can be individually set for each output and each display line. If the low flow cutoff has been activated, the respective output or display is set to zero when the flow is below the low flow cutoff value entered.

The value can either be entered as a percentage of the nominal flow of the sensor or, in the case of a pulse output, as a discrete flow value.

Two values must be entered. The first is for the operating point of the sensor and the second is for hysteresis. Condition: 1st value > 2nd value



- ① Flow
- ② Time
- ③ Currently indicated flow
- ④ Display set to zero
- ⑤ Currently indicated flow
- ⑥ Positive hysteresis
- ⑦ Operating point
- ⑧ Negative hysteresis

6.4.12 Time constant

To better process widely fluctuating measured values in the device, the measured values are digitally filtered to stabilise the output. The time constant can be individually set for each output, the first line of the display and the density measurement. However, keep in mind that the degree of filtration affects the response time of the device in the event of rapid changes.

Short time constant	Fast response times
	Fluctuating reading
Long time constant	Slow response time
	Stable reading

The time constant corresponds to the elapsed time until 67% of the end value has been reached according to a step function.

6.4.13 Dual phase pulse output

A dual phase pulse or frequency output is possible. This operating mode requires 2 terminal pairs. Terminal pairs A and B or D and B can be used.

In this case, perform the following settings:

- C2.3.11: Phase shift to D or shift to A
- All functions for output B are set using output D or output A.
- C2.5.11: Setting phase shift from output B relative to D, if terminal pair D was selected in C2.3.11. 0°, 90° or 180° are offered as options.

6.4.14 Timeouts in programming mode

Normal menu function: If no key has been pressed for 5 minutes in a normal menu function, the display automatically switches to measuring mode. All changes are lost.

Test function: In test mode, the test function is finished after 60 minutes.

GDC IR Interface: If the GDC-IR connection is activated, it is cancelled after 60 seconds if no connection is established. If the connection is interrupted, the display can be operated again after 60 seconds using the optical keys.

6.4.15 Output hardware

Depending on the hardware modules used (see CG number), it may be possible to change the output options on terminals A, B, C or D in the menus C2.1.x. For example: A pulse output to a frequency output or a status output to a control input.

The available options are determined by the hardware module used. It is not possible to change the type of output, e.g. from active to passive or to NAMUR.

6.5 Status messages and diagnostic information

The diagnostic messages are displayed in accordance with NAMUR standard NE 107. NE 107 states that there are up to 32 status groups which can have different status signals. NE 107 was implemented with 16 status groups with fixed status signals and 8 groups with variable status signals. To facilitate identification of the problem source, the status groups are then divided into the groups: Sensor, Electronics, Configuration and Process.





The variable status signal can be changed in menu **Mapping; C1.10.3 ...8**. Changing the status signal to "Information", switches off the message.



INFORMATION!

As status message always the name of the relevant status group and the status signal (F/S/M/C) is displayed.

Each status message (= status signal) has a specific symbol, determined by NAMUR, which is displayed with the message. The length of each message is limited to one line.

Symbol	Letter	Status signal	Description and consequence
	F	Failure	No measurement possible.
	S	Out of specification	Measurements are available but are no longer sufficiently accurate and should be checked
	M	Maintenance required	Measurements are still accurate but this could soon change
	C	Function check	A test function is active; The displayed or transferred measured value does not correspond to the actual measured value.
	I	Information	No direct influence on the measurements

All status messages are saved in the status log (menu B3.1). Use the ↑ and ↓ keys to navigate through this list. Use the ← key to exit the list.

The status screen shows the status groups of all errors that have occurred since the last time the status screen was opened. All errors that are not current disappear after 2 seconds. They are shown in the list in brackets.

Legend

	Fixed status signal
	Variable status signal

Error type	Event group	Single event	Description	Actions to eliminate the event
F	F Sensor			
		Crossed cabling	The measuring sensor signals are out of range. Flow measurements are not possible.	Check connection between measuring sensor and signal converter (remote version).
F	F Electronics			
		System Error	Electronics error in internal bus communication or due to a hardware error.	Perform cold start. If message reappears, contact manufacturer.
		System Error A		
		System Error C		
		HW Combination Error		
		BM Failure		
		DM Failure		
		Frontend Failure		
		Mproc Failure		
		DSP Failure		
		Sensor driver Failure		
		Fieldbus Failure		
		PROFIBUS Failure		
		Modbus Failure		
		IO 1 Failure		
		IO 2 Failure		
		Tot 1 Failure		
		Tot 2 Failure		
		Tot 3 Failure		
		IO A Failure		
		IO B Failure		
		IO C Failure		
F	F Configuration			
		BM Configuration	Error detected when starting device. Possible causes: inadmissible parameter settings or fault with electronics component.	Check settings of appropriate function or load factory settings. If the error persists, contact manufacturer.
		DM Configuration		
		Process Input Config.	Settings for process input invalid.	Check settings for process input or load factory settings.

Error type	Event group	Single event	Description	Actions to eliminate the event
		Fieldbus Config.		Check Fieldbus configuration or load factory settings.
		PROFIBUS Config.		Check PROFIBUS settings or load factory settings.
		Tot 1 FB2 Unit Error	Totaliser is out of operation due to inadmissible unit.	Check unit in totaliser 1 FB2 or load factory settings.
		Tot 2 FB3 Unit Error		Check unit in totaliser 2 FB3 or load factory settings.
		Tot 3 FB4 Unit Error		Check unit in totaliser 3 FB4 or load factory settings.
		Modbus Config.		Check Modbus configuration or load factory settings.
		Display Config.	Inadmissible settings for the display	Check display settings or load factory settings.
		IO1 Configuration	Inadmissible settings for IO1	Check settings for IO1 or load factory settings.
		IO2 Configuration	Inadmissible settings for IO2	Check settings for IO2 or load factory settings.
		Tot 1 Configuration	Inadmissible settings for totaliser 1	Check settings for totaliser 1 or load factory settings.
		Tot 2 Configuration	Inadmissible settings for totaliser 2	Check settings for totaliser 2 or load factory settings.
		Tot 3 Configuration	Inadmissible settings for totaliser 3	Check settings for totaliser 3 or load factory settings.
		IO A Configuration	Inadmissible settings for IO A	Check settings for IO A or load factory settings.
		IO B Configuration	Inadmissible settings for IO B	Check settings for IO B or load factory settings.
		IO C Configuration	Inadmissible settings for IO C	Check settings for IO C or load factory settings.
		IO D Configuration	Inadmissible settings for IO D	Check settings for IO D or load factory settings.
F	F Process			
C	C Sensor			
C	C Electronics			

C	C Configuration			
		Flow Simulation Active	Simulation of volume flow, mass flow.	Switch off measured value simulation.
		VoS Simulation Active	Simulation of a certain velocity of sound (VoS)	Switch off measured value simulation.
		Fieldbus Sim. Active	The simulation function in the Foundation Fieldbus module is active and being used.	Check Fieldbus settings.
		PROFIBUS Sim. Active	The simulation function in the PROFIBUS module is active and being used.	Check PROFIBUS settings.
		IO A Simulation Active	IO A simulation is active.	Switch off simulation.
		IO B Simulation Active	IO B simulation is active.	
		IO C Simulation Active	IO C simulation is active.	
		IO D Simulation Active	IO D simulation is active.	
C	C Process			
S	S Sensor			
S	S Electronics			
		Electr.Temp.A Out of Spec	Temperature of the signal converter electronics is out of range.	Protect signal converter from process effects and sunlight.
		Electr.Temp.C Out of Spec		
		Converter zero too large	Converter zero too large	Recalibrate the converter or contact manufacturer

S	S Configuration			
		PROFIBUS Uncertain		
		IO A Overage	The output value is limited by a filter.	Check the range setting of the output.
		IO B Overage		
		IO C Overage		
		IO D Overage		
S	S Process			
		Mass Flow Out of Range	The flow is out of range. The actual flow is higher than the displayed value.	Check process conditions.
		Vol. Flow Out of Range		
		Velocity Out of Range		
M	M Sensor			
M	M Electronics			
		Backplane Data Faulty	The backplane data record is faulty.	Check the correct installation of the signal converter electronics. After changing one parameter, the message should disappear within one minute. If not, contact the manufacturer.
		Factory Data Faulty	Factory settings are invalid.	Contact manufacturer.
		Backplane Difference	The data on the backplane differ from the data in the device.	After changing one parameter, the message should disappear within one minute. If not, contact the manufacturer.
		PROFIBUS Baudrate	The PROFIBUS searches for the current Baudrate.	
M	M Configuration			
		Backup 1 Data Faulty	Error when checking the data record for Backup 1.	Use "Setup > Device > Special Functions > Save Settings" to save the data record. If the message continues to appear, contact the manufacturer.
		Backup 2 Data Faulty		
M	M Process			
F	F Proc: Current Input			

S	S Electr: IO Connection			
		IO A Connection	Current output A cannot provide the necessary current. The current provided is too low. The current at Input A is below 0.5 mA or above 23 mA.	Check connection at A. Measure resistance of current loop at A. Check current at A.
		IO A Connection	Open circuit or short circuit at IO A.	
		IO B Connection	Current output B cannot provide the necessary current. The current provided is too low. The current at Input B is below 0.5 mA or above 23 mA.	Check connection at B. Measure resistance of current loop at B. Check current at B.
		IO B Connection	Open circuit or short circuit at IO B.	
		IO C Connection	Current output C cannot provide the necessary current. The current provided is too low.	Check connection at C. Measure resistance of current loop at C.
S	S Proc: Empty pipe			
		Empty pipe	All relevant paths have lost their signal. The most obvious reason is the absence of liquid in the sensor.	Fill the sensor with liquid to return to normal operation.
S	S Proc: Signal lost			
		Signal lost path 1	No signal present in path 1 (2,3) of the sensor.	Remove the dampening or blockage in path 1 {2,3} in the sensor
		Signal lost path 2		
		Signal lost path 3		
S	S Proc: Signal unreliable			
		Path 1 unreliable	The sensor signals do not reach the expected amplitude. This can influence the measuring accuracy.	Check the acoustic properties of the medium. Particles, air bubbles or inhomogeneity, may cause an instable signal. Check gain and SNR in this path
		Path 2 unreliable		
		Path 3 unreliable		
		Time of flight unreliable		
S	S Config: Totaliser			
		Tot 1 FB2 Overflow	Totaliser has overflowed and started again at zero	Check totaliser format.
		Tot 2 FB3 Overflow		
		Tot 3 FB4 Overflow		
		Tot 1 Overflow		
		Tot 2 Overflow		
		Tot 3 Overflow		
I	S Proc: System Control			
I	S Electr: Power Failure			

		Tot 1 Power Failure	Power failure has occurred. The totaliser state may be invalid.	Check the value of the totaliser.
		Tot 2 Power Failure		
		Tot 3 Power Failure		
		Power Failure Detected		
I	I Electr. Operation Info.			
		Zero Calibr. Running	A zero calibration in progress.	Wait until finished
		Sensor Starting up.	Sensor starts up. This is normal operation at the beginning of measuring mode. Other error messages are suppressed	After some moments, the converter will act and respond with the converter status.
		PROFIBUS: no data	No data exchange via PROFIBUS.	
		Tot 1 Stopped	Totaliser 1 was stopped.	If totaliser is to continue counting, select "Yes" in Fct. C.y.9 (Start Totaliser).
		Tot 2 Stopped	Totaliser 2 was stopped.	
		Tot 3 Stopped	Totaliser 3 was stopped.	
		Control In A Active		
		Control In B Active		
		Status Out A Active		
		Status Out B Active		
		Status Out C Active		
		Status Out D Active		
		Disp. 1 Overage	The value in the 1st measurement line of the display page is limited.	Check setting for 1st measurement line.
		Disp. 2 Overage	The value in the 2nd measurement line of the display page is limited.	Check setting for 2nd measurement line.
		Optical Interf. Active	The optical interface is being used. The optical keys are deactivated.	The keys are ready for operation again approx. 60 seconds after the end of the data transfer/removal of the optical interface.

7.1 Spare parts availability

The manufacturer adheres to the basic principle that functionally adequate spare parts for each device or each important accessory part will be kept available for a period of 3 years after delivery of the last production run for the device.

This regulation only applies to spare parts which are subject to wear and tear under normal operating conditions.

7.2 Availability of services

The manufacturer offers a range of services to support the customer after expiration of the warranty. These include repair, maintenance, technical support and training.



INFORMATION!

For more precise information, please contact your local sales office.

7.3 Returning the device to the manufacturer

7.3.1 General information

This device has been carefully manufactured and tested. If installed and operated in accordance with these operating instructions, it will rarely present any problems.



CAUTION!

Should you nevertheless need to return a device for inspection or repair, please pay strict attention to the following points:

- *Due to statutory regulations on environmental protection and safeguarding the health and safety of the personnel, the manufacturer may only handle, test and repair returned devices that have been in contact with products without risk to personnel and environment.*
- *This means that the manufacturer can only service this device if it is accompanied by the following certificate (see next section) confirming that the device is safe to handle.*



CAUTION!

If the device has been operated with toxic, caustic, flammable or water-endangering products, you are kindly requested:

- *to check and ensure, if necessary by rinsing or neutralising, that all cavities are free from such dangerous substances,*
- *to enclose a certificate with the device confirming that it is safe to handle and stating the product used.*

7.3.2 Form (for copying) to accompany a returned device

Company:		Address:	
Department:		Name:	
Tel. no.:		Fax no.:	
Manufacturer's order no. or serial no.:			
The device has been operated with the following medium:			
This medium is:	radioactive		
	water-hazardous		
	toxic		
	caustic		
	flammable		
	We checked that all cavities in the device are free from such substances.		
	We have flushed out and neutralized all cavities in the device.		
We hereby confirm that there is no risk to persons or the environment through any residual media contained in the device when it is returned.			
Date:		Signature:	
Stamp:			

7.4 Disposal

**CAUTION!**

Disposal must be carried out in accordance with legislation applicable in your country.

8.1 Measuring principle

- Like canoes crossing a river, acoustic signals are transmitted and received along a diagonal measuring path.
- A sound wave going downstream with the flow travels faster than a sound wave going upstream against the flow.
- The difference in transit time is directly proportional to the mean flow velocity of the medium.

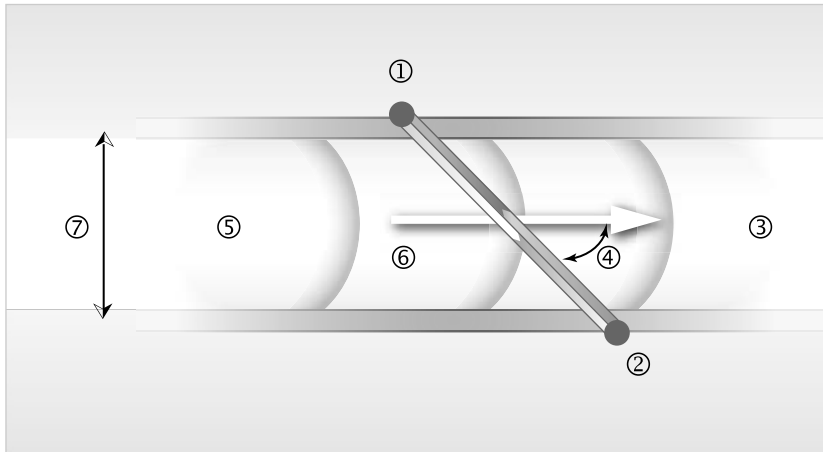


Figure 8-1: Measuring principle

- ① Transducer A
- ② Transducer B
- ③ Flow velocity
- ④ Angle of incidence
- ⑤ Velocity of sound of liquid
- ⑥ Path length
- ⑦ Inner diameter

8.2 Technical data



INFORMATION!

- The following data is provided for general applications. If you require data that is more relevant to your specific application, please contact us or your local sales office.
- Additional information (certificates, special tools, software,...) and complete product documentation can be downloaded free of charge from the website (Download Center).

Measuring system

Measuring principle	Ultrasonic transit time
Application range	Flow measurement of (non) conductive fluids
Measured value	
Primary measured value	Transit time
Secondary measured values	Volume flow, mass flow, flow speed, flow direction, velocity of sound, gain, signal to noise ratio, reliability of flow measurement, totalised volume or mass

Design

Features	3 parallel acoustic paths fully welded.
Modular construction	The measurement system consists of a measuring sensor and a signal converter.
Compact version	OPTISONIC 3400
Remote version	OPTISONIC 3000 F with UFC 400 signal converter
Nominal diameter	DN25...3000 / 1...120"
Measurement range	0.3...20 m/s / 0.98...65 ft/s
Signal converter	
Inputs / outputs	Current (incl. HART®), pulse, frequency and/or status output, limit switch and/or control input (depending on the I/O version)
Totaliser	2 (optional 3) internal totalisers with a max. of 8 digits (e.g. for totalising volume and/or mass units)
Verification and self-diagnostics	Integrated verification, diagnostic functions: measuring device, process, measured values, device configuration, etc.
Communication interfaces	Modbus RS485, HART® 7, Foundation Fieldbus ITK6, Profibus PA/DP Profile 3.02

Display and user interface	
Graphic display	LC display, backlit white
	Size: 128x64 pixels. Corresponds to 59x31 mm = 2.32"x1.22"
	Display turnable in 90° steps.
Operating elements	4 optical and push buttons for operator control of the signal converter without opening the housing.
	Option: Infrared interface (GDC)
Remote operation	PACTware™ including Device Type Manager (DTM)
	HART® handheld communicator (Emerson), AMS (Emerson), PDM (Siemens)
	All DTM's and drivers will be available at the internet homepage of the manufacturer.
Display functions	
Operating menu	Programming of parameters at 2 measured value pages, 1 status page, 1 graphic page (measured values and descriptions adjustable as required)
Language of display texts (as language package)	Standard: English, French, German, Dutch
	Russia: English, German, Russian
Measurement functions	Units: Metric, British and US units selectable as desired from lists for volume/mass flow and counting, velocity, temperature.
	Measured values: volume flow, mass flow, flow speed, velocity of sound, gain, signal to noise ratio, flow direction, diagnostics
Diagnostic functions	Standards: VDI/NAMUR NE 107
	Status messages: Output of status messages via display, current and/or status output, HART® or via other bus interface
	Sensor diagnostics: per acoustic path velocity of sound, flow speed, gain, signal to noise ratio
	Process diagnostics: empty pipe, signal integrity, cabling, flow conditions
	Signal converter diagnostics: data bus monitoring, I/O connections, electronics temperature, parameter and data integrity

Measuring accuracy

Reference conditions	
Medium	Water
Temperature	20°C / 68°F
Pressure	1 bar / 14.5 psi
Inlet section	10 DN
Maximum measuring error	
Standard:	±0.3% +2 mm/s of actual measured flow rate
Repeatability	±0.2%

Operating conditions

Temperature	
Process temperature	Compact version: -45...+140°C / -49...+284°F (for stainless steel housing at ambient temperature ≤ 45°C / +113°F)
	Remote version: -45...+180°C / -49...+356°F
	Extended temperature version: -45...+250°C / -49...+482°F (only remote version)
	Cryogenic version: -200...+180°C / -328...+356°F (only remote version, IP68, complete stainless steel)
	Carbon steel flanges; minimal process temperatures acc. to EN1092: -10°C / +14°F; ASME: -29°C / -20°F
Ambient temperature	Depending on the version and combination of outputs
	-40...+65°C / -40...+149°F
	Option (stainless steel converter housing): -40...+60°C / -40...+140°F
	Ambient temperatures below -25°C / -13°F may affect the readability of the display.
Protect inside electronics against self-heating (increasing of the electronics temperature will lead to a reduction of the corresponding service life by a factor 2 for each step of 10°C / 50°F increase). Protect the signal converter from external heat sources such as direct sunlight, as higher temperatures reduce the life cycle of all electronic components.	
Storage temperature	-50...+70°C / -58...+158°F
Pressure	
Atmospheric	
EN 1092-1	DN25...80: PN 40
	DN100...150: PN 16
	DN200...1000: PN 10
	DN1200...3000: PN 6
	Higher pressure ratings on request
ASME B16.5	1...24": 150 lb RF
	1...24": 300 lb RF
	1...24": 600 lb RF
	1...24": 900 lb RF
	Larger diameters on request.
JIS	DN25...40: 20K
	DN50...300: 10K
Properties of medium	
Physical condition	Liquid, single phase (well mixed, rather clean)
Permissible gas content	≤ 2% (volume)
Permissible solid content	≤ 5% (volume)
Viscosity	Standard: Up to 100 cSt (for all diameters)
	Option: High viscosity variant up to 1000 cSt

Installation conditions

Installation	For detailed information refer to <i>Installation</i> on page 18.
Inlet run	Minimal 5 DN (straight inlet)
	If no details are known, minimal 10 DN recommended
Outlet run	Minimal 3 DN (straight outlet)
	If no details are known, minimal 5 DN recommended
Dimensions and weights	For detailed information refer to <i>Dimensions and weights</i> on page 104.

Materials

Measuring sensor	
Flanges (wetted)	DN25...3000 / 1"...120": Carbon steel
	Option: Stainless steel 1.4404 (AISI 316(L))
	Other materials on request.
Measuring Tube (wetted)	DN25...3000 / 1"...120": Carbon steel
	Option: Stainless steel 1.4404 (AISI 316(L))
	Other materials on request.
Measuring sensor housing	DN25...300 / 1"...12": Carbon steel
	Option: Stainless steel 1.4404 (AISI 316(L))
	For XXT, HV variant and DN25...3000 / 1"...120": Carbon steel For Cryogenic variant and DN25...3000 / 1"...120": Stainless steel 1.4404 (AISI 316(L))
Transducer	
Transducers (wetted)	Stainless steel 1.4404 (AISI 316L)
	Other materials on request.
Transducer holders incl. caps	DN350...3000 / 14"...120"; Stainless steel 1.4404 (AISI 316L)
Tube transducer cabling	Stainless steel 1.4404 (AISI 316L)
Connection box and connection box support (remote version only)	Standard: Die-cast aluminium; polyurethane coated
	Option: Stainless steel 316 (1.4408)
Coating (measuring sensor)	Standard: Polyurethane
	Option: Offshore coating
NACE conformity	On request; wetted materials conform NACE MR 175/103
Signal converter	
Housing	Versions C and F: Die-cast aluminium
	Option: Stainless steel 316 (1.4408)
Coating	Standard: Polyurethane
	Option: Offshore coating

Electrical connections

Description of used abbreviations; $Q=xxx$; I_{max} = maximum current; $U_{in} = xxx$; U_{int} = internal voltage; U_{ext} = external voltage; $U_{int, max}$ = maximal internal voltage	
General	Electrical connection is carried out in conformity with the VDE 0100 directive "Regulations for electrical power installations with line voltages up to 1000 V" or equivalent national specifications.
Power supply	Standard: 100...230 VAC (-15% / +10%), 50/60 Hz
	Option: 24 VAC/DC (AC: -15% / +10%; DC: -25% / +30%)
Power consumption	AC: 22 VA
	DC: 12 W
Signal cable (remote version only)	MR06 (shielded cable with 6 coax cores): \varnothing 10.6 mm / 0.4"
	5 m / 16 ft
	Option: 10...30 m / 33...98 ft
Cable entries	Standard: M20 x 1.5 (8...12 mm)
	Option: 1/2" NPT, PF 1/2

Inputs and outputs

General	All outputs are electrically isolated from each other and from all other circuits.
	All operating data and output values can be adjusted.
Description of used abbreviations	U_{ext} = external voltage; R_L = load + resistance; U_0 = terminal voltage; I_{nom} = nominal current Safety limit values (Ex i): U_i = max. input voltage; I_i = max. input current; P_i = max. input power rating; C_i = max. input capacity; L_i = max. input inductivity

Current output			
Output data	Measurement of volume flow, mass flow, flow speed, velocity of sound, gain, SNR, diagnostics (flow speed, VoS, SNR, gain), NAMUR NE107, HART® communication.		
Temperature coefficient	Typically ± 30 ppm/K		
Settings	Without HART®		
	Q = 0%: 0...20 mA; Q = 100%: 10...20 mA		
	Error identification: 3...22 mA		
	With HART®		
	Q = 0%: 4...20 mA; Q = 100%: 10...20 mA		
	Error identification: 3...22 mA		
	Q = 100%: 10...20 mA		
Operating data	Basic I/Os	Modular I/Os	Ex i
	Active	$U_{\text{int, nom}} = 24$ VDC $I \leq 22$ mA $R_L \leq 1$ k Ω	$U_{\text{int, nom}} = 20$ VDC $I \leq 22$ mA $R_L \leq 450$ Ω $U_0 = 21$ V $I_0 = 90$ mA $P_0 = 0.5$ W $C_0 = 90$ nF / $L_0 = 2$ mH $C_0 = 110$ nF / $L_0 = 0.5$ mH
Passive	$U_{\text{ext}} \leq 32$ VDC $I \leq 22$ mA $U_0 \geq 1.8$ V $R_{L, \text{max}} = (U_{\text{ext}} - U_0) / I_{\text{max}}$	$U_{\text{ext}} \leq 32$ VDC $I \leq 22$ mA $U_0 \geq 4$ V $R_{L, \text{max}} = (U_{\text{ext}} - U_0) / I_{\text{max}}$ $U_i = 30$ V $I_i = 100$ mA $P_i = 1$ W $C_i = 10$ nF $L_i \sim 0$ mH	

HART®			
Description	HART® protocol via active and passive current output		
	HART® version: V7		
	Universal HART® parameter: completely integrated		
Load	≥ 250 Ω t HART® test point: Note maximum load for current output!		
Multidrop	Yes, current output = 10% e.g. 4 mA		
	Multidrop addresses adjustable in operation menu 0...63		
Device drivers	DD for FC 375/475, AMS, PDM, DTM for FDT		
Pulse or frequency output			
Output data	Volume flow, mass flow		
Function	Adjustable as pulse or frequency output		
Pulse rate/frequency	0.01...10000 pulses/s or Hz		
Settings	For Q = 100%: 0.01... 10000 pulses per second or pulses per unit volume.		
	Pulse width: adjustable as automatic, symmetric or fixed (0.05...2000 ms)		
Operating data	Basic I/Os	Modular I/Os	Ex i
Active	-	$U_{nom} = 24 \text{ VDC}$ f_{max} in operating menu set to: $f_{max} \leq 100 \text{ Hz}$ $I \leq 20 \text{ mA}$ $R_{L, max} = 47 \text{ k}\Omega$ open: $I \leq 0.05 \text{ mA}$ closed: $U_{0, nom} = 24 \text{ V}$ at $I = 20 \text{ mA}$	-
		F_{max} in operating menu set to: $100 \text{ Hz} < f_{max} \leq 10 \text{ kHz}$ $I \leq 20 \text{ mA}$ $R_L \leq 10 \text{ k}\Omega$ for $f \leq 1 \text{ kHz}$ $R_L \leq 1 \text{ k}\Omega$ for $f \leq 10 \text{ kHz}$ open: $I \leq 0.05 \text{ mA}$ closed: $U_{0, nom} = 22.5 \text{ V}$ at $I = 1 \text{ mA}$ $U_{0, nom} = 21.5 \text{ V}$ at $I = 10 \text{ mA}$ $U_{0, nom} = 19 \text{ V}$ at $I = 20 \text{ mA}$	

Passive	$U_{\text{ext}} \leq 32 \text{ VDC}$		-
	f_{max} in operating menu set to: $f_{\text{max}} \leq 100 \text{ Hz}$: $I \leq 100 \text{ mA}$ $R_{L, \text{max}} = 47 \text{ k}\Omega$ $R_{L, \text{max}} = (U_{\text{ext}} - U_0) / I_{\text{max}}$ open: $I \leq 0.05 \text{ mA}$ at $U_{\text{ext}} = 32 \text{ VDC}$ closed: $U_{0, \text{max}} = 0.2 \text{ V}$ at $I \leq 10 \text{ mA}$ $U_{0, \text{max}} = 2 \text{ V}$ at $I \leq 100 \text{ mA}$		
NAMUR	f_{max} in operating menu set to: $100 \text{ Hz} < f_{\text{max}} \leq 10 \text{ kHz}$: $I \leq 20 \text{ mA}$ $R_L \leq 10 \text{ k}\Omega$ for $f \leq 1 \text{ kHz}$ $R_L \leq 1 \text{ k}\Omega$ for $f \leq 10 \text{ kHz}$ $R_{L, \text{max}} = (U_{\text{ext}} - U_0) / I_{\text{max}}$ open: $I \leq 0.05 \text{ mA}$ at $U_{\text{ext}} = 32 \text{ VDC}$ closed: $U_{0, \text{max}} = 1.5 \text{ V}$ at $I \leq 1 \text{ mA}$ $U_{0, \text{max}} = 2.5 \text{ V}$ at $I \leq 10 \text{ mA}$ $U_{0, \text{max}} = 5.0 \text{ V}$ at $I \leq 20 \text{ mA}$		-
	-	Passive to EN 60947-5-6 open: $I_{\text{nom}} = 0.6 \text{ mA}$ closed: $I_{\text{nom}} = 3.8 \text{ mA}$	Passive to EN 60947-5-6 open: $I_{\text{nom}} = 0.43 \text{ mA}$ closed: $I_{\text{nom}} = 4.5 \text{ mA}$ $U_i = 30 \text{ V}$ $I_i = 100 \text{ mA}$ $P_i = 1 \text{ W}$ $C_i = 10 \text{ nF}$ $L_i = 0 \text{ mH}$

Status output / limit switch			
Function and settings	Adjustable as automatic measuring range conversion, display of flow direction, overflow, error, switching point		
	Valve control with activated dosing function		
Operating data	Basic I/Os	Modular I/Os	Ex i
Active	-	$U_{int} = 24 \text{ VDC}$ $I \leq 20 \text{ mA}$ $R_{L, max} = 47 \text{ k}\Omega$ open: $I \leq 0.05 \text{ mA}$ closed: $U_{0, nom} = 24 \text{ V}$ at $I = 20 \text{ mA}$	-
Passive	$U_{ext} \leq 32 \text{ VDC}$ $I \leq 100 \text{ mA}$ $R_{L, max} = 47 \text{ k}\Omega$ $R_{L, max} = (U_{ext} - U_0) / I_{max}$ open: $I \leq 0.05 \text{ mA}$ at $U_{ext} = 32 \text{ VDC}$ closed: $U_{0, max} = 0.2 \text{ V}$ at $I \leq 10 \text{ mA}$ $U_{0, max} = 2 \text{ V}$ at $I \leq 100 \text{ mA}$	$U_{ext} = 32 \text{ VDC}$ $I \leq 100 \text{ mA}$ $R_{L, max} = 47 \text{ k}\Omega$ $R_{L, max} = (U_{ext} - U_0) / I_{max}$ open: $I \leq 0.05 \text{ mA}$ at $U_{ext} = 32 \text{ VDC}$ closed: $U_{0, max} = 0.2 \text{ V}$ at $I \leq 10 \text{ mA}$ $U_{0, max} = 2 \text{ V}$ at $I \leq 100 \text{ mA}$	-
NAMUR	-	Passive to EN 60947-5-6 open: $I_{nom} = 0.6 \text{ mA}$ closed: $I_{nom} = 3.8 \text{ mA}$	Passive to EN 60947-5-6 open: $I_{nom} = 0.43 \text{ mA}$ closed: $I_{nom} = 4.5 \text{ mA}$ $U_i = 30 \text{ V}$ $I_i = 100 \text{ mA}$ $P_i = 1 \text{ W}$ $C_i = 10 \text{ nF}$ $L_i = 0 \text{ mH}$

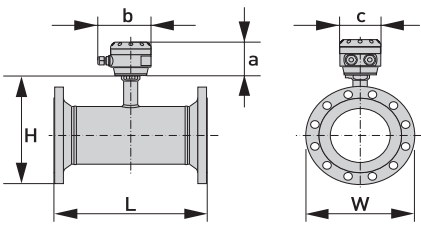
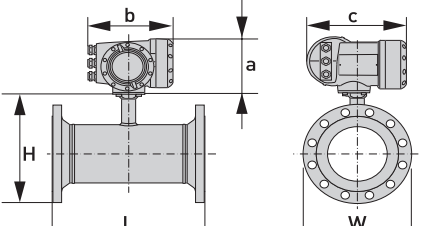
Control input			
Function	Hold value of the outputs [e.g. for cleaning work], set value of the outputs to "zero", counter and error reset, stop counter, range conversion, zero calibration		
	Start of dosing when dosing function is activated.		
Operating data	Basic I/Os	Modular I/Os	Ex i
Active	-	$U_{int} = 24 \text{ VDC}$ Terminals open: $U_{0, nom} = 22 \text{ V}$ Terminals bridged: $I_{nom} = 4 \text{ mA}$ On: $U_0 \geq 12 \text{ V}$ with $I_{nom} = 1.9 \text{ mA}$ Off: $U_0 \leq 10 \text{ V}$ with $I_{nom} = 1.9 \text{ mA}$	-
Passive	$U_{ext} \leq 32 \text{ VDC}$ $I_{max} = 6.5 \text{ mA}$ at $U_{ext} \leq 24 \text{ VDC}$ $I_{max} = 8.2 \text{ mA}$ at $U_{ext} \leq 32 \text{ VDC}$ Contact closed (On): $U_0 \geq 8 \text{ V}$ with $I_{nom} = 2.8 \text{ mA}$ Contact open (Off): $U_0 \leq 2.5 \text{ V}$ with $I_{nom} = 0.4 \text{ mA}$	$U_{ext} \leq 32 \text{ VDC}$ $I_{max} = 9.5 \text{ mA}$ at $U_{ext} \leq 24 \text{ V}$ $I_{max} = 9.5 \text{ mA}$ at $U_{ext} \leq 32 \text{ V}$ Contact closed (On): $U_0 \geq 3 \text{ V}$ with $I_{nom} = 1.9 \text{ mA}$ Contact open (Off): $U_0 \leq 2.5 \text{ V}$ with $I_{nom} = 1.9 \text{ mA}$	$U_{ext} \leq 32 \text{ VDC}$ $I \leq 6 \text{ mA}$ at $U_{ext} = 24 \text{ V}$ $I \leq 6.6 \text{ mA}$ at $U_{ext} = 32 \text{ V}$ On: $U_0 \geq 5.5 \text{ V}$ or $I \geq 4 \text{ mA}$ Off: $U_0 \leq 3.5 \text{ V}$ or $I \leq 0.5 \text{ mA}$ $U_i = 30 \text{ V}$ $I_i = 100 \text{ mA}$ $P_i = 1 \text{ W}$ $C_i = 10 \text{ nF}$ $L_i = 0 \text{ mH}$
NAMUR	-	Active to EN 60947-5-6 Contact open: $U_{0, nom} = 8.7 \text{ V}$ Contact closed (On): $I_{nom} = 7.8 \text{ mA}$ Contact open (off): $U_{0, nom} = 6.3 \text{ V}$ with $I_{nom} = 1.9 \text{ mA}$ Identification for open terminals: $U_0 \geq 8.1 \text{ V}$ with $I \leq 0.1 \text{ mA}$ Identification for short circuited terminals: $U_0 \leq 1.2 \text{ V}$ with $I \geq 6.7 \text{ mA}$	-

PROFIBUS DP	
Description	Galvanically isolated acc. to IEC 61158
Profile version: 3.02	
Automatic data transmission rate recognition (max. 12 Mbaud)	
Bus address adjustable via local display at the measuring device	
Function blocks	6 x analogue input block, 3 x totaliser function block, 1 x transducer block, 1 x physical block
Output data	Volume flow, mass flow, velocity of sound, flow speed, gain, SNR, electronic temperature, power supply Diagnostic data (Further meas. values and diagnostic data is available via acyclic access)
PROFIBUS PA	
Description	Galvanically isolated acc. to IEC 61158
	Profile version: 3.02
	Current consumption: 10.5 mA
	Permissible bus voltage: 9...32 V; in Ex application 9...24 V
	Bus interface with integrated reverse polarity protection
	Typical error current FDE (Fault Disconnection Electronic): 4.3 mA
Bus address adjustable via local display on the measuring device	
Function blocks	6 x analogue input block, 3 x totaliser function block, 1 x transducer block, 1 x physical block
Output data	Volume flow, mass flow, velocity of sound, flow speed, gain, SNR, electronic temperature, power supply Diagnostic data (Further meas. values and diagnostic data is available via acyclic access)
FOUNDATION Fieldbus	
Description	Galvanically isolated acc. to IEC 61158
	Current consumption: 10.5 mA
	Permissible bus voltage: 9...32 V; in Ex application 9...24 V
	Bus interface with integrated reverse polarity protection
	Link Master function (LM) supported
Tested with Interoperable Test Kit (ITK) version 6.0	
Function blocks	4 x analogue input, 2 x integrator, 1 x PID
Output data	Volume flow, mass flow, flow speed, electronic temperature, velocity of sound, gain, SNR Diagnostic data
MODBUS	
Description	Modbus RTU, Master / Slave, RS485
Address range	1...247
Supported function codes	01, 02, 03, 04, 05, 08, 16, 43
Supported Baudrate	1200, 2400, 4800, 9600, 19200, 38400, 57600, 115200 Baud

Approvals and certificates

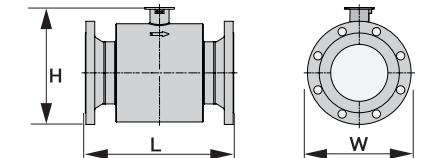
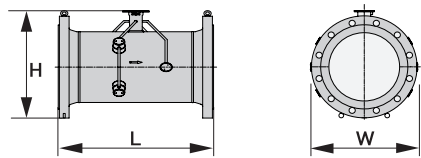
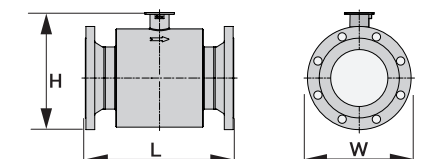
CE	
	This device fulfills the statutory requirements of the EC directives. The manufacturer certifies successful testing of the product by applying the CE mark.
Electromagnetic compatibility	Directive: 2004/108/EC, NAMUR NE21/04
	Harmonized standard: EN 61326-1 : 2006
Low voltage directive	Directive: 2006/95/EC
	Harmonized standard: EN 61010 : 2010
Pressure equipment directive	Directive: 97/23/EC
	Category I, II, III or SEP
	Fluid group 1, table 6
	Production module H
NAMUR	NE 21,43,53,80,107
Other approvals and standards	
Non-Ex	Standard
Hazardous areas	
Ex zone 1 - 2	For detailed information, please refer to the relevant Ex documentation.
	According to European Directive 94/9 EC (ATEX 100a)
IECEX	Approval number; IECEX DEK13.0023 X
ATEX	DEKRA 13ATEX0092X
cCSAus; class 1 Div. 1 and 2	Approval number; 2593926 (pending: amendment for CS/CS sensor material)
NEPSI	Approval number; GYJ13.1411X - 12X - 13X
DNV Inmetro	Approval number; DNV 13.0141 X
Protection category acc. to IEC 529 / EN 60529	Signal converter
	Compact (C): IP66/67 (NEMA 4X/6)
	Field (F): IP66/67 (NEMA 4X/6)
	All flow sensors
	IP67 (NEMA 6)
	Option: IP68 (NEMA 6P)
Shock resistance	IEC 68-2-27
	30 g for 18 ms
Vibration resistance	IEC 68-2-6; 1g up to 2000 Hz
	IEC 60721; 10g

8.3 Dimensions and weights

<p>Remote version</p>		<p>a = 88 mm / 3.5" b = 139 mm / 5.5" ① c = 106 mm / 4.2" Total height = H + a ②</p>
<p>Compact version</p>		<p>a = 155 mm / 6.1" b = 230 mm / 9.1" ① c = 260 mm / 10.2" Total height = H + a ②</p>

- ① The value may vary depending on the used cable glands.
- ② The value depends on version

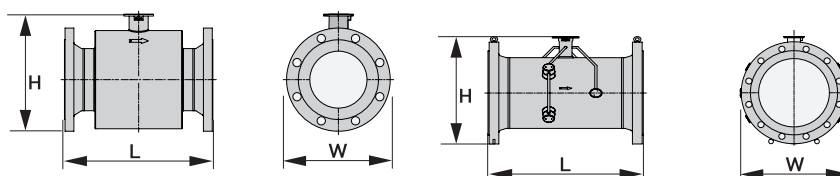
8.3.1 Variants

<p>Standard version and Extended temperature - High Viscosity - Cryogenic versions; ≤ DN300 / 12"</p>		<p>DIN: L= 250...500 mm / 9.8"...19.7" ANSI: L= 250...500 mm / 9.8"...19.7" * for Cryo - HV - XXT versions; ANSI: L= 250...550 mm / 9.8"...21.7"</p>
<p>Standard version; ≥ DN350 / 14"</p>		<p>DIN: L= 500..600 mm / 19.7"...23.6" ANSI: L= 700...800 mm / 27.6"...31.5"</p>
<p>Extended temperature - High Viscosity - Cryogenic version; ≥ DN350 / 14"</p>		<p>DIN: L= 500...750 mm / 19.7"...29.5" ANSI: L= 700...850 mm / 27.6"...33.5"</p>

For all dimensions and options; see tables on next pages (tables not final)

Note; the cCSA versions (DN25...65 / 1...2.5") are manufactured with a heavy duty neck (SS) which is 3.6 mm / 0.14 inch higher.

8.3.2 Standard flow sensor



The following dimensions are applicable for the OPTISONIC 3400 in compact and remote versions;

EN1092-1; Standard variant - PN40

Nominal size	Dimensions [mm],					Approx weight [kg]	
	DN	L	H	W	Di CS	Di SS	CS
25	250	155	115	27	27	8	8
32	260	156	140	35	35	9	10
40	270	173	150	39	41	11	14
50	300	193	165	53	53	14	17
65	300	203	185	63	63	18	19
80	300	238	200	78	81	17	18
100	350	268	235	102	104	24	24
125	350	297	270	127	130	30	29
150	400	326	300	154	158	37	37
200	400	427	375	207	207	63	63
250	500	492	450	260	260	100	100
300	500	547	515	308	308	140	140

EN1092-1; Standard variant - PN25

Nominal size	Dimensions [mm]					Approximate weight [kg]	
	DN	L	H	W	Di CS	Di SS	CS
100	350	268	235	102	104	24	23
125	350	297	270	127	130	30	29
150	400	326	300	154	158	37	37
200	400	419	360	207	207	61	61
250	450	479	425	255	255	80	80
300	500	532	485	305	305	102	102
350	500	539	555	330	330	126	126
400	600	596	620	379	379	172	167
450	700	654	670	441	441	199	199
500	700	707	730	488	488	252	252
600	800	817	845	588	588	335	355

EN1092-1; Standard variant - PN16

Nominal size	Dimensions [mm]					Approximate weight [kg]	
	DN	L	H	W	Di CS	Di SS	CS
100	350	261	220	102	104	20	19
125	350	287	250	127	130	20	20
150	350	319	285	154	158	30	29
200	400	409	340	207	207	51	47
250	400	469	405	255	255	64	64
300	500	520	460	305	305	84	84

EN1092-1; Standard variant - PN10

Nominal size	Dimensions [mm]					Approximate weight [kg]	
	DN	L	H	W	Di CS	Di SS	CS
200	400	409	340	207	207	48	48
250	400	464	395	255	255	55	55
300	500	512	445	305	305	71	71
350	500	517	505	341	341	69	69
400	600	572	565	388	388	90	90
450	600	623	615	441	441	97	101
500	600	674	670	487	487	118	118
600	600	779	780	585	585	157	157

ASME 150 lb Standard variant

Nom. size	Dimensions						Inner diameter [Di]		Approximate weight			
	L		H		W		CS / SS ①		CS		SS	
	[inch]	[mm]	[inch]	[mm]	[inch]	[mm]	[inch]	[mm]	[lb]	[kg]	[lb]	[kg]
1	9,8	250	6,0	152	4,3	108	1,1	27	20	9	22	10
1¼	10,2	260	6,3	161	4,6	117	1,4	35	22	10	22	10
1½	10,6	270	6,9	174	5,0	127	1,5 ①	39 ①	26	12	26	12
2	11,8	300	7,4	187	6,0	152	2,1	53	33	15	35	16
2½	11,8	300	8,7	221	7,0	178	2,5	63	42	19	44	20
3	13,8	350	9,2	233	7,5	191	3,1	78	44	20	44	20
4	13,8	350	10,4	265	9,0	229	4,0	102	57	26	60	27
5	13,8	350	11,4	289	10,0	254	5,0	128	71	32	73	33
6	15,7	400	12,4	316	11,0	279	6,1	154	88	40	90	41
8	15,7	400	16,1	408	13,5	343	8,0	203	110	50	108	49
10	19,7	500	18,5	470	16,0	406	10,0	255	161	73	150	68
12	19,7	500	20,9	531	19,0	483	12,0	305	214	97	209	95
14	27,6	700	20,9	531	21,0	533	13,3	337	260	118	249	113
16	31,5	800	23,2	589	23,5	597	15,3	388	342	155	315	143
18	31,5	800	25,0	635	25,0	635	17,2	438	406	184	348	158
20	31,5	800	27,2	692	27,5	699	19,3	489	489	222	448	203
24	31,5	800	31,5	801	32,0	813	23,0 ①	584 ①	761	345	591	268
28	35,4	900	35,8	909	36,5	927	27,1 ①	687 ①	1052	477	-	-
32	39,4	1000	40,4	1027	41,8	1061	30,8 ①	783 ①	1598	725	-	-
36	43,3	1100	39,5	1004	46,0	1168	34,8 ①	884 ①	2006	910	-	-
40	47,2	1200	48,9	1243	50,8	1289	38,6 ①	980 ①	2621	1189	-	-

① Inner Diameter SS differs from CS, consult KROHNE for more information

ASME 300 lb Standard variant

Nom. size	Dimensions						Inner diameter [Di]		Approximate weight			
	L		H		W		CS / SS ①		CS		SS	
	[inch]	[mm]	[inch]	[mm]	[inch]	[mm]	[inch]	[mm]	[lb]	[kg]	[lb]	[kg]
1	9,8	250	6,3	160	4,9	124	1,1	27	22	10	24	11
1¼	10,2	260	6,6	169	5,3	133	1,4	35	22	10	22	10
1½	10,6	270	6,9	175	6,1	155	1,6	41	31	14	31	14
2	11,8	300	7,6	194	6,5	165	2,1	53	35	16	37	17
2½	11,8	300	9,0	227	7,5	191	2,5	63	44	20	44	20
3	13,8	350	9,6	243	8,3	210	3,1	78	53	24	55	25
4	15,7	400	10,9	278	10,0	254	4,0	102	79	36	82	37
5	15,7	400	11,9	301	11,0	279	5,0	128	97	44	99	45
6	17,7	450	13,2	335	12,5	318	6,1	154	128	58	130	59
8	17,7	450	16,8	427	15,0	381	8,0	203	190	86	179	81
10	19,7	500	19,2	489	17,5	445	9.7 ①	248 ①	280	127	256	116
12	23,6	600	21,4	544	20,5	521	11.8 ①	299 ①	421	191	388	176
14	27,6	700	22,0	560	23,0	584	13.1 ①	333 ①	489	222	467	212
16	31,5	800	24,3	617	25,5	648	15,0	381	688	312	642	291
18	31,5	800	26,5	674	28,0	711	16,5 ①	419 ①	882	400	811	368
20	31,5	800	28,8	731	30,5	775	18,4 ①	467 ①	1065	483	955	433
24	31,5	800	33,5	852	36,0	914	22,1 ①	560 ①	1537	697	1413	641

① Inner Diameter SS differs from CS, consult KROHNE for more information

ASME 600 lb Standard variant

Nom. size	Dimensions						Inner diameter [Di]		Approximate weight			
	L		H		W		CS / SS ①		CS		SS	
	[inch]	[mm]	[inch]	[mm]	[inch]	[mm]	[inch]	[mm]	[lb]	[kg]	[lb]	[kg]
1	10,6	270	6,3	160	4,9	124	1,1	27	24	11	24	11
1¼	10,6	270	6,6	169	5,3	133	1,4	35	24	11	24	11
1½	11,4	290	7,4	189	6,1	155	1,5 ①	39 ①	33	15	33	15
2	13,0	330	7,6	194	6,5	165	2,1	53	40	18	40	18
2½	13,0	330	9,0	227	7,5	191	2,5	63	51	23	51	23
3	15,7	400	9,6	243	8,3	210	2,9	74	62	28	64	29
4	15,7	400	11,3	287	10,8	273	3,6 ①	92 ①	110	50	108	49
5	19,7	500	12,9	327	13,0	330	4,8	122	172	78	174	79
6	19,7	500	13,9	354	14,0	356	5,5 ①	140 ①	223	101	216	98
8	19,7	500	17,6	446	16,5	419	7,6	194	298	135	302	137
10	23,6	600	20,5	521	20,0	508	9,6	243	527	239	487	221
12	23,6	600	23,0	583	22,0	559	11,4	289	628	285	586	266
14	27,6	700	22,4	569	23,8	603	12,1 ①	308 ①	767	348	714	324
16	31,5	800	25,0	636	27,0	686	13,9 ①	354 ①	1093	496	1010	458
18	31,5	800	27,2	690	29,3	743	15,7 ①	398 ①	1338	607	1210	549
20	35,4	900	29,5	750	32,0	813	17,4 ①	443 ①	1757	797	1601	726
24	35,4	900	34,0	865	37,0	940	20,9 ①	532 ①	2480	1125	2238	1015

① Inner Diameter SS differs from CS, consult KROHNE for more information

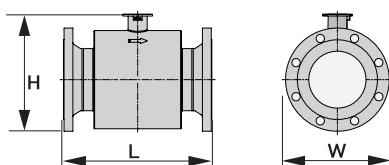
ASME 900 lb Standard variant

Nom. size	Dimensions						Inner diameter [Di]		Approximate weight			
	L		H		W		CS / SS ①		CS		SS	
	[inch]	[mm]	[inch]	[mm]	[inch]	[mm]	[inch]	[mm]	[lb]	[kg]	[lb]	[kg]
1	11,8	300	7,2	183	5,9	149	1,1	27	②	②	24	11
1½	11,8	300	7,8	198	7,0	178	1,6	41	②	②	33	15
2	14,6	370	9,0	230	8,5	216	2,1	53	②	②	64	29
3	17,7	450	10,7	271	9,5	241	2,6 ①	67 ①	93	42	95	43
4	17,7	450	12,1	309	11,5	292	3,4 ①	87 ①	143	65	137	62
6	23,6	600	14,9	379	15,0	381	5,2 ①	132 ①	309	140	306	139
8	31,5	800	19,3	490	18,5	470	7,0 ①	178 ①	562	255	540	245
10	31,5	800	22,6	574	21,5	546	9,1 ①	230 ①	772	350	750	340
12	35,4	900	24,6	625	24,0	610	10,8 ①	273 ①	1080	490	1025	465
14	35,4	900	23,2	589	25,2	641	11,8 ①	300 ①	1213	550	1146	520
16	39,4	1000	25,4	646	27,7	705	13,6 ①	344 ①	1565	710	1433	650
18	39,4	1000	28,0	712	31,0	787	15,3 ①	387 ①	2050	930	1940	880
20	43,3	1100	30,4	773	33,8	857	17,0 ①	432 ①	2624	1190	2535	1150
24	51,2	1300	36,1	916	41,0	1041	20,4 ①	518 ①	4718	2140	4475	2030

① Inner Diameter SS differs from CS

② Consult KROHNE for more information

8.3.3 Variant flow sensor; XXT - High Viscosity and Cryogenic (SS) versions.



The following dimensions are applicable for the OPTISONIC 3400 in compact and remote versions;

EN1092-1; Extended temperature - High Viscosity and Cryogenic (SS) version - PN40

Nominal size	Dimensions [mm]					Approx weight [kg]	
	DN	L	H	W	Di CS	Di SS	CS
25	250	155	115	27	27	8	8
32	260	156	140	35	35	10	10
40	270	173	150	39	41	11	13
50	300	193	165	53	53	15	16
65	300	203	185	63	63	19	19
80	350	238	200	81	81	17	18
100	350	268	235	104	104	24	23
125	350	297	270	130	130	30	29
150	400	326	300	158	158	37	36
200	500	427	375	207	207	69	69
250	550	492	450	260	260	101	101
300	550	547	515	308	308	137	137

EN1092-1; Extended temperature - High Viscosity and Cryogenic (SS) version - PN25

Nominal size	Dimensions [mm]					Approximate weight [kg]	
	DN	L	H	W	Di CS	Di SS	CS
100	350	268	235	104	104	29	29
125	350	297	270	130	130	29	29
150	400	326	300	158	158	38	38
200	500	419	360	207	207	61	61
250	550	479	425	260	259	82	82
300	550	532	485	308	308	108	108
350	600	594	555	338	338	148	148
400	650	652	620	389	389	186	186
450	700	702	670	439	439	223	223
500	750	752	730	488	488	290	290
600	800	857	845	586	586	362	362

EN1092-1; Extended temperature - High Viscosity and Cryogenic (SS) version - PN16

Nominal size	Dimensions [mm]					Approximate weight [kg]	
	DN	L	H	W	Di CS	Di SS	CS
100	350	261	220	104	104	23	23
125	350	287	250	130	130	29	29
150	350	319	285	158	158	38	38
200	450	409	340	207	207	49	49
250	500	469	405	260	260	67	68
300	500	520	460	310	310	82	82

EN1092-1; Extended temperature - High Viscosity and Cryogenic (SS) version - PN10

Nominal size	Dimensions [mm]					Approximate weight [kg]	
	DN	L	H	W	Di CS	Di SS	CS
200	450	409	340	207	207	50	50
250	500	512	445	260	260	66	66
300	500	512	445	310	310	75	75
350	500	559	505	342	342	91	91
400	600	594	565	393	393	114	114
450	600	674	615	443	443	130	130
500	650	722	670	494	494	151	151
600	700	824	780	594	594	195	195
700	750	929	895	694	③	280	③
800	900	1039	1015	794	③	380	③
900	900	1137	1115	889	③	469	③
1000	1000	1247	1230	991	③	595	③

③ TBD - Consult KROHNE for more information

ASME 150 lb - Extended temperature - High Viscosity and Cryogenic versions

Nom. size	Dimensions						Inner diameter [Di]		Approximate weight			
	L		H		W		CS / SS ①		CS		SS	
	[inch]	[mm]	[inch]	[mm]	[inch]	[mm]	[inch]	[mm]	[lb]	[kg]	[lb]	[kg]
1	9,8	250	6,0	152	4,3	108	1,1	27	20	9	20	9
1¼	10,2	260	6,3	161	4,6	117	1,4	35	24	11	22	10
1½	10,6	270	6,9	174	5,0	127	1,6	41	26	12	24	11
2	11,8	300	7,4	187	6,0	152	2,1	53	33	15	33	15
2½	11,8	300	8,7	221	7,0	178	2,5	63	42	19	42	19
3	13,8	350	9,2	233	7,5	191	3,1	78	44	20	44	20
4	13,8	350	10,4	265	9,0	229	4,0	102	57	26	57	26
5	13,8	350	11,4	289	10,0	254	5,0	128	71	32	71	32
6	15,7	400	12,4	316	11,0	279	6,1	154	88	40	88	40
8	17,7	450	16,1	408	13,5	343	8,0	203	119	54	115	52
10	21,7	550	18,5	470	16,0	406	10,0	255	168	76	159	72
12	21,7	550	20,9	531	19,0	483	12,0	305	216	99	216	99
14	27,6	700	20,9	531	21,0	533	13,3	337	311	141	298	135
16	31,5	800	23,2	589	23,5	597	15,3	388	399	181	373	169
18	31,5	800	25,0	635	25,0	635	17,2	438	470	213	414	188
20	31,5	800	27,2	692	27,5	699	19,3	489	560	254	518	235
24	33,5	850	31,5	801	32,0	813	23,3	591	869	394	692	314
28	35,4	900	37,2	945	36,5	927	27,1 ①	687 ①	1052	527	-	-
32	37,4	950	41,8	1062	41,8	1061	30,8 ①	783 ①	1598	769	-	-
36	41,3	1050	45,8	1163	46,0	1168	34,8 ①	884 ①	2006	963	-	-
40	43,3	1100	50,2	1276	50,8	1289	38,6 ①	980 ①	2621	1225	-	-

① Inner Diameter SS differs from CS, consult KROHNE for more information

ASME 300 lb - Extended temperature - High Viscosity and Cryogenic versions.

Nom. size	Dimensions						Inner diameter [Di]		Approximate weight			
	L		H		W		CS / SS ①		CS		SS	
	[inch]	[mm]	[inch]	[mm]	[inch]	[mm]	[inch]	[mm]	[lb]	[kg]	[lb]	[kg]
1	9,8	250	6,3	160	4,9	124	1,1	27	22	10	22	10
1¼	10,2	260	6,6	169	5,3	133	1,4	35	24	11	22	10
1½	10,6	270	6,9	175	6,1	155	1,6	41	31	14	29	13
2	11,8	300	7,6	194	6,5	165	2,1	53	35	16	35	16
2½	11,8	300	9,0	227	7,5	191	2,5	63	44	20	44	20
3	13,8	350	9,6	243	8,3	210	3,1	78	53	24	53	24
4	15,7	400	10,9	278	10,0	254	4,0	102	79	36	79	36
5	15,7	400	11,9	301	11,0	279	5,0	128	97	44	97	44
6	17,7	450	13,2	335	12,5	318	6,1	154	128	58	128	58
8	19,7	500	16,8	427	15,0	381	8,0 ①	203 ①	203	92	187	85
10	21,7	550	19,2	489	17,5	445	9.7 ①	248 ①	288	135	265	120
12	23,6	600	21,4	544	20,5	521	11.8 ①	299 ①	428	194	392	178
14	27,6	700	24,0	609	23,0	584	13.1 ①	333 ①	536	243	518	235
16	31,5	800	26,2	665	25,5	648	15,0	381	699	317	697	316
18	31,5	800	28,4	722	28,0	711	16,5 ①	419 ①	941	427	871	395
20	31,5	800	30,5	774	30,5	775	18,4 ①	467 ①	1131	513	1023	464
24	33,5	850	34,8	884	36,0	914	22,1 ①	560 ①	1658	752	1530	694

① Inner Diameter SS differs from CS, consult KROHNE for more information

ASME 600 lb - Extended temperature - High Viscosity and Cryogenic versions.

Nom. size	Dimensions						Inner diameter [Di]		Approximate weight			
	L		H		W		CS / SS ①		CS		SS	
	[inch]	[mm]	[inch]	[mm]	[inch]	[mm]	[inch]	[mm]	[lb]	[kg]	[lb]	[kg]
1	10,6	270	6,3	160	4,9	124	1,1	27	24	11	24	11
1¼	10,6	270	6,6	169	5,3	133	1,4	35	24	11	24	11
1½	11,4	290	7,4	189	6,1	155	1,5 ①	39 ①	33	15	33	15
2	13,0	330	7,6	194	6,5	165	2,1	53	40	18	40	18
2½	13,0	330	9,0	227	7,5	191	2,5	63	51	23	51	23
3	15,7	400	9,6	243	8,3	210	2,9	74	62	28	62	28
4	15,7	400	11,3	287	10,8	273	3,6 ①	92 ①	110	50	108	49
5	19,7	500	12,9	327	13,0	330	4,8	122	172	78	172	78
6	19,7	500	13,9	354	14,0	356	5,5 ①	140 ①	223	101	216	98
8	21,7	550	17,6	446	16,5	419	7,6	194	320	145	313	142
10	25,6	650	20,5	521	20,0	508	9,3 ①	236 ①	536	243	503	228
12	27,6	700	23,0	583	22,0	559	11,1 ①	281 ①	679	308	631	286
14	29,5	750	24,3	618	23,8	603	12,1 ①	308 ①	842	382	789	358
16	31,5	800	26,9	684	27,0	686	13,9 ①	354 ①	1155	524	1074	487
18	33,5	850	29,1	738	29,3	743	15,7 ①	398 ①	1442	654	1307	593
20	35,4	900	31,2	793	32,0	813	17,4 ①	443 ①	1832	831	1682	763
24	37,4	950	35,3	896	37,0	940	20,9 ①	532 ①	2630	1193	2383	1081

① Inner Diameter SS differs from, consult KROHNE for more information

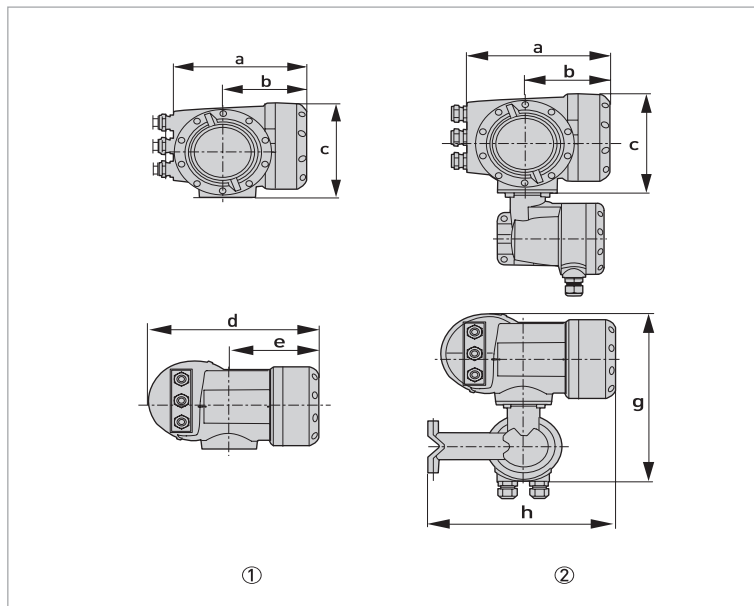
ASME 900 lb - Extended temperature, High Viscosity and *Cryogenic versions.

Nom. size	Dimensions						Inner diameter [Di]		Approximate weight			
	L		H		W		CS / SS ①		CS		SS	
	[inch]	[mm]	[inch]	[mm]	[inch]	[mm]	[inch]	[mm]	[lb]	[kg]	[lb]	[kg]
3	17,7	450	10,7	271	9,5	241	2,6 ①	67 ①	93	42	93	42
4	17,7	450	12,1	309	11,5	292	3,4 ①	87 ①	143	65	141	64
6	23,6	600	14,9	379	15,0	381	5,2 ①	132 ①	309	140	304	138
8	31,5	800	18,6	472	18,5	470	7,0 ①	178 ①	540	245	503	228
10	31,5	800	21,6	550	21,5	546	8,5 ①	216 ①	809	367	756	343
12	35,4	900	24,0	609	24,0	610	10,1 ①	257 ①	1129	512	994	451
14	35,4	900	25,1	637	25,2	641	11,2 ①	284 ①	1303	591	1162	527
16	39,4	1000	27,3	694	27,7	705	13,1 ①	333 ①	1627	738	1517	688
18	39,4	1000	29,9	760	31,0	787	14,9 ①	378 ①	2112	958	2022	917
20	39,4	1000	32,6	828	33,8	857	16,5 ①	419 ①	2599	1179	2399	1088
24	51,2	1300	37,6	955	41,0	1041	19,9 ①	505 ①	4830	2191	4482	2033

① Inner Diameter SS differs from CS, consult KROHNE for more information

*Cryogenic and XXT versions not available for 8"..."24"

8.3.4 Signal converter housing



- ① Compact housing (C)
 ② Field housing (F)

Dimensions and weights in mm and kg

Version	Dimensions [mm]							Weight [kg]
	a	b	c	d	e	g	h	
C	202	120	155	260	137	-	-	4.2
F	202	120	155	-	-	295.8	277	5.7

Dimensions and weights in inch and lb

Version	Dimensions [inch]							Weight [lb]
	a	b	c	d	e	g	h	
C	7.75	4.75	6.10	10.20	5.40	-	-	9.30
F	7.75	4.75	6.10	-	-	11.60	10.90	12.60

8.4 Pressure derating

EN 1092-1

A = Carbon steel C22.8 / B = Stainless steel 1.4404

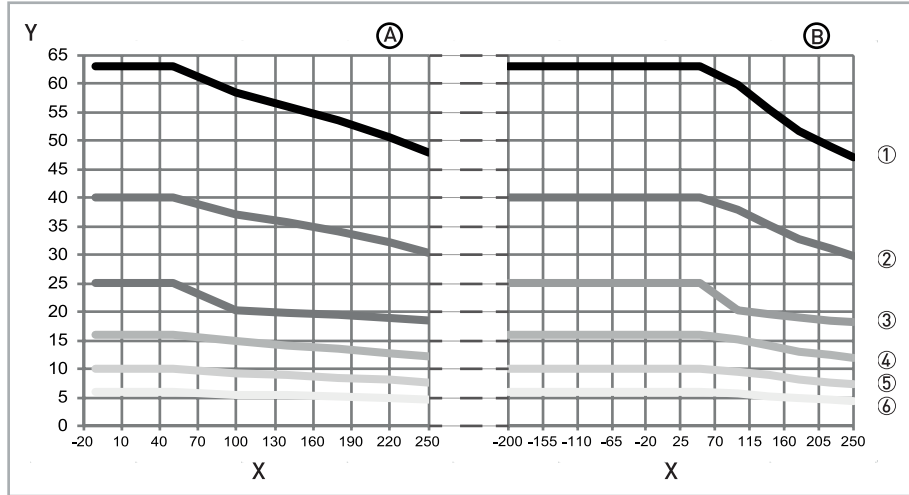


Figure 8-2: X = Temperature [°C] / Y = Pressure [bar]

- ① PN63
- ② PN40
- ③ PN25
- ④ PN16
- ⑤ PN10
- ⑥ PN6

For temperatures down to -25°C, other materials are available on request.

ASME B16.5

A = Carbon steel ASTM A105N / B = Stainless steel SS 316L

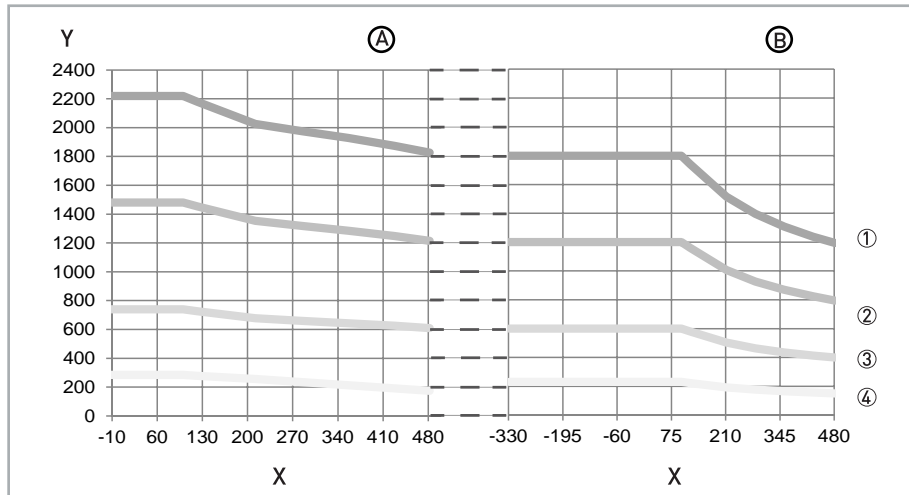


Figure 8-3: X = Temperature [°F] / Y = Pressure [psi]

- ① 900 lb
- ② 600 lb
- ③ 300 lb
- ④ 150 lb

Carbon steel flanges are limited to -29°F. For lower temperatures, low temperature carbon steel (LTCS) is used. Below -56°F stainless steel is used

9.1 General description

The open HART[®] protocol, which can be used freely, is integrated into the signal converter for communication.

Devices which support the HART[®] protocol are classified as either operating devices or field devices. When it comes to operating devices (Master), both manual control units (Secondary Master) and PC-supported workstations (Primary Master) are used in, for example, a control centre.

HART[®] field devices include measuring sensors, signal converters and actuators. The field devices range from 2-wire to 4-wire to intrinsically safe versions for use in hazardous areas.

The HART[®] data are superimposed over the analogue 4...20 mA signal via FSK modem. This way, all of the connected devices can communicate digitally with one another via the HART[®] protocol while simultaneously transmitting the analogue signals.

When it comes to the field devices and secondary masters, the FSK or HART[®] modem is integrated, whereas with a PC communication takes place via an external modem which must be connected to the serial interface. There are, however, other connection variants which can be seen in the following connection figures.

9.2 Software history



INFORMATION!

In the table below, "x" is a placeholder for possible multi-digit alphanumeric combinations, depending on the available version.

Release date	Electronic Revision	HART [®]	
		Device Revision	DD Revision
2013-04-29	2.2.0	1	1

HART[®] identification codes and revision numbers

Manufacturer ID:	69 (0x45)
Expanded Device Type:	0x45d2
Device Revision:	1
DD Revision:	1
DD version NAMUR:	01.11
HART [®] Universal Revision:	7
FC 375/475 system SW.Rev.:	≥ 3.7
AMS version:	≥ 11.1
PDM version:	≥ 6.0
FDM version:	≥ 4.10

9.3 Connection variants

The signal converter is a 4-wire device with 4...20 mA current output and HART[®] interface. Depending on the version, the settings and the wiring, the current output can operate as passive or active output.

- **Multi-Drop Mode is supported**
In a Multi-Drop communication system, more than 2 devices are connected to a common transmission cable.
- **Burst Mode is not supported**
In the Burst Mode a slave device transfers cyclic pre-defined response telegrams, to get a higher rate of data transfer.



INFORMATION!

For detailed information about the electrical connection of the signal converter for HART[®], refer to the section "Electrical connection".

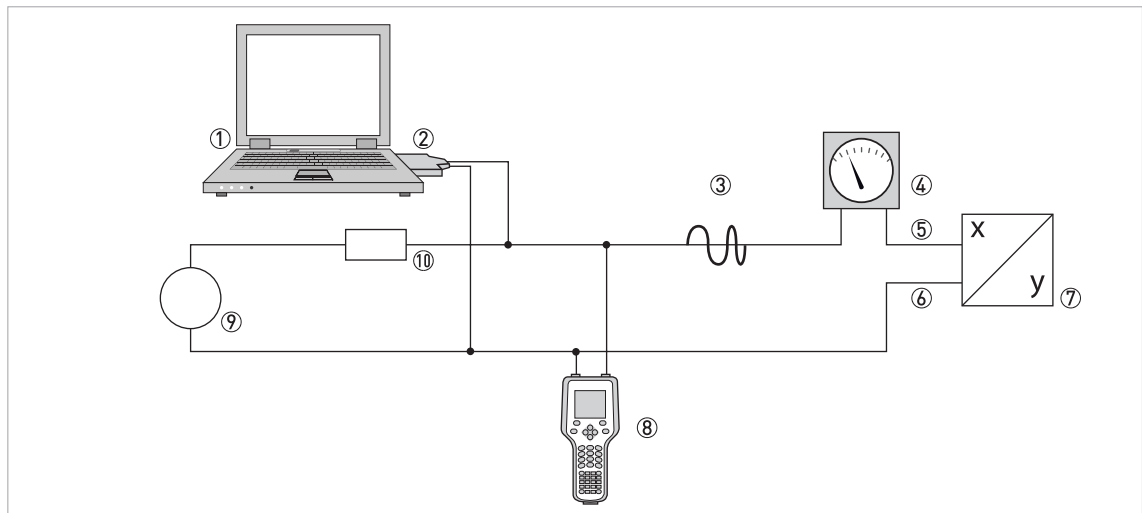
There are two ways of using the HART[®] communication:

- as Point-to-Point connection and
- as multi-drop connection, with 2-wire connection or as multi-drop connection, with 3-wire connection.

9.3.1 Point-to-Point connection - analogue / digital mode

Point-to-Point connection between the signal converter and the HART[®] Master.

The current output of the device may be active or passive.

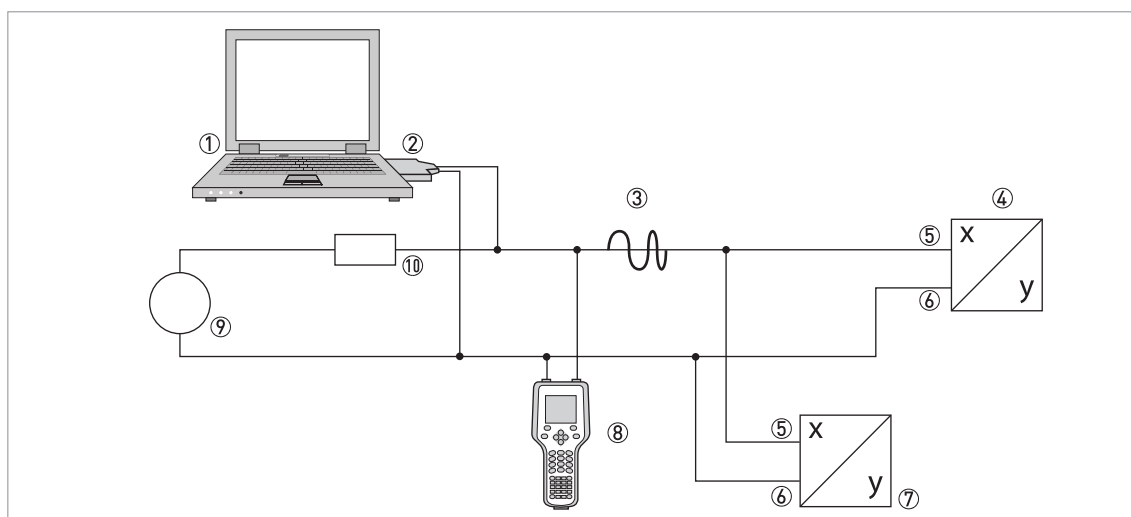


- ① Primary master
- ② FSK modem or HART[®] modem
- ③ HART[®] signal
- ④ Analog indication
- ⑤ Signal converter terminals A (C)
- ⑥ Signal converter terminals A- (C-)
- ⑦ Signal converter with address = 0 and passive or active current output
- ⑧ Secondary Master
- ⑨ Power supply for devices (slaves) with passive current output
- ⑩ Load $\geq 250 \Omega$ (0hm)

9.3.2 Multi-Drop connection (2-wire connection)

In the case of a multi-drop connection, up to 15 devices may be installed in parallel (this signal converter and other HART[®] devices).

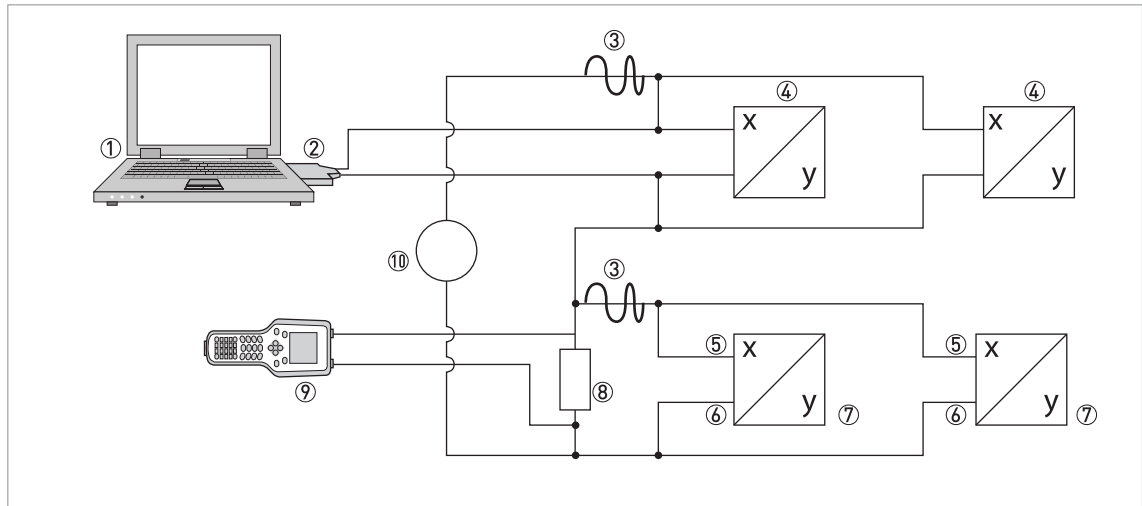
The current outputs of the devices must be passive!



- ① Primary Master
- ② HART[®] modem
- ③ HART[®] signal
- ④ Other HART[®] devices or this signal converter (see also ⑦)
- ⑤ Signal converter terminals A (C)
- ⑥ Signal converter terminals A- (C-)
- ⑦ Signal converter with address > 0 and passive current output, connection of max. 15 devices (slaves) with 4...20 mA
- ⑧ Secondary Master
- ⑨ Power supply
- ⑩ Load $\geq 250 \Omega$ (Ohm)

9.3.3 Multi-Drop connection (3-wire connection)

Connection of 2-wire and 4-wire devices in the same network. In order that the current output of the signal converter is working continuously active, an additional third wire must be connected to the devices in the same network. These devices must be powered via a 2-wire loop.



- ① Primary Master
- ② HART® modem
- ③ HART® signal
- ④ 2-wire external devices (slaves) with 4...20 mA, addresses > 0, powered by current loop
- ⑤ Signal converter terminals A (C)
- ⑥ Signal converter terminals A- (C-)
- ⑦ Connection of active or passive 4-wire devices (slaves) with 4...20 mA, addresses > 0
- ⑧ Load $\geq 250 \Omega$ (Ohm)
- ⑨ Secondary Master
- ⑩ Power supply

9.4 Inputs/outputs and HART[®] dynamic variables and device variables

The signal converter is available with various in-/output combinations.

The connection of the terminals A...D to the HART[®] dynamic variables PV, SV, TV and QV depends on the device version.

PV = Primary Variable; SV = Secondary Variable; TV = Third Variable; QV = Quarternary Variable

Signal converter version	HART [®] dynamic variable			
	PV	SV	TV	QV
Basic I/O, connection terminals	A	D	-	-
Modular I/O and Ex i I/O, connection terminals	C	D	A	B

The signal converter can provide up to 14 measurement-related values. These values are accessible as so-called HART[®] device variables and can be connected to the HART[®] dynamic variables. The availability of these variables depends on the device versions and the settings. Code = device variable code

Device variables

HART [®] device variable	Code	Type	Explanations
volume flow	0	linear	
velocity of sound	1	linear	
mass flow	2	linear	
flow speed	3	linear	
signal gain	4	linear	
SNR	5	linear	
diagnostics velocity of sound	6	linear	*
diagnostics flow speed	7	linear	*
diagnostics gain	8	linear	*
diagnostics SNR	9	linear	*
operating hours	10	linear	
volume totaliser 1	11	linear	*
mass totaliser 1	12	linear	**
volume totaliser 2	13	linear	**
mass totaliser 2	14	linear	**
volume totaliser 3	15	linear	**
mass totaliser 3	16	linear	**

* Availability depends on diagnosis value setting.

** Availability depends on concentration measurement settings.

For the dynamic variables connected to the linear analogue outputs (for current and/or frequency) the device variables are assigned by selecting the measurement for the related outputs. Only linear device variables can be assigned in this case.

For dynamic variables not connected to linear analogue outputs both linear and totaliser device variables can be assigned.

9.5 Remote operation

In addition to the local user interface panel the device may be operated remotely via the communication interface. There are different operating tools including small handhelds and large integrated maintenance systems. For adaptation to different devices two main technologies are used: The Device Description (DD) and the Field Device Tool Device Type Manager (FDT DTM). Both a DD and a DTM contain the description of a device's user interface, parameter database and communication interface. After being installed in an operating tool they allow access to device specific data. In the DD environment an operating tool is usually referred to as "host"; in the FDT DTM environment it is called "frame application" or "FDT container".

A DD is sometimes also referred to as EDD for Enhanced Device Description. This emphasizes some enhancements in specification like e.g. GUI support but doesn't imply a new technology.

For improving interoperability between DD hosts standard menu entry points have been specified:

- Root Menu
Default top level menu for DD host applications with limited display space (e.g. handhelds).
- Process Variables Root Menu
Provides process measurements and set points. For GUI based DD host applications.
- Diagnostic Root Menu
Shows device state and diagnostic information. For GUI based DD host applications.
- Device Root Menu
Provides access to all field device capabilities. For GUI based DD host applications.
- Offline Root Menu
Provides access to all field device capabilities that can be manipulated while the host application is not connected to the field device.

For detailed information about the standard menus refer to refer to *HART Menu Tree; UFC400* on page 131.

The support of the standard menu entry points by the different DD hosts is described next.

9.5.1 Online/offline operation

DD hosts have different characteristics and support different operating modes for configuring devices, online and offline mode.

In online mode the host application can currently communicate with the device. The device can immediately check and perform configuration changes and update dependent parameters in case.

In offline mode the host application works only with a copy of the device's configuration data set and the DD needs to imitate the device's checks and updates.

Unfortunately the DD isn't informed by the host whether it is running in online or offline mode. In order to avoid interference between update functionality of the DD and the device there is a local parameter "Online Mode?" in the "Detailed Setup / HART" menu which can be set accordingly by the user.

9.5.2 Parameters for the basic configuration

There are parameters, such as measurement of counters, selection of diagnosis values and setting of concentration function, which require a warm start of the device following data changes before other parameters may be written. Depending on the operating mode of the host system (online/offline mode) these parameters need to be treated differently.

In online mode the settings should be changed with the corresponding online methods only, in order to perform the warm start immediately and update dependent parameters automatically afterwards.

In the menu tree these methods are located below the related parameters (e.g. in a counter menu the method "Select Measurement" below the parameter "Measurement").

In offline mode the parameter "Online Mode?" in the "Detailed Setup / HART" menu should be set to "no" before the configuration settings are changed as desired. Before writing the entire offline configuration data set to the device the method "Prepare Parameter Download" in the "Detailed Setup / HART" menu should be executed. This method writes the parameters for basic configuration to the device and performs a warm start afterwards.



INFORMATION!

The Emerson Field Communicator and Simatic PDM execute this method automatically before sending a configuration or performing a "Download to Device" respectively.

9.5.3 Units

There are separate physical units settings for configuration parameters and HART[®] dynamic/device variables. The units settings for configuration parameters are the same as on the device's local display. They are available in the menu "Detailed Setup / Device / Units". For each HART[®] dynamic/device variable the physical unit can be set individually. They are available in the menu "Detailed Setup / Process Input / HART". The different units settings can be aligned with the method "Align HART Units" in the menu "Detailed Setup / Process Input / HART".

9.6 Field Communicator 375/475 (FC 375/475)

The Field Communicator is a hand terminal from Emerson Process Management that is designed to configure HART[®] and Foundation Fieldbus devices. Device Descriptions (DDs) are used to integrate different devices into the Field Communicator.

9.6.1 Installation

The HART[®] Device Description for the signal converter must be installed on the Field Communicator. Otherwise only the functions of a generic DD are available to the user and the entire device control is not possible. A "Field Communicator Easy Upgrade Programming Utility" is required to install the DDs on the Field Communicator.

The Field Communicator must be equipped with a system card with "Easy Upgrade Option". For details consult the Field Communicator User's Manual.

9.6.2 Operation

The Field Communicator supports the DD Root Menu for online access to the device. The Root Menu is implemented as a combination of the other standard menus Process Variables Root Menu, Diagnostic Root Menu and Device Root Menu.



INFORMATION!

For more detailed information see, HART Menu Tree Field Communicator HART Application on page; refer to Process Variables Root Menu on page 135

Operating the signal converter via the Field Communicator is very similar to manual device control using the keyboard. The help attribute of each parameter contains its function number as a reference to the local device display and the handbook.

Parameter protection for custody transfer is the same as on the device's local display. Other specific protective functions such as the passwords for the quick setup menu and the setup menu are not supported with HART®.

The Field Communicator always saves a complete configuration for the exchange with AMS. However, in the offline configuration and when sending to the device, the Field Communicator only takes into account a partial parameter set (like the standard configuration of the old HART® Communicator 275).

9.7 Asset Management Solutions (AMS)

The Asset Management Solutions Device Manager (AMS) is a PC program from Emerson Process Management which is designed to configure and manage HART[®], PROFIBUS and Foundation-Fieldbus devices. Device Descriptions (DDs) are used to integrate different devices into the AMS.

9.7.1 Installation

If the signal converter Device Description has not yet been installed on the AMS system, a so-called Installation Kit HART[®] AMS is required. It is available for download from the website or on CD ROM.

For installation with the Installation Kit refer to the "AMS Intelligent Device Manager Books Online" section "Basic Functionality / Device Information / Installing Device Types".



INFORMATION!

Please read the "readme.txt", which is also contained in the Installation Kit.

9.7.2 Operation

AMS supports the Process Variables Root Menu, Diagnostic Root Menu and Device Root Menu for online access to the device.



INFORMATION!

For more detailed information see, on page refer to HART Menu Tree AMS - Device's context menu on page 132.

Operating the signal converter via the AMS Device Manager is similar to manual device control using the keyboard. The help attribute of each parameter contains its function number as a reference to the local device display and the handbook.

Parameter protection for custody transfer and service is the same as on the device's local display. Other specific protective functions such as the passwords for the quick setup menu and the setup menu are not supported with HART[®].

When copying configurations in AMS, unit parameters need to be transferred first. Otherwise related parameters may be not transferred correctly. When the compare view has been opened during a copy process, go at first to the units section of the device menu ("Detailed Setup / Device / Units") and transfer all unit parameters. Note that read-only parameters need to be transferred individually!

9.8 Process Device Manager (PDM)

The Process Device Manager (PDM) is a Siemens PC program designed to configure HART® and PROFIBUS devices. Device Descriptions (DDs) are used to integrate different devices into the PDM.

9.8.1 Installation

If the signal converter Device Description has not yet been installed on the PDM system, a so-called Device Install HART® PDM is required for the signal converter. This is available for download from the website or on CD-ROM.

For installation with the Device Install, see the PDM manual, Section 13 - Integrating devices.



INFORMATION!

Please read the "readme.txt", which is also contained in the Installation Kit.

9.8.2 Operation

PDM supports the Process Variables Root Menu, Diagnostic Root Menu and Device Root Menu for online access to the device and the Offline Root Menu for offline configuration.



INFORMATION!

For more detailed information see on page 133.

The classic approach for PDM is the offline operation with the PDM parameter table and the transfer of entire configuration data sets with the "Download to Device" and "Upload to PG/PC" functions. The parameter "Online Mode?" in the "Detailed Setup / HART" table section of the parameter table should be set to "no". However PDM also supports online operation from the "Device" and the "View" sections of the menu bar which is more similar to manual device control using the keyboard. Usually offline and online configuration data sets are separated in PDM. Still there is some interdependency e.g. regarding evaluation of parameter and menu conditionals: If e.g. the "Access Level" is changed in an online menu the offline configuration data set needs to be updated with "Upload to PG/PC" before the related online menus actually become accessible.

The help attribute of each parameter contains its function number as a reference to the local device display and the handbook.

Parameter protection for custody transfer and service is the same as on the device's local display. Other specific protective functions such as the passwords for the quick setup menu and the setup menu are not supported with HART®.

9.9 Field Device Manager (FDM)

A Field Device Manager (FDM) is basically a PC program from Honeywell used to configure HART[®], PROFIBUS and Foundation Fieldbus devices. Device Descriptions (DDs) and Device Type Managers (DTMs) are used to integrate different devices into the FDM.

9.9.1 Installation

If the signal converter Device Description has not yet been installed on the FDM system, the Device Description is required in binary format and is available for download from the website or on CD ROM.

For information on installing the Device Description, refer to the FDM User Guide - section 4.8 Managing DDs.

9.9.2 Operation

FDM supports the Process Variables Root Menu, the Diagnostic Root Menu and the Device Root Menu for online access to the device and the Offline Root Menu for offline configuration.



INFORMATION!

For more detailed information see; on page 134.

The help attribute of each parameter contains its function number as a reference to the local device display and the handbook.

Parameter protection for custody transfer is the same as on the device's local display. Other specific protective functions such as the passwords for the quick setup menu and the setup menu are not supported with HART[®].

9.10 Field Device Tool Device Type Manager (FDT DTM)

A Field Device Tool Container or Frame Application is basically a PC program used to configure HART[®], PROFIBUS and Foundation Fieldbus devices. Device Type Managers (DTMs) are used to integrate different devices into a FDT container.

9.10.1 Installation

If the Device Type Manager for the signal converter has not yet been installed on the FDT Container, a setup is required which is available for download from the website or on CD-ROM.

See the supplied documentation for information on how to install and set up the DTM.

9.10.2 Operation

Operating the signal converter via DTM is very similar to manual device control using the keyboard. See also the local device display and the handbook.

9.11 HART Menu Tree; UFC400

9.11.1 HART Menu Tree - Field Communicator HART Application

The Field Communicator supports the standard EDDL Root Menu.

In the signal converter HART DD it is implemented as a combination of other standard EDDL menus:

- Process Variables Root Menu (details on page 135)
- Diagnostic Root Menu (details on page 138)
- Device Root Menu (details on page 140)

The menus are located in the Field Communicator user interface as follows:

Field Communicator HART Application

1 Offline	
2 Online	1 Process Variables (Process Variables Root Menu)
	2 Diag/Service (Diagnostic Root Menu)
	3 Quick Setup (Device Root Menu)
	4 Detailed Setup (Device Root Menu)
	5 Service (Device Root Menu)
3 Utility	
4 HART Diagnostics	

9.11.2 HART Menu Tree AMS - Device's context menu

AMS supports the following standard EDDL menus:

- Process Variables Root Menu (details on page 135)
- Diagnostic Root Menu (details on page 138)
- Device Root Menu (details on page 140)

The menus are located in the AMS user interface as follows:

Device's context menu

Configure/Setup	Configure/Setup (Device Root Menu)
Compare	
Clear Offline	
Device Diagnostics	Device Diagnostics (Diagnostic Root Menu)
Process Variables	Process Variables (Process Variables Root Menu)
Scan Device	
Calibration Management	
Rename	
Unassign	
Assign / Replace	
Audit Trail	
Record Manual Event	
Drawings / Notes...	
Help...	

9.11.3 HART Menu Tree PDM - Menu Bar and Working Window

PDM supports the following standard EDDL menus:

- Process Variables Root Menu (details on page 135)
- Diagnostic Root Menu (details on page 138)
- Device Root Menu (details on page 140)
- Offline Root Menu (details on page 143)

The menus are located in the PDM user interface as follows:

Menu Bar

File	
Device	Communication path
	Download to Device...
	Upload to PG/PC...
	Update Diagnostic Status
	Quick Setup (Device Root Menu)
	Detailed Setup (Device Root Menu)
	Service (Device Root Menu)
View	Process Variables (Process Variables Root Menu)
	Diag/Service (Diagnostic Root Menu)
	Toolbar
	Status Bar
	Update
Options	
Help	

Working Window

Parameter Group Overview	(Offline Root Menu)
Parameter Table	

9.11.4 HART Menu Tree FDM - Device Configuration

FDM supports the following standard EDDL menus:

- Root Menu
- Process Variables Root Menu (details on page 135)
- Diagnostic Root Menu (details on page 138)
- Device Root Menu (details on page 140)

In the signal converter HART DD the Root Menu it is implemented as a combination of the other standard EDDL menus.

The menus are located in the FDM user interface as follows:

Device Configuration Window

Entry Points
Device Functions
Online (Root Menu)
Device (Device Root Menu)
Process Variables (Process Variables Root Menu)
Diagnostic (Diagnostic Root Menu)
Method List
FDM Status
FDM Device Properties
FDM Tasks
...

9.11.5 Description of used abbreviations

- ^{Opt} Optional, depending on device implementation/configuration
- Rd Read only
- ^{Loc} Local DD, affects only DD views
- ^{Cust} Custody lock protection

9.11.6 Process Variables Root Menu

Measured Values Overview

<ul style="list-style-type: none"> • Volume FlowRd • Volume Flow Data QualityRd • Volume Flow Limit StatusRd • Velocity of SoundRd • Velocity of Sound Data QualityRd • Velocity of Sound Limit StatusRd • Mass FlowRd • Mass Flow Data QualityRd • Mass Flow Limit StatusRd • Flow VelocityRd • Flow Velocity Data QualityRd • Flow Velocity Limit StatusRd 	<ul style="list-style-type: none"> • GainRd • Gain Data QualityRd • Gain Limit StatusRd • SNRRd • SNR Data QualityRd • SNR Limit StatusRd • Time StampRd • Ext. Field Device Status (0x08)Rd • Ext. Field Device Status (0x20)Rd • Ext. Field Device Status (0x10)Rd • Ext. Field Device Status (0x01)Rd
--	--

Output, HART Dynamic Variables

<p>Primary</p> <ul style="list-style-type: none"> • Measured ValueRd • Percent RangeRd • Loop CurrentRd 	<p>Secondary</p> <ul style="list-style-type: none"> • Measured ValueRd • Percent Range^{Rd, Opt} • Output Value^{Rd, Opt}
<p>Tertiary</p> <ul style="list-style-type: none"> • Measured ValueRd • Percent Range^{Rd, Opt} • Output Value^{Rd, Opt} 	<p>Quaternary</p> <ul style="list-style-type: none"> • Measured ValueRd • Percent Range^{Rd, Opt} • Output Value^{Rd, Opt}

Totaliser Overview

<ul style="list-style-type: none"> • Mass Totaliser 1^{Rd, Opt} • Mass Totaliser 1 Data Quality^{Rd, Opt} • Mass Totaliser 1 Limit Status^{Rd, Opt} • Volume Totaliser 1^{Rd, Opt} • Volume Totaliser 1 Data Quality^{Rd, Opt} • Volume Totaliser 1 Limit Status^{Rd, Opt} • Mass Totaliser 2^{Rd, Opt} • Mass Totaliser 2 Data Quality^{Rd, Opt} • Mass Totaliser 2 Limit Status^{Rd, Opt} • Volume Totaliser 2^{Rd, Opt} 	<ul style="list-style-type: none"> • Volume Totaliser 2 Data Quality^{Rd, Opt} • Volume Totaliser 2 Limit Status^{Rd, Opt} • Mass Totaliser 3^{Rd, Opt} • Mass Totaliser 3 Data Quality^{Rd, Opt} • Mass Totaliser 3 Limit Status^{Rd, Opt} • Volume Totaliser 3^{Rd, Opt} • Volume Totaliser 3 Data Quality^{Rd, Opt} • Volume Totaliser 3 Limit Status^{Rd, Opt} • Time StampRd
--	---

Diagnosis Overview

<ul style="list-style-type: none"> • Diagnosis Flow Velocity^{Rd, Opt} • Diagnosis Flow Velocity Data Quality^{Rd, Opt} • Diagnosis Flow Velocity Limit Status^{Rd, Opt} • Diagnosis Velocity of Sound^{Rd, Opt} • Diagnosis Velocity of Sound Data Quality^{Rd, Opt} • Diagnosis Velocity of Sound Limit Status^{Rd, Opt} • Diagnosis Gain^{Rd, Opt} • Diagnosis Gain Data Quality^{Rd, Opt} 	<ul style="list-style-type: none"> • Diagnosis Gain Limit Status^{Rd, Opt} • Diagnosis SNR^{Rd, Opt} • Diagnosis SNR Data Quality^{Rd, Opt} • Diagnosis SNR Limit Status^{Rd, Opt} • Operating HoursRd • Operating Hours Data QualityRd • Operating Hours Limit StatusRd • Time StampRd
---	---

Table 9-1: **Designations;**

^{Opt}; Optional, depend on device implementation / configuration

Rd; Read-only

9.11.7 Process Variables Root Menu Charts

Measured Values (Charts)

Measured Values (Bar)	Volume Flow Rd
	Velocity of Sound Rd
	Mass Flow Rd
	Flow Velocity Rd
	Gain Rd
	SNR Rd
Measured Values (Scope)	Volume Flow Rd
	Velocity of Sound Rd
	Mass Flow Rd
	Flow Velocity Rd
	Gain Rd
	SNR Rd

Diagnostic Values (Charts)

Diagnostic Values (Bar)	Diagnosis Flow Velocity Rd
	Diagnosis Velocity of Sound Rd
	Diagnosis Gain Rd
	Diagnosis SNR Rd
Diagnostic Values (Scope)	Diagnosis Flow Velocity Rd
	Diagnosis Velocity of Sound Rd
	Diagnosis Gain Rd
	Diagnosis SNR Rd

Output (Chart)

Output (Bar)	PV Measured Value Rd
	PV Loop Current Rd
	TV Measured Value ^{Rd, Opt}
	TV Output Value ^{Rd, Opt}
	SV Measured Value ^{Rd, Opt}
	SV Output Value ^{Rd, Opt}
	QV Measured Value ^{Rd, Opt}
	QV Output Value ^{Rd, Opt}
Output (Scope)	PV Measured Value Rd
	PV Loop Current Rd
	TV Measured Value ^{Rd, Opt}
	TV Output Value ^{Rd, Opt}
	SV Measured Value ^{Rd, Opt}
	SV Output Value ^{Rd, Opt}
	QV Measured Value ^{Rd, Opt}
	QV Output Value ^{Rd, Opt}

Table 9-2: **Designations;**

^{Opt}; Optional, depend on device implementation / configuration

Rd; Read-only

9.11.8 Diagnostic Root Menu

Status

Condensed Status NE 107	Failure Rd / Function check Rd / Out of specification Rd / Maintenance required Rd	
Standard	Device status Rd	Primary variable outside the operation limits
		Non-primary variable outside the operation limits
		Analog output outside the operating range limits
		Analog output in fixed mode
		More status available
		Cold start occurred
		Configuration changed
		Field device malfunctioned
	Extended device status Rd	Maintenance required
		Device variable alert
		Critical Power Failure
		Failure
		Out of specification
		Function check
Write Protect Rd		
	Device Diagnostic Status 0 Rd	Simulation active
		Non-Volatile memory failure
		Volatile memory error
		Watchdog reset executed
		Voltage conditions out of range
		Environmental conditions out of range
		Electronic failure
	Device Diagnostic Status 1	Status Simulation Active
		Discrete Variable Simulation Active
		Event Notification Overflow
	AO saturated Rd	Secondary Analog Channel Saturated
		Tertiary Analog Channel Saturated
		Quarternary Analog Channel Saturated
	AO fixed Rd	Secondary Analog Channel Fixed
		Tertiary Analog Channel Fixed
		Quarternary Analog Channel Fixed
Additional		
Process Rd	Mapping	<Details>
Configuration Rd	Mapping	<Details>
Electronics Rd	Mapping	<Details>
Sensor Rd	Mapping	<Details>

Status Display

Status Simulation	<Enable/disable status simulation>	Simulation values ^{Opt}
	Status Simulation Active Rd	
	<Simulation Values> ^{Opt}	
	Process Rd	Mapping Rd
	Configuration Rd	Mapping Rd
	Electronics Rd	Mapping Rd
	Sensor Rd	Mapping Rd
Status Mapping	Process	
	Configuration	
	Electronics	
	Sensor	
	...	
	<Reset to default>	
Simulation		
Process Input	<Simulation Volume Flow> / <Simulation Velocity of Sound>	
Input/Output	<Simulation A> / <Simulation B> / <Simulation C> / <Simulation D>	
Actual Values		
Flow	Volume Flow Rd / Mass Flow Rd / Flow speed Path 1 Rd / Flow speed Path 2 ^{Rd, Opt} / Flow speed Path 3 ^{Rd, Opt}	
Velocity of Sound	VoS Path 1 Rd / VoS Path 2 ^{Rd, Opt} / VoS Path 3 ^{Rd, Opt}	
Gain	Gain Path 1 Rd / Gain Path 2 ^{Rd, Opt} / Gain Path 3 ^{Rd, Opt}	
Signal to Noise Ratio	SNR Path 1 Rd / SNR Path 2 ^{Rd, Opt} / SNR Path 3 ^{Rd, Opt}	
Other	Operating hours Rd / Date Rd / Time Rd	
Information		
Information	C number Rd /	
	<Sensor Electronics>	
	<Electronic Revision>	
	Sensor Revision Rd	
Test/Reset		
Test/Reset	<Reset Errors>	
	<Warmstart>	
	<Device reset>	
	<Reset Configuration Changed Flag>	
	<Read GDC Object> ^{Opt}	
	<Write GDC Object> ^{Opt}	

Table 9-3: Designations;

^{Opt}; Optional, depend on device implementation / configurationRd; Read-only

9.11.9 Device Root Menu

Quick Setup

General	Language	Reset; <Reset Errors> ^{Opt} <Reset Totaliser 1> ^{Cust} <Reset Totaliser 2> ^{Cust} <Reset Totaliser 3> ^{Opt, Cust}
	Tag	
	Polling Address	

Detailed Setup

Process Input		
Meter size	Meter Size	
Density	Density	
Calibration	<Zero Calibration> / GK	
Filter	Minimum Limit / Maximum Limit / Flow Direction / Threshold Low Flow Cutoff / Hysteresis Low Flow Cutoff	
Plausibility	Error Limit / Counter Decrease / Counter Limit	
Simulation	<Simulation Volume Flow> / <Simulation Velocity of Sound>	
Information	<Sensor CPU> / <Sensor DSP> / <Sensor Driver> Serial Number Sensor Rd / V Number Sensor Rd / V Number Converter Rd	
Linearization	Linearization / Dynamic Viscosity ^{Opt}	
Pipe Temperature	Pipe Temperature	
Diagnosis Value	<Select Diagnosis 1> / Diagnostics 1 <Select Diagnosis 2> Diagnostics 2	Status Mapping: Electronics; IO connection - Power failure / Process; empty pipe - Signal lost - Signal unreliable / Configuration; totaliser <Reset to default>
HART	Sensor s/n / <Align HART Units> Volume flow, Velocity of Sound, Mass Flow, Flow Speed, Gain, SNR, Diagnosis VoS & SNR, Operating hours, Totaliser Unit / Format / Upper Sensor Limit Rd / Lower Sensor Limit Rd / Minimum Span Rd / Family Rd , Class Rd , Update Time Rd	

I/O

Hardware	Terminals A / Terminals B / Terminals C / Terminals D	
Current Output A/B/C ^{Opt}	Range 0% / Range 100% / Extended Range Min / Extended Range Max / Error Current / Error Condition / Measurement / Range Min / Range Max / Polarity / Limitation Min / Limitation Max / LFC Threshold / LFC Hysteresis / Time Constant / Invert Signal / Special Function ^{Opt} / Phase Shift ^{Opt} / <Information> / <Simulation>	
Frequency Output A/B/D ^{Opt}	Pulse Shape ^{Opt} / Pulse Width ^{Opt} / 100% Pulse Rate ^{Opt} / Measurement / Range Min / Range Max / Polarity / Limitation Min / Limitation Max / LFC Threshold / LFC Hysteresis / Time Constant / Invert Signal / Special Function ^{Opt} / Phase Shift ^{Opt} / <Information> / <Simulation>	
Pulse Output A/B/D ^{Opt}	Pulse Shape ^{Opt} / Pulse Width ^{Opt} / Max. Pulse Rate ^{Opt} / Measurement / Pulse Value Unit / Value Per Pulse / Polarity / LFC Threshold / LFC Hysteresis / Time Constant / Invert Signal / Special Function ^{Opt} / Phase Shift ^{Opt} / <Information> / <Simulation>	
Status Output A/B/C/D ^{Opt}	Mode / Output A ^{Opt} / Output B ^{Opt} / Output C ^{Opt} / Output D ^{Opt} / Invert Signal / <Information> / <Simulation>	
Limit Switch A/B/C/D ^{Opt}	Measurement / Threshold / Hysteresis / Polarity / Time Constant / Invert Signal / <Information> / <Simulation>	

Control Input A/B ^{Opt}	Mode / Invert Signal / <Information> / <Simulation>
I/O Totaliser	
Totaliser1/2/3 ^{Opt}	Totaliser Function / Measurement ^{Opt} / <Select Measurement> ^{Opt} / LFC Threshold ^{Opt} / LFC Hysteresis ^{Opt} / Time Constant ^{Opt} / Preset Value ^{Opt} / <Reset Totalizer> ^{Opt} / <Set Totaliser> ^{Opt} / <Stop Totaliser> ^{Opt} / <Start Totaliser> ^{Opt} / <Information>

I/O HART

I/O HART	PV is Rd / SV is / TV is / QV is / D/A Trim / Apply Values
----------	---

Device

Device Info	Tag / C Number Rd / Device Serial No. Rd / Electronic Serial No. Rd / <Electronic Revision ER>
Display	Language / Default Display / Optical Keys
1./2. Meas. Page	
1./2. Meas. Page	Function / Measurement 1.line / Range Min / Range Max / Limitation Min / Limitation Max / LFC Threshold / LFC Hysteresis / Time Constant / Format 1st Line / Measurement 2nd Line ^{Opt} / Format 2nd Line ^{Opt} / Measurement 3rd Line ^{Opt} / Format 3rd Line ^{Opt, Cust}
Graphic Page	Select Range / Range Centre / Range +/- / Time Scale
Special Functions	<Reset Errors> / <Warmstart> / Set Date and Time / <Read GDC Object> ^{Opt} / <Write GDC Object> ^{Opt}
Units	Meter Size Unit / Volume Flow Unit / Text Free Unit ^{Opt} / [m ³ /s]*Factor ^{Opt} / Mass Flow Unit / Text Free Unit ^{Opt} / [kg/s]*Factor ^{Opt} / Flow Velocity Unit / Temperature Unit / Volume Unit / Text Free Unit ^{Opt} / [m ³]*Factor ^{Opt} / Mass Unit / Text Free Unit ^{Opt} / [kg]*Factor ^{Opt} / Density Unit / Text Free Unit ^{Opt} / [kg/s]*Factor ^{Opt} / Temperature Unit / Pulse Value Unit (Mass) / Pulse Value Unit (Volume)

HART

HART	HARTRd / Loop current mode / Online Mode? ^{Loc} / <Prepare Parameter Download>
	Identification Polling address / Tag / Manufacturer Rd / Model Rd / Device ID Rd
	HART Revisions Universal revision Rd / Field device revision Rd / DD version Rd
	Device Info Descriptor / Message / Date / Final assembly number / Config. Change Count Rd Software revision Rd / Hardware revision Rd / Write Protect Rd / Custody Lock Rd
	Preambles Number of request preambles Rd / Number of response preambles

Service

Service Access	Access Level HART Rd / <Enable Service Access> / <Disable Service Access> ^{Opt}
----------------	---

Service^{Opt}

Signal Data	Frequency / Window Start / Window End / Pulse Form / Trigger level / Trigger Margin / Dead Time / Tracking / SNR Ping time
	Averaging
	Mode / Min. Stacking / Max. Stacking
	DSP sets
	DSP set 1 / DSP set 2 / DSP set 3
Service Parameter	<Device Reset> / Size entry
Service Info	Detected C-No Rd / Device Serial Number / Serial No. Sensor / V No. Sensor
Path Data	Number Of Paths / <Path calibration> / Path Length 1 / Path Length 2 / Path Length 3 / Weight 1 / Weight 2 / Weight 3 / T Expansion Coeff.
Service Calibration	Zero Instrument
	Path 1 / Path 2 / Path 3
	Reynolds Correction + Act. Reynolds data number / ...correction Rd / Reynolds number 1...10 / ...Flow deviation 1...10
	Reynolds Correction - Act. Reynolds data number / ...correction Rd / Reynolds number 1...10neg / ...Flow deviation 1...10neg

Table 9-4: **Designations;**^{Opt}; Optional, depend on device implementation / configurationRd; Read-only

9.11.10 Offline Root Menu

Identification

Identification	Tag / Long Tag / Descriptor / Message / Date
Device	Manufacturer Rd / Device Type Rd / HART Device ID Rd / Final Assembly Number / Device Serial No. Rd / C number Rd / Rd / Electronic Serial No. Rd
Detailed Setup	
Mapping of Variables	PV is / SV is / TV is / QV is

Process Input

Meter Size	Meter Size
Calibration	<Zero Calibration> / GK
Filter	Minimum Limit / Maximum Limit / Flow Direction / Threshold Low Flow Cutoff / Hysteresis Low Flow Cutoff
Plausibility	Error Limit / Counter Decrease / Counter Limit
Information	<Sensor CPU> / <Sensor DSP> / <Sensor Driver> / V No. Sensor Rd / Serial Number Sensor Rd / V no. Converter Rd
Linearization	Linearization / Dynamic Viscosity ^{Opt}
Pipe Temperature	Pipe Temperature
Density	Density
Diagnosis	<Select Diagnosis> 1/ diagn flow speed, diagn VoS, diagn gain, diagn SNR. <Select Diagnosis> 2 / diagn flow speed, diagn VoS, diagn gain, diagn SNR.
Status Mapping	Electronics: IO Connection / Power Failure Process: Empty Pipe / Signal Lost / Signal Unreliable Configuration: Totaliser <Reset to default>
HART	Sensor s/n / <Align HART Units> Volume Flow / Velocity of Sound / Mass Flow / Flow Speed / Gain / SNR / Diagnosis VoS / Diagnosis SNR / Operating Hours / Totaliser, Unit / Format / Upper Sensor Limit Rd / Lower Sensor Limit Rd / Minimum Span Rd / Family Rd / Class Rd / Update Time Rd

I/O

Hardware	Terminals A / Terminals B / Terminals C / Terminals D
Current Output A/B/C ^{Opt}	Range 0% / Range 100% / Extended Range Min / Extended Range Max / Error Current / Error Condition / Measurement / Range Min / Range Max / Polarity ^{Cust} / Limitation Min / Limitation Max / LFC Threshold / LFC Hysteresis / Time Constant / Special Function / Threshold Range Change ^{Opt} / Hysteresis Range Change ^{Opt}
Frequency Output A/B/D ^{Opt}	Pulse Shape ^{Opt} / Pulse Width ^{Opt} / 100% Pulse Rate ^{Opt} / Measurement / Range Min / Range Max / Polarity / Limitation Min / Limitation Max / LFC Threshold / LFC Hysteresis / Time Constant / Invert Signal / Special Function ^{Opt} / Phase Shift ^{Opt}
Pulse Output A/B/D ^{Opt}	Pulse Shape ^{Opt} / Pulse Width ^{Opt} / Max. Pulse Rate ^{Opt} / Measurement / Pulse Value Unit Rd / Value Per Pulse / Pulse value Unit / Polarity / LFC Threshold / LFC Hysteresis / Time Constant / Invert Signal / Special Function ^{Opt} / Phase Shift ^{Opt}
Status Output A/B/C/D ^{Opt}	Mode / Output A ^{Opt} / Output B ^{Opt} / Output C ^{Opt} / Output D ^{Opt} / Invert Signal
Limit Switch A/B/C/D ^{Opt}	Measurement / Threshold / Hysteresis / Polarity / Time Constant / Invert Signal

Control Input A/B ^{Opt}	Mode / Invert Signal
Current Input A/B ^{Opt}	Range 0% Rd / Range 100% Rd / Extended Range Min / Extended Range Max / Measurement / Range Min / Range Max / Time Constant
Totaliser 1/2/3 ^{Opt}	Totaliser Function / Measurement ^{Opt} / LFC Threshold ^{Opt} / LFC Hysteresis ^{Opt} / Time Constant ^{Opt} / Preset Value ^{Opt}

I/O HART

I/O HART	PV is Rd / SV is / TV is / QV is
----------	---

Device

Device Info	Tag / C Number Rd / Electronic Serial No. Rd
Display	Language / Default Display / Optical Keys
1./2. Meas. Page	Function / Measurement 1.line / Range Min / Range Max / Limitation Min / Limitation Max / LFC Threshold / LFC Hysteresis / Time Constant / Format 1st Line / Measurement 2nd Line ^{Opt} / Format 2nd Line ^{Opt} / Measurement 3rd Line ^{Opt} / Format 3rd Line ^{Opt}
Graphic Page	Select Range / Range Centre / Range +/- / Time Scale
Units	Meter Size Unit / Volume Flow Unit / Text Free Unit ^{Opt} / [m ³ /s]*Factor / Mass Flow Unit / Text Free Unit ^{Opt} / [kg/s]*Factor ^{Opt} / Flow Velocity Unit / Temperature Unit / Volume Unit / Text Free Unit ^{Opt} / [m ³]*Factor / Mass Unit / Text Free Unit ^{Opt} / [kg]*Factor ^{Opt} / Density Unit / Pulse Value Unit (Mass) / Pulse Value Unit (Volume)

HART

HART	HART Rd / Loop current mode / Online Mode? ^{Loc}
	Identification Polling address / Tag / Long Tag / Manufacturer Rd / Model Rd / HART Device ID Rd
	HART Revisions Universal revision Rd / Field device revision Rd / DD-Version Rd
	Device Info Distributor Rd / Device Profile Rd / Descriptor / Message / Date / Final assembly number / Config. change count Rd / Software revision Rd / Hardware revision Rd / Write Protect Rd / Custody Lock Rd
	Preambles Number of request preambles Rd / Number of response preambles

Service

Service Access	Access Level HART Rd
	Signal Data Frequency / Window Start / Window End / Pulse Form / Trigger Level / Trigger Margin / Dead time / Tracking / SNR / Ping time
	Averaging Mode / Min. Stacking / Max. Stacking
	DSP sets DSP set 1 / DSP set 2 / DSP set 3
Path Data	Number Of Paths / Path Length 1 / Path Length 2 / Path Length 3 / Weight 1 / Weight 2 / Weight 3 / T Expansion Coeff.
Service Calibration	Zero instrument Path 1 / Path 2 / Path 3
	Reynolds Correction + Act. Reynolds data number / ...correction Rd / Reynolds number 1...10 / Flow Deviation 1...10
	Reynolds Correction - Act. Reynolds data number / ...correction Rd / Reynolds number 1...10neg / Flow Deviation 1...10neg
Service Param.	Size entry
Service Info	Detected C-No. Rd / Device Serial Number / Serial Number Sensor / V Number Sensor

Table 9-5: **Designations;**^{Opt}; Optional, depend on device implementation / configurationRd; Read-only







KROHNE product overview

- Electromagnetic flowmeters
- Variable area flowmeters
- Ultrasonic flowmeters
- Mass flowmeters
- Vortex flowmeters
- Flow controllers
- Level meters
- Temperature assemblies
- Pressure transmitters
- Analysis products
- Products and systems for the oil & gas industry
- Measuring systems for the marine industry

Head Office KROHNE Messtechnik GmbH
Ludwig-Krohne-Str. 5
47058 Duisburg (Germany)
Tel.: +49 203 301 0
Fax: +49 203 301 103 89
info@krohne.com

The current list of all KROHNE contacts and addresses can be found at:
www.krohne.com

KROHNE