



Product shown with optional analog output cable

FEATURES	BENEFITS
Extended Life Oxygen Sensor	Expected Life upwards of 3-4 years
Acid Gas Resistant Sensor	Operates well in harsh atmospheres
Low Cost of Acquisition	Priced under \$1K
Excellent Speed of Response	Responds instantaneously to changes in O ₂

Product Description

The OXY-SEN™ Oxygen Monitor is an economically priced percent oxygen measuring system equipped with a standard measuring range of 0-100%. Available as an option, are dual 4-20 mA DC recorder outputs that are scaled over 0-100% and 0-25%. The instrument features an extended life, ambient temperature electrochemical sensor that is extremely resistant to a variety of acid gases including carbon dioxide. The front panel has an easy to read, 3-1/2 digit liquid crystal display. Input power to the OXY-SEN is 115/230 VAC, 50-60 Hz or 24 VDC. The OXY-SEN can be wall/panel mounted or used as a bench-top device.

The OXY-SEN was designed primarily for applications where the user prefers to mount the gas diffusion end of the sensor through a chamber, glove box, reactor, etc.

The diffusion end of the sensor has a threaded stock, providing an easy and convenient way of installing the sensor through the wall of a chamber, glove box, etc. by simply drilling and tapping an appropriately sized hole. Ten feet of coiled interconnecting sensor cable is supplied with each OXY-SEN Oxygen Monitor. For gas tight integrity, the extended-life sensor is equipped with an "O" ring that helps to form a gas-tight seal. One advantage of using a threaded sensor is that it eliminates the need to use sample pumps, air driven aspirators, etc. to provide sample to the sensor. An optional, flow through sensor housing is available for applications where external sampling is required.

Specifications

PERFORMANCE

Measurement Range: 0-100% oxygen (gas phase)

Measurement Error: ±1% of full scale (at 77°F and 29.92" Hg)

Linearity: ±1% of full scale

Response Time: 90% of full scale in under 30 seconds

Sensor Type: Long-life ambient temperature electrochemical

Temperature : Standard
Compensation

Operating Temperature Range: 40° to 104°F (5° to 40°C)

Warranty: 12 months (both sensor and electronics)

ELECTRICAL

Display: 3-1/2 digit liquid crystal

Input Power: 115/230 VAC, 50-60Hz or 24VDC

Analog Output (Optional): 4-20 mA DC scaled over 0-100% O₂ and 0-25% O₂ (selectable by connector position).

SAMPLE GAS CHARACTERISTICS

Storage Temperature Range: 40° to 104°F (5° to 40°C)

Sample Gas Pressure Limits: < 2 psig (0.14 kg/cm²)

CONSTRUCTION

Dimensions of Electronics Enclosure:

5-3/4 in. (146.05 mm) Width
5-1/2 in. (139.70 mm) Height
1-1/4 in. (31.75 mm) Depth
Note: All dimensions are without optional equipment

Dimensions of Sensor:

1.85 in. (47 mm) Height
0.9 in. (22.86 mm) Depth

Thread depth:

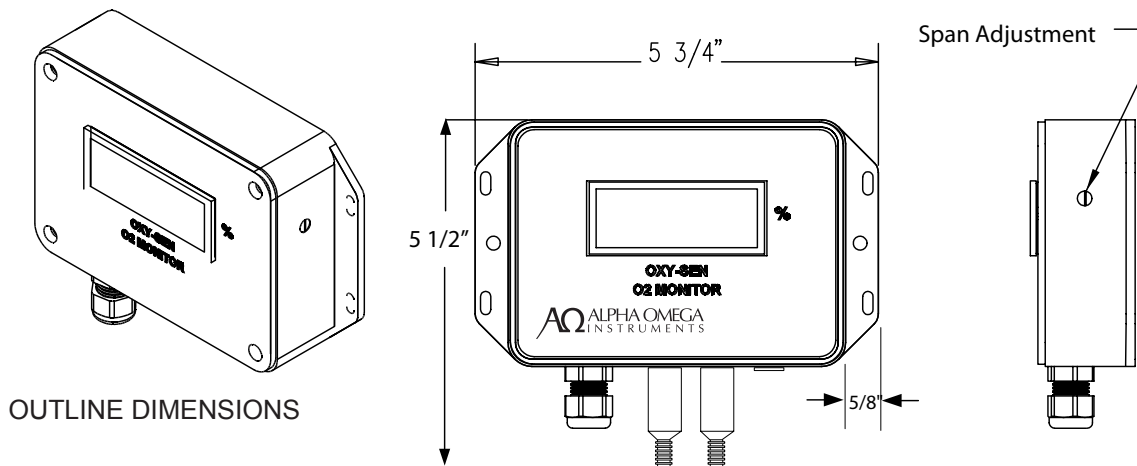
0.29 in. (7.34 mm)
(exclusive of O-ring)

Thread size:

M16 X 1

Weight

(with 10' of sensor cable): < 2 pounds (<0.907 kg)



AQ ALPHA OMEGA
INSTRUMENTS

40 Albion Road, Suite 100, Lincoln, RI 02865
Tel: 401.333.8580, 800.262.5977 Fax: 401.333.5550
Email: salescontact@aoi-corp.com Web: aoi-corp.com

Alpha Omega Instruments Accepts VISA, Mastercard, and AMEX