



**Blancett**<sup>®</sup>  
Turbine Flow Meters

# Turbine Flow Meter

QuikSert<sup>®</sup> Standard



**Badger Meter**

TRB-UM-00372-EN-06 (October 2018)

# User Manual

# CONTENTS

Scope of This Manual . . . . .	3
Unpacking and Inspection . . . . .	3
Safety . . . . .	3
Terminology and Symbols . . . . .	3
Introduction . . . . .	4
Operating Principle . . . . .	4
Installation . . . . .	5
Operational Startup . . . . .	7
Calibration . . . . .	7
Troubleshooting Guide . . . . .	8
Part Number Information . . . . .	9
Flow Range Chart . . . . .	9
Strainer Recommendations . . . . .	10
Repair Kit Information. . . . .	10
Specifications . . . . .	11
Pressure Rating . . . . .	11

## SCOPE OF THIS MANUAL

This manual is intended to help you install and operate the QuikSert turbine flow meter.

### IMPORTANT

*Read this manual carefully before attempting any installation or operation. Keep the manual accessible for future reference.*

## UNPACKING AND INSPECTION

Upon opening the shipping container, visually inspect the product and applicable accessories for any physical damage such as scratches, loose or broken parts, or any other sign of damage that may have occurred during shipment.

**NOTE:** If damage is found, request an inspection by the carrier's agent within 48 hours of delivery and file a claim with the carrier. A claim for equipment damage in transit is the sole responsibility of the purchaser.

## SAFETY

### Terminology and Symbols



Indicates a hazardous situation, which, if not avoided, is estimated to be capable of causing death or serious personal injury.



Indicates a hazardous situation, which, if not avoided, could result in severe personal injury or death.



Indicates a hazardous situation, which, if not avoided, is estimated to be capable of causing minor or moderate personal injury or damage to property.

### IMPORTANT

*Not following instructions properly may impair safety of equipment and/or personnel.*

## INTRODUCTION

The QuikSert Standard turbine flow meter was developed for liquid applications where accuracy and dependability are of concern to the operator. The stainless steel body incorporates a helical turbine with tungsten carbide shaft and bearings. It provides an efficient, long service life and a cost-effective solution for your measurement requirements.

Simple in design and construction, QuikSert uses modified upstream and downstream flow straighteners for a high degree of flow accuracy. Its between-the-flange design eliminates the need for mating flanges, requiring less space in the flow line, lowering costs and providing easy, one-person installation.

The meter produces a sine wave signal proportional to its volumetric flow rate. With optional Blancett electronics, QuikSert provides local flow rate and volume totalization and can interface with most instruments, PLCs and computers.

## OPERATING PRINCIPLE

Fluid entering the meter passes through the inlet flow straightener which reduces its turbulent flow pattern and improves the fluid's velocity profile. Fluid then passes through the turbine, causing it to rotate at a speed proportional to the fluid velocity. As each turbine blade passes through the magnetic field, the blade generates an AC voltage pulse in the pickup coil at the base of the magnetic pickup (see *Figure 1*). These pulses produce an output frequency proportional to the volumetric flow through the meter. The output frequency represents flow rate and/or totalization of fluid passing through the turbine flow meter.

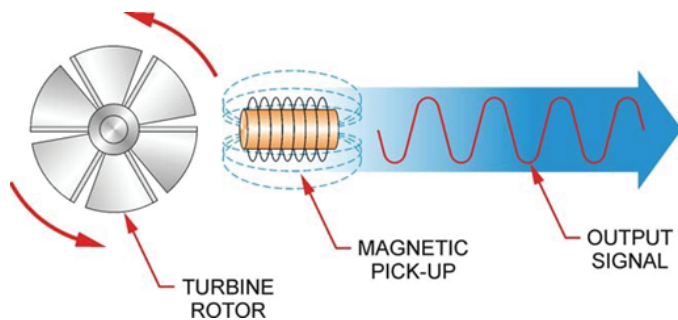


Figure 1: Electric signal generated by rotor movement

## INSTALLATION

1. Check the flow meter internally for foreign material and make sure the turbine rotor spins freely prior to installation.
2. Check fluid lines and clear any debris.
3. Install the flow meter with the flow arrow, etched on the exterior of the meter body, pointing in the direction of fluid flow.
4. Install the meter horizontally with the pickup facing upward, where possible. The liquid being measured should be free of any large particles that may obstruct rotation of the rotor.
5. Install a mesh strainer upstream before operation of the flow meter if particles are present. See "Repair Kit Information" on page 10.
6. Install a bypass line (Figure 2) for meter inspection and repair without interrupting flow. Install all control valves downstream of the flow meter, if a bypass line cannot be used (Figure 3 on page 6).

### ⚠ WARNING

**PRESSURE IN EXCESS OF ALLOWABLE RATING MAY CAUSE THE HOUSING TO BURST AND CAUSE SERIOUS PERSONAL INJURY.**

### ⚠ CAUTION

**DAMAGE CAN BE CAUSED BY STRIKING AN EMPTY METER WITH A HIGH VELOCITY FLOW STREAM.**

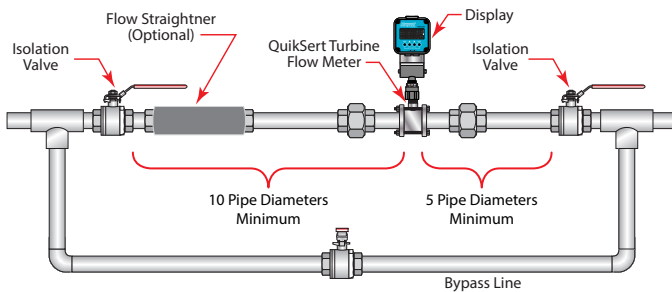


Figure 2: Meter installation using a bypass line

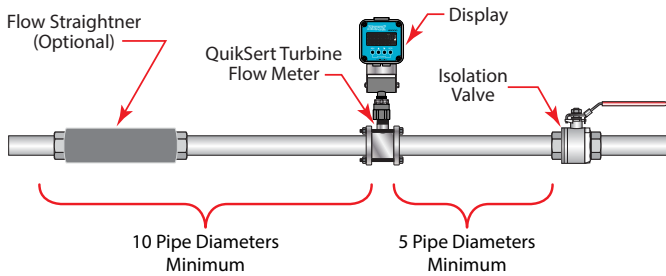


Figure 3: Meter installation without using a bypass line

7. Install all restrictions in the flow line that may cause the liquid to flash, downstream of the meter. If necessary, install air eliminators so the meter is not incorrectly measuring entrained air or gas.
8. Install a minimum length of ten pipe diameters of straight pipe on the upstream side of the meter and five diameters on the downstream side of the flow meter or meter accuracy may be affected. Piping should be the same size as the meter bore or threaded port size.

Do not install the flow meter or connection cable close to electric motors, transformers, sparking devices, high voltage lines, or place connecting cable in conduit with wires furnishing power for such devices. These devices can induce false signals in the flow meter coil or cable, causing the meter to read inaccurately.

Consult the *"Troubleshooting Guide"* on page 8 . If the internal components of the turbine flow meter are damaged beyond repair, order a turbine meter repair kit. Information pertaining to the turbine meter repair kits is referenced in *"Repair Kit Information"* on page 10.

## OPERATIONAL STARTUP

Follow these steps when installing and starting the meter.

### **⚠ WARNING**

**MAKE SURE THAT FLUID FLOW HAS BEEN SHUT OFF AND PRESSURE IN THE LINE RELEASED BEFORE ATTEMPTING TO INSTALL THE METER IN AN EXISTING SYSTEM.**

1. Close the isolation valves and open the bypass valve after installing the meter.
2. Flow liquid through the bypass valve for sufficient time to eliminate any air or gas in the flow line.

### **⚠ CAUTION**

**HIGH VELOCITY AIR OR GAS MAY DAMAGE THE INTERNAL COMPONENTS OF THE METER.**

3. Open the upstream isolating valve slowly to eliminate hydraulic shock while charging the meter with the liquid.
4. Open the valve to full open.
5. Open the downstream isolating valve to permit meter to operate.
6. Close the bypass valve to a full closed position.
7. Adjust the downstream valve to provide the required flow rate through the meter.

**NOTE:** The downstream valve may be used as a control valve.

## CALIBRATION

The meter and all attached electronics are calibrated on water at the factory and tagged with a K-factor (pulses per US Gallon). For maximum accuracy, calibrate the meter with the actual fluid being measured. The QuikSert meter can be recalibrated by any conventional meter-proving processes used to calibrate standard meters.

## TROUBLESHOOTING GUIDE

<b>Trouble</b>	<b>Possible Cause</b>	<b>Remedy</b>
Meter indicates higher than actual flow rate	<ul style="list-style-type: none"> <li>• Cavitation</li> <li>• Debris on rotor support</li> <li>• Build up of foreign material on meter bore</li> <li>• Gas in liquid</li> </ul>	<ul style="list-style-type: none"> <li>• Increase back pressure</li> <li>• Clean meter</li> <li>• Clean meter</li> <li>• Install gas eliminator ahead of meter</li> </ul>
Meter indicates lower than actual flow rate	<ul style="list-style-type: none"> <li>• Debris on rotor</li> <li>• Worn bearing</li> <li>• Viscosity higher than calibrated</li> </ul>	<ul style="list-style-type: none"> <li>• Clean meter and add filter</li> <li>• Clean meter and add filter</li> <li>• Recalibrate monitor</li> </ul>
Erratic system indication, meter alone works well (remote monitor application only)	Ground loop in shielding	Ground shield in one place only, look for internal electronic instrument ground. Reroute cables away from electrical noise
Indicator shows flow when shut off	Mechanical vibration causes rotor to oscillate without turning	Isolate meter
No flow indication Full or partial open position	Fluid shock, full flow into dry meter or impact caused bearing separation or broken rotor shaft	Rebuild meter with repair kit and recalibrate monitor. Move to location where meter is full on startup or add downstream flow control valve
Erratic indication at low flow, good indication at high flow	Rotor has foreign material wrapped around it	Clean meter and add filter
No flow indication	Faulty pickup	Replace pickup
System works perfect, except indicates lower flow over entire range	Bypass flow, leak	Repair or replace bypass valves, or faulty solenoid valves
Meter indicating high flow, upstream piping at meter smaller than meter bore	Fluid jet impingement on rotor	Change piping
Opposite effects of above	Viscosity lower than calibrated	Change temperature, change fluid or recalibrate meter

## PART NUMBER INFORMATION

Part Number*	Meter Bore Size × Line Size (in.)	End Connection	Flow Range	Strainer Mesh	Approx. K-Factor pulses/US gal	Weight	Max. Pressure Drop (psi)
B131-038	3/8 × 1	—	See "Flow Range Chart"	60	18,000	—	3.75
B131-050	1/2 × 1	—		60	13,000	—	6.5
B131-075	3/4 × 1	—		60	3300	—	18
B131-088	7/8 × 1	—		60	3100	—	20
B131-100	1 × 1	—		60	870	—	20
B132-050	1/2 × 2	—		60	13,000	—	12
B132-075	3/4 × 2	—		60	3300	—	18
B132-088	7/8 × 2	—		60	3100	—	20
B132-100	1 × 2	—		40	870	—	20
B132-150	1-1/2 × 2	—		20	330	—	16
B132-200	2 × 2	—		20	52	—	9
B132-250	2 × 3	—		10	52	—	10
B133-300	3 × 3	—		10	57	—	10
B134-400	4 × 4	—		10	29	—	10
B136-600	6 × 6	—		4	7	—	10
B138-800	8 × 8	—		4	3	—	10
B139-900	10 × 10	—		4	1.6	—	10

## Flow Range Chart

Part Number	Flow Ranges		
	gpm (lpm)	bpd	m <sup>3</sup> /d
B131-038	0.60...3.00 (2.27...11.36)	20...100	3.3...16
B131-050	0.75...7.50 (2.84...28.39)	25...250	4.1...41
B131-075	2.00...15.00 (7.57...56.78)	68...515	10.9...81.75
B131-088	3.00...30.00 (11.36...113.56)	100...1000	16...160
B131-100	5.00...50.00 (18.93...189.27)	170...1700	27.25...272.5
B132-050	0.75...7.50 (2.84...28.39)	25...250	4.1...41
B132-075	2.00...15.00 (7.57...56.78)	68...515	10.9...81.75
B132-088	3.00...30.00 (11.36...113.56)	100...1000	16...160
B132-100	5.00...50.00 (18.93...189.27)	170...1700	27.25...272.5
B132-150	15.00...180.00 (56.78...681.37)	515...6000	82...981
B132-200	40.00...400.00 (151.42...1514.16)	1300...13,000	218...2180
B132-250	40.00...400.00 (151.42...1514.16)	1300...13,000	218...2180
B133-300	60.00...600.00 (227.12...2271.25)	2100...21,000	327...3270
B134-400	100.00...1200.00 (378.54...4542.49)	3400...41,000	545...6540
B136-600	200.00...2500.00 (757.08...9463.53)	6800...86,000	1,090...13,626
B138-800	350.00...3500.00 (1324.89...13248.94)	12,000...120,000	1,363...19,076
B139-900	500.00...5000.00 (1892.71...18927.06)	17,000...171,000	2,725...27,252

## Strainer Recommendations

Part Number	Strainer Mesh	Clearance (in.)	Filter Size
B131-038	60	0.0092	260 Micron
B131-050	60	0.0092	260 Micron
B131-075	60	0.0092	260 Micron
B131-088	60	0.0092	260 Micron
B131-100	60	0.0092	260 Micron
B132-050	60	0.0092	260 Micron
B132-075	60	0.0092	260 Micron
B132-088	60	0.0092	260 Micron
B132-100	40	0.0150	400 Micron
B132-150	20	0.0340	0.86
B132-200	20	0.0650	0.86
B132-250	10	0.0900	1.6
B133-300	10	0.0900	1.6
B134-400	10	0.0650	1.6
B136-600	4	0.1875	4.8
B138-800	4	0.0900	4.8
B139-900	4	0.0900	4.8

## Repair Kit Information

Repair Kit Fits Meter Part Number	Repair Kit Part Number	Max. Pressure Drop	Dimensions Diameter x Length in. (mm)
B131-038	B253-102	3.75 psi	2 x 4 (50.4 x 101.6)
B131-050	B253-105	6.5 psi	2 x 4 (50.4 x 101.6)
B131-075	B253-108	18 psi	2 x 4 (50.4 x 101.6)
B131-088	B253-109	20 psi	2 x 4 (50.4 x 101.6)
B131-100	B253-112	20 psi	2 x 4 (50.4 x 101.6)
B132-050	B253-205	12 psi	3.62 x 2.5 (91.9 x 63.5)
B132-075	B253-208	18 psi	3.62 x 2.5 (91.9 x 63.5)
B132-088	B253-209	20 psi	3.62 x 2.5 (91.9 x 63.5)
B132-100	B253-212	20 psi	3.62 x 2.5 (91.9 x 63.5)
B132-150	B253-216	16 psi	3.62 x 2.5 (91.9 x 63.5)
B132-200	B253-220	9 psi	3.62 x 2.5 (91.9 x 63.5)
B132-250	B253-220	10 psi	3.62 in x 4.25 (91.9 x 108)
B133-300	B253-330	10 psi	5 x 4.25 (127 x 108)
B134-400	B253-440	10 psi	6.18 x 5 (157 x 127)
B136-600	B253-660	10 psi	8.5 x 5.75 (215.9 x 146.1)
B138-800	B253-880	10 psi	10.62 x 6.25 (269.7 x 158.8)
B139-900	B253-990	10 psi	12.75 x 6.75 (323.8 x 171.4)
All Meter Sizes	B111109	—	Standard Magnetic Pickup

## SPECIFICATIONS

<b>Materials of Construction</b>	<b>Body</b>	316 stainless steel
	<b>Rotor</b>	CD4MCU stainless steel
	<b>Bearings</b>	Tungsten carbide
	<b>Rotor Shaft</b>	Tungsten carbide
	<b>Rotor Support</b>	—
<b>Operating Temperature</b>	–150...350° F (–101...177° C) standard Temperatures to 450° F (232° C) with high-temp pickup, consult factory for details The standard meter should not be subjected to temperatures above 350° F (177° C), or below –150° F (–101° C) or the freezing point of the metered liquid.	
<b>Pressure Rating</b>	See <i>“Troubleshooting Guide” on page 8</i>	
<b>End Connections</b>	Wafer-Style ASME/ANSI B16.5-1996	
<b>Turndown Ratio</b>	—	
<b>Accuracy</b>	± 1.0% of reading	
<b>Repeatability</b>	± 0.1%	
<b>Calibration</b>	Water; NIST Traceable Calibration, Certificate available, consult factory for details	
<b>Pickup</b>	B111109, B220211, B220210, B220243, B111126	
<b>Certifications</b>	—	
<b>Pulsation and Vibration</b>	Severe pulsation and mechanical vibration will affect accuracy and shorten the life of the meter	

## Pressure Rating

The pressure rating of the meter is dependent upon the class of ANSI flanges between which the meter is to be mounted. The pressure rating chart below is based on Carbon Steel at 100° F (37.8° C).

Flange Class (ANSI)	150#	300#	600#	900#	1500#
<b>Working Pressure (psi)</b>	285	740	1480	2220	3705
<b>Working Pressure (MPa)</b>	1.97	5.10	10.20	15.31	25.55
<b>* Test Pressure (psi)</b>	427.5	1110	2220	3330	5557.5
<b>* Test Pressure (MPa)</b>	2.95	7.65	15.31	22.98	38.32

\* Test pressure based on 1.5 safety factor

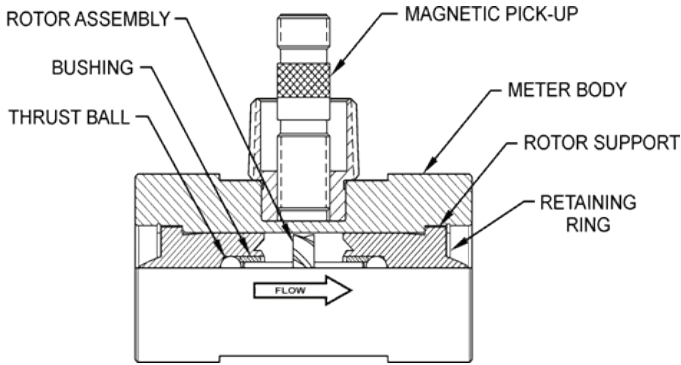


Figure 4: Typical cross-section of models B131-038...B131-100

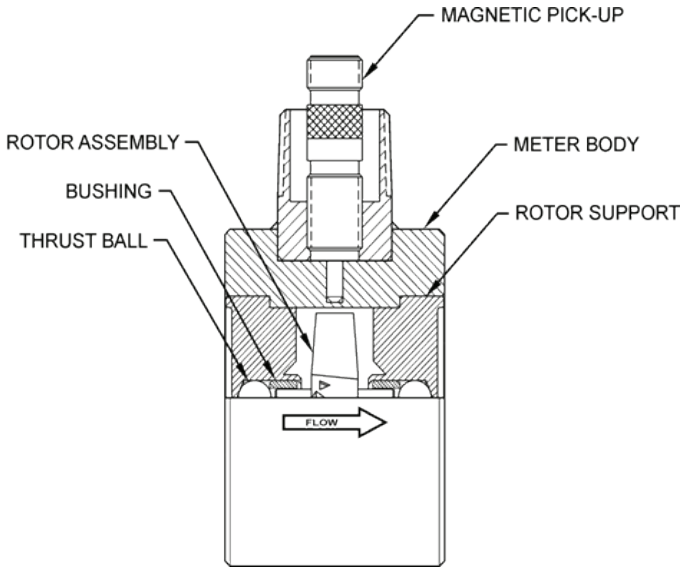


Figure 5: Typical cross-section of models B132-050...B139-900

### Control. Manage. Optimize.

BLANCETT and QuikSert are registered trademarks of Badger Meter, Inc. Other trademarks appearing in this document are the property of their respective entities. Due to continuous research, product improvements and enhancements, Badger Meter reserves the right to change product or system specifications without notice, except to the extent an outstanding contractual obligation exists. © 2018 Badger Meter, Inc. All rights reserved.

[www.badgermeter.com](http://www.badgermeter.com)

The Americas | Badger Meter | 4545 West Brown Deer Rd | PO Box 245036 | Milwaukee, WI 53224-9536 | 800-876-3837 | 414-355-0400  
México | Badger Meter de las Americas, S.A. de C.V. | Pedro Luis Ogazón N°32 | Esq. Angelina N°24 | Colonia Guadalupe Inn | CP 01050 | México, DF | México | +52-55-5662-0882  
Europe, Eastern Europe Branch Office (for Poland, Latvia, Lithuania, Estonia, Ukraine, Belarus) | Badger Meter Europe | ul. Korfantego 6 | 44-193 Knurow | Poland | +48-32-236-8787  
Europe, Middle East and Africa | Badger Meter Europa GmbH | Nürtinger Str 76 | 72639 Neuffen | Germany | +49-7025-9208-0  
Europe, Middle East Branch Office | Badger Meter Europe | PO Box 341442 | Dubai Silicon Oasis, Head Quarter Building, Wing C, Office #C209 | Dubai | UAE | +971-4-371-2503  
Slovakia | Badger Meter Slovakia s.r.o. | Račianska 109/18 | 831 02 Bratislava, Slovakia | +421-2-44 63 83 01  
Asia Pacific | Badger Meter | 80 Marine Parade Rd | 21-06 Parkway Parade | Singapore 449269 | +65-63464836  
Switzerland | Badger Meter Swiss AG | Mittelholzerstrasse 8 | 3006 Bern | Switzerland | +41-31-932 01 11