

a3004 FC Wireless DC Clamp

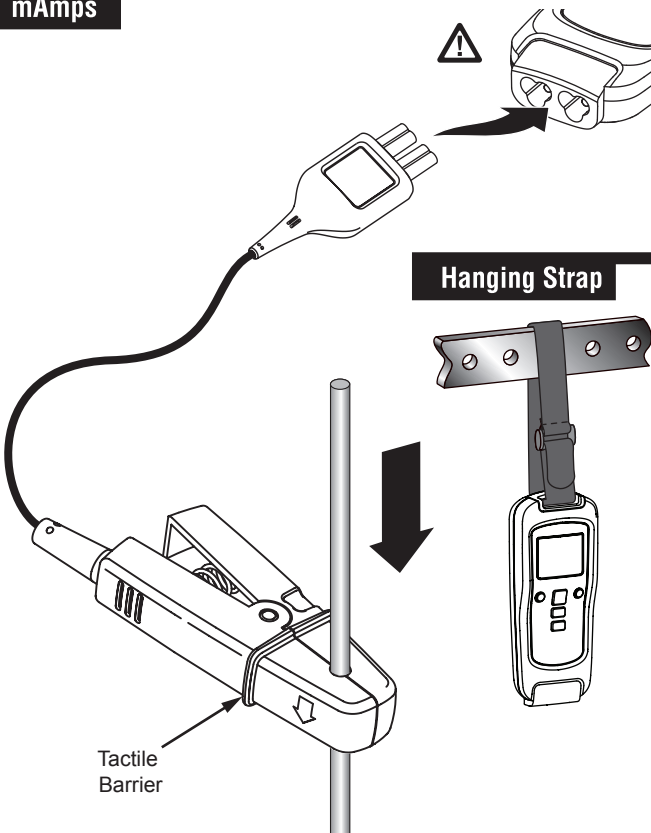
Quick Reference Guide

⚠️ Warning

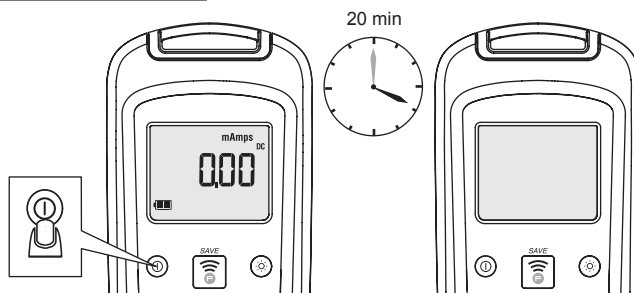
To prevent possible electrical shock, fire, or personal injury, read the "a3004 FC Safety Sheet" before you use this Product.

Go to www.fluke.com to register your product and find more information.

mAmps

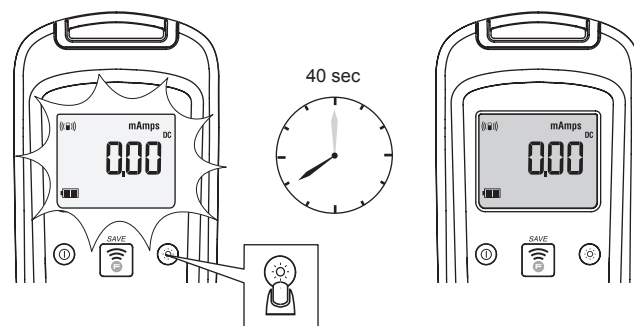


Ⓜ On / Off



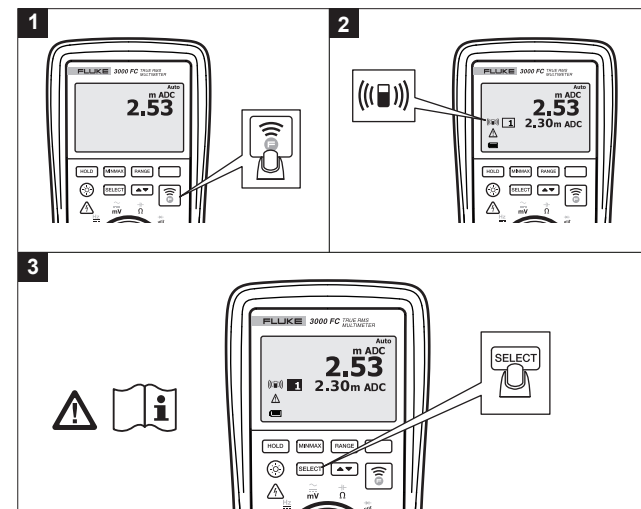
1 OFF	2 LOG + 1 2	3 LOG x2
4 PoFF	5 [Light Icon]	6 mAmps DC 2.30 ∞

[Light Icon] Backlight

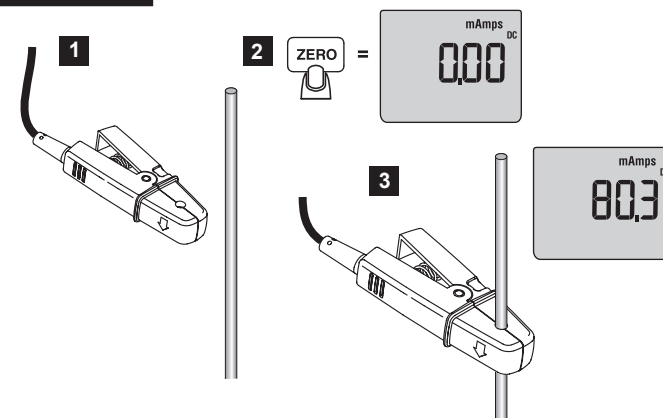


1 OFF	2 LOG + 1 2	3 LOG x3	4 LoFF
5 [Light Icon]	6 mAmps DC 288	7 [Light Icon]	8 mAmps DC 288 ∞

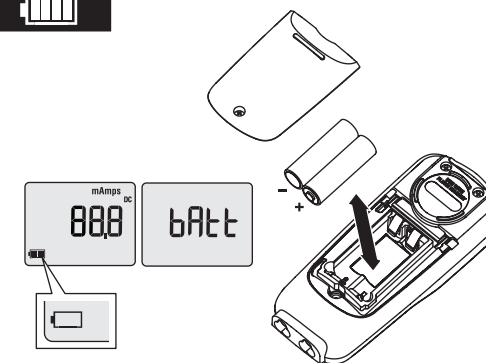
DMM (3000 FC Optional)



ZERO

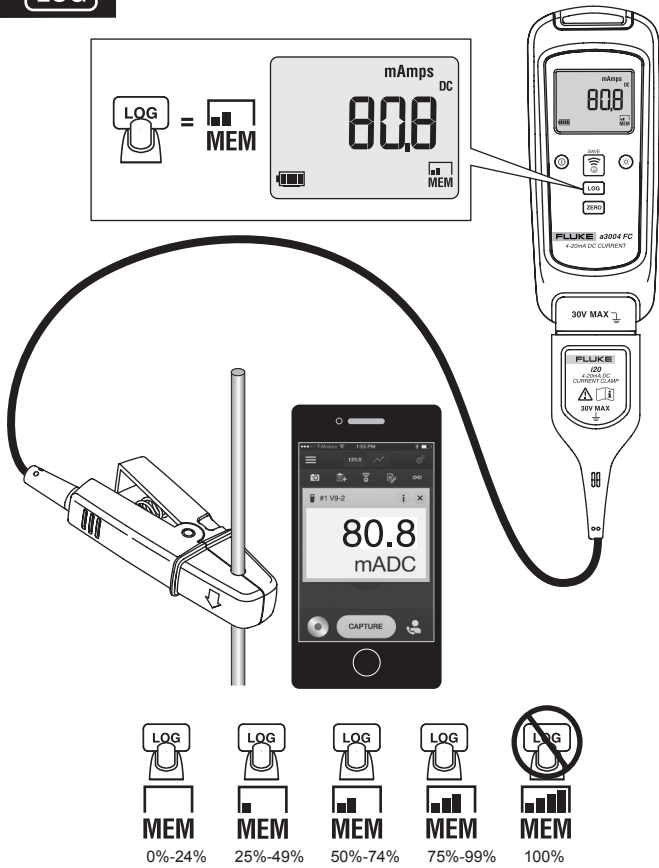


[Battery Icon]



LOG

iOS/Android



Fluke Connect™ Bluetooth® Connection to FC Tools

