

PT500E



Pressure transmitter

PT-400-SEG14-A-ZVG/US



1 sealing



Product characteristics

Number of inputs and outputs	Number of analog outputs: 1		
Measuring range	0...400 bar	0...5800 psi	0...40 MPa
Process connection	threaded connection G 1/4 external thread (DIN EN ISO 1179-2)		

Application

Application	for mobile applications		
Media	liquids and gases		
Medium temperature [°C]	-40...125		
Min. burst pressure	1700 bar	24655 psi	170 MPa
Pressure rating	1000 bar	14500 psi	100 MPa
Note on pressure rating	static		
Vacuum resistance	-1000 mbar	-0.1 MPa	
Type of pressure	relative pressure		

Electrical data

Operating voltage [V]	8...32 DC		
Min. insulation resistance [MΩ]	100; (500 V DC)		
Protection class	III		
Reverse polarity protection	yes		
Power-on delay time [s]	< 0.1		

Inputs / outputs

Number of inputs and outputs	Number of analog outputs: 1		
------------------------------	-----------------------------	--	--

Outputs

Total number of outputs	1		
Output signal	analog signal		
Number of analog outputs	1		
Analog current output [mA]	4...20		
Max. load [Ω]	(U _b - 8 V) / 21,5 mA; @8V = 0 Ω; @12V max. 200 Ω; @24V max. 750 Ω		
Short-circuit proof	yes		

PT500E



Pressure transmitter

PT-400-SEG14-A-ZVG/US

Overload protection	yes		
Measuring/setting range			
Measuring range	0...400 bar	0...5800 psi	0...40 MPa
Accuracy / deviations			
Repeatability [% of the span]	< ± 0,05; (with temperature fluctuations < 10 K)		
Characteristics deviation [% of the span]	< ± 0,8; (incl. drift when overtightened, zero point and span error, non-linearity, hysteresis)		
Linearity deviation [% of the span]	< ± 0,25 (BFSL) / < ± 0,5 (LS)		
Hysteresis deviation [% of the span]	< ± 0,2		
Long-term stability [% of the span]	< ± 0,1; (per 6 months)		
Temperature coefficient zero point [% of the span / 10 K]	< ± 0,1 (0...80 °C); < ± 0,2 (-40...0 °C / 80...125 °C)		
Temperature coefficient span [% of the span / 10 K]	< ± 0,1 (0...80 °C); < ± 0,2 (-40...0 °C / 80...125 °C)		
Reaction times			
Step response time analog output [ms]	2		
Operating conditions			
Ambient temperature [°C]	-40...100		
Storage temperature [°C]	-40...100		
Protection	IP 67; IP 69K		
Tests / approvals			
EMC	noise immunity according to UN ECE R10, rev. 6		
	ISO 11452-2	100 V/m	
	DIN EN 61326-1		
Shock resistance	DIN EN 60068-2-27	500 g (1 ms)	
Vibration resistance	DIN EN 60068-2-6	20 g (10...2000 Hz)	
MTTF [years]	711		
Pressure equipment directive	sound engineering practice; can be used for group 2 fluids; group 1 fluids on request		
Mechanical data			
Weight [g]	59.2		
Housing	tubular		
Dimensions [mm]	Ø 19 / L = 66		
Material	stainless steel (630/1.4542/17-4 PH); stainless steel (1.4404 / 316L); PEI		
Materials (wetted parts)	stainless steel (630/1.4542/17-4 PH)		
Min. pressure cycles	60 million; (at 1.2 times nominal pressure)		
Tightening torque [Nm]	25...35; (recommended tightening torque; Depends on lubrication, seal and pressure rating)		
Process connection	threaded connection G 1/4 external thread (DIN EN ISO 1179-2)		
Process connection sealing	HNBR (DIN EN ISO 1179-2)		
Restrictor element integrated	yes		

PT500E



Pressure transmitter

PT-400-SEG14-A-ZVG/US

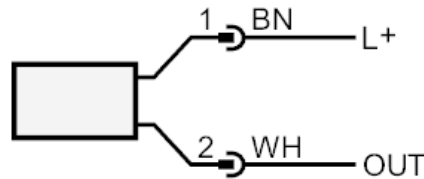
Remarks	
Remarks	BFSL = Best Fit Straight Line LS = limit value setting
Pack quantity	1 pcs.

Electrical connection

Connector: 1 x M12; coding: A



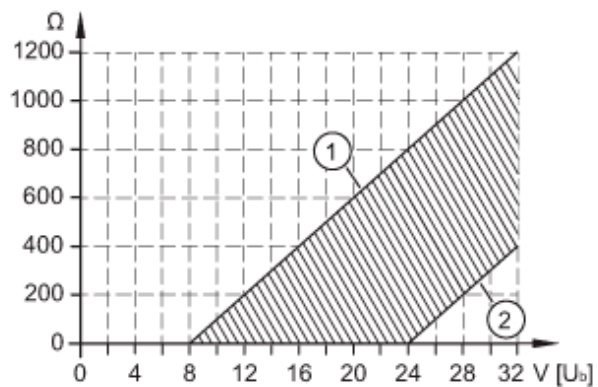
Connection



OUT analog output
 Colors to DIN EN 60947-5-2
 Core colors :
BN = brown
WH = white

Diagrams and graphs

Characteristic load curve current output



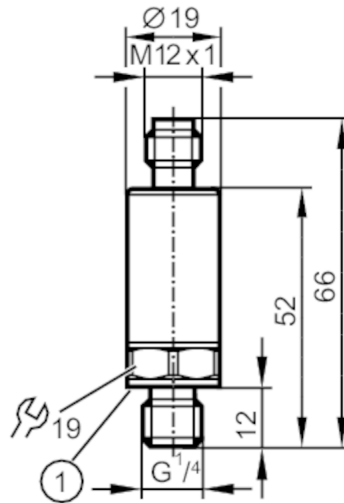
1: Max. load
2: Min. load

PT501E



Pressure transmitter

PT-250-SEG14-A-ZVG/US



1 sealing



Product characteristics

Number of inputs and outputs	Number of analog outputs: 1		
Measuring range	0...250 bar	0...3625 psi	0...25 MPa
Process connection	threaded connection G 1/4 external thread (DIN EN ISO 1179-2)		

Application

Application	for mobile applications		
Media	liquids and gases		
Medium temperature [°C]	-40...125		
Min. burst pressure	1200 bar	17400 psi	120 MPa
Pressure rating	625 bar	9060 psi	62.5 MPa
Note on pressure rating	static		
Vacuum resistance	-1000 mbar	-0.1 MPa	
Type of pressure	relative pressure		

Electrical data

Operating voltage [V]	8...32 DC		
Min. insulation resistance [MΩ]	100; (500 V DC)		
Protection class	III		
Reverse polarity protection	yes		
Power-on delay time [s]	< 0.1		

Inputs / outputs

Number of inputs and outputs	Number of analog outputs: 1		
------------------------------	-----------------------------	--	--

Outputs

Total number of outputs	1		
Output signal	analog signal		
Number of analog outputs	1		
Analog current output [mA]	4...20		
Max. load [Ω]	(U _b - 8 V) / 21,5 mA; @8V = 0 Ω; @12V max. 200 Ω; @24V max. 750 Ω		
Short-circuit proof	yes		

PT501E



Pressure transmitter

PT-250-SEG14-A-ZVG/US

Overload protection	yes		
Measuring/setting range			
Measuring range	0...250 bar	0...3625 psi	0...25 MPa
Accuracy / deviations			
Repeatability [% of the span]	< ± 0,05; (with temperature fluctuations < 10 K)		
Characteristics deviation [% of the span]	< ± 0,8; (incl. drift when overtightened, zero point and span error, non-linearity, hysteresis)		
Linearity deviation [% of the span]	< ± 0,25 (BFSL) / < ± 0,5 (LS)		
Hysteresis deviation [% of the span]	< ± 0,2		
Long-term stability [% of the span]	< ± 0,1; (per 6 months)		
Temperature coefficient zero point [% of the span / 10 K]	< ± 0,1 (0...80 °C); < ± 0,2 (-40...0 °C / 80...125 °C)		
Temperature coefficient span [% of the span / 10 K]	< ± 0,1 (0...80 °C); < ± 0,2 (-40...0 °C / 80...125 °C)		
Reaction times			
Step response time analog output [ms]	2		
Operating conditions			
Ambient temperature [°C]	-40...100		
Storage temperature [°C]	-40...100		
Protection	IP 67; IP 69K		
Tests / approvals			
EMC	noise immunity according to UN ECE R10, rev. 6		
	ISO 11452-2	100 V/m	
	DIN EN 61326-1		
Shock resistance	DIN EN 60068-2-27	500 g (1 ms)	
Vibration resistance	DIN EN 60068-2-6	20 g (10...2000 Hz)	
MTTF [years]	711		
Pressure equipment directive	sound engineering practice; can be used for group 2 fluids; group 1 fluids on request		
Mechanical data			
Weight [g]	59.2		
Housing	tubular		
Dimensions [mm]	Ø 19 / L = 66		
Material	stainless steel (630/1.4542/17-4 PH); stainless steel (1.4404 / 316L); PEI		
Materials (wetted parts)	stainless steel (630/1.4542/17-4 PH)		
Min. pressure cycles	60 million; (at 1.2 times nominal pressure)		
Tightening torque [Nm]	25...35; (recommended tightening torque; Depends on lubrication, seal and pressure rating)		
Process connection	threaded connection G 1/4 external thread (DIN EN ISO 1179-2)		
Process connection sealing	HNBR (DIN EN ISO 1179-2)		
Restrictor element integrated	yes		

PT501E



Pressure transmitter

PT-250-SEG14-A-ZVG/US

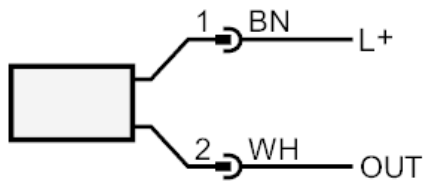
Remarks	
Remarks	BFSL = Best Fit Straight Line LS = limit value setting
Pack quantity	1 pcs.

Electrical connection

Connector: 1 x M12; coding: A; Maximum cable length: 30 m



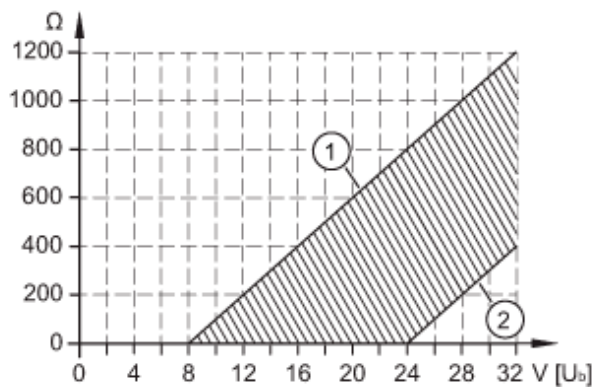
Connection



OUT analog output
 Colors to DIN EN 60947-5-2
 Core colors :
 BN = brown
 WH = white

Diagrams and graphs

Characteristic load curve current output



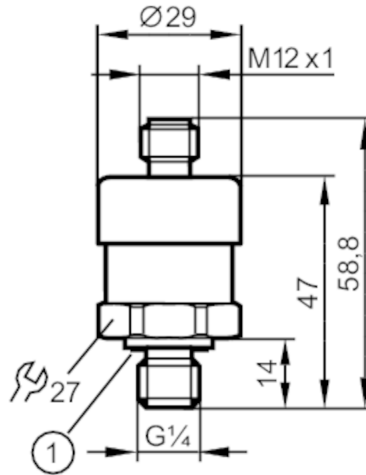
1: Max. load
 2: Min. load

PT0504



Pressure transmitter

PT-010-AFG14-A-ZVG/US



1 sealing



Product characteristics

Number of inputs and outputs	Number of analog outputs: 1			
Measuring range	0...10 bar	0...145 psi	0...1000 kPa	0...1 MPa
Process connection	threaded connection G 1/4 external thread (DIN EN ISO 1179-2)			

Application

Application	for industrial applications			
Media	liquids and gases			
Medium temperature [°C]	0...80			
Min. burst pressure	50 bar	725 psi	5000 kPa	5 MPa
Pressure rating	20 bar	290 psi	2000 kPa	2 MPa
Type of pressure	Absolute pressure			

Electrical data

Operating voltage [V]	8...30 DC			
Min. insulation resistance [MΩ]	100; (500 V DC)			
Protection class	III			
Reverse polarity protection	yes			

Inputs / outputs

Number of inputs and outputs	Number of analog outputs: 1			
------------------------------	-----------------------------	--	--	--

Outputs

Total number of outputs	1			
Output signal	analog signal			
Number of analog outputs	1			
Analog current output [mA]	4...20			
Max. load [Ω]	800; (U _b = 24 V; (U _b - 8 V) / 20 mA)			
Short-circuit proof	yes			

Measuring/setting range

Measuring range	0...10 bar	0...145 psi	0...1000 kPa	0...1 MPa
-----------------	------------	-------------	--------------	-----------

PT0504



Pressure transmitter

PT-010-AFG14-A-ZVG/US

Accuracy / deviations		
Repeatability	[% of the span]	< ± 0,05; (with temperature fluctuations < 10 K)
Characteristics deviation	[% of the span]	< ± 1,0; (incl. zero point and span error, non-linearity, hysteresis)
Linearity deviation	[% of the span]	< ± 0,5 (BFSL) / < ± 1,0 (LS)
Long-term stability	[% of the span]	< ± 0,1; (per year)
Temperature coefficient zero point	[% of the span / 10 K]	< ± 0,2; (0...80 °C)
Temperature coefficient span	[% of the span / 10 K]	< ± 0,2; (0...80 °C)
Reaction times		
Step response time analog output	[ms]	4
Operating conditions		
Ambient temperature	[°C]	0...80
Storage temperature	[°C]	-20...80
Protection		IP 67
Tests / approvals		
EMC		DIN EN 61326-1
Shock resistance		DIN EN 60068-2-27 500 g (1 ms)
Vibration resistance		DIN EN 60068-2-6 10 g (10...2000 Hz)
MTTF	[years]	815
Pressure equipment directive		sound engineering practice; can be used for group 2 fluids; group 1 fluids on request
Mechanical data		
Weight	[g]	118.35
Housing		tubular
Dimensions	[mm]	Ø 29 / L = 58.8
Material		stainless steel (1.4404 / 316L); HNBR; PA
Materials (wetted parts)		stainless steel (1.4404 / 316L)
Min. pressure cycles		10 million
Tightening torque	[Nm]	25...35; (recommended tightening torque; Depends on lubrication, seal and pressure rating)
Process connection		threaded connection G 1/4 external thread (DIN EN ISO 1179-2)
Process connection sealing		NBR (DIN EN ISO 1179-2)
Fill fluid for pressure transfer		synthetic oil
Restrictor element integrated		no
Remarks		
Remarks		BFSL = Best Fit Straight Line LS = limit value setting
Pack quantity		1 pcs.

PT0504



Pressure transmitter

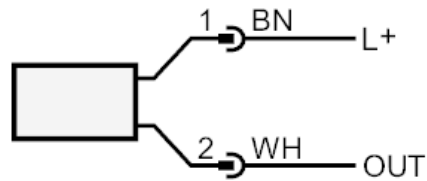
PT-010-AFG14-A-ZVG/US

Electrical connection

Connector: 1 x M12; coding: A



Connection



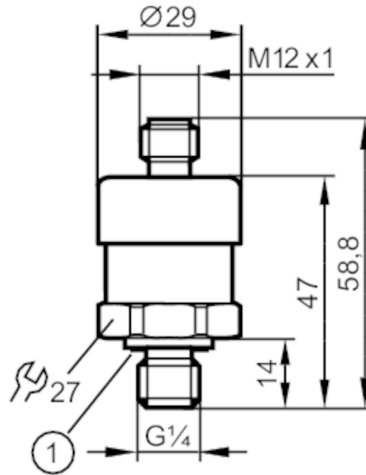
OUT analog output
 Colors to DIN EN 60947-5-2
 Core colors :
BN = brown
WH = white

PT0505



Pressure transmitter

PT-004-AFG14-A-ZVG/US



1 sealing



Product characteristics

Number of inputs and outputs	Number of analog outputs: 1		
Measuring range	0...4 bar	0...58 psi	0...400 kPa
Process connection	threaded connection G 1/4 external thread (DIN EN ISO 1179-2)		

Application

Application	for industrial applications		
Media	liquids and gases		
Medium temperature [°C]	0...80		
Min. burst pressure	25 bar	360 psi	2500 kPa
Pressure rating	8 bar	116 psi	800 kPa
Type of pressure	Absolute pressure		

Electrical data

Operating voltage [V]	8...30 DC		
Min. insulation resistance [MΩ]	100; (500 V DC)		
Protection class	III		
Reverse polarity protection	yes		

Inputs / outputs

Number of inputs and outputs	Number of analog outputs: 1		
------------------------------	-----------------------------	--	--

Outputs

Total number of outputs	1		
Output signal	analog signal		
Number of analog outputs	1		
Analog current output [mA]	4...20		
Max. load [Ω]	800; (U _b = 24 V; (U _b - 8 V) / 20 mA)		
Short-circuit proof	yes		

Measuring/setting range

Measuring range	0...4 bar	0...58 psi	0...400 kPa
-----------------	-----------	------------	-------------

PT0505



Pressure transmitter

PT-004-AFG14-A-ZVG/US

Accuracy / deviations		
Repeatability	[% of the span]	< ± 0,1; (with temperature fluctuations < 10 K)
Characteristics deviation	[% of the span]	< ± 1,0; (incl. zero point and span error, non-linearity, hysteresis)
Linearity deviation	[% of the span]	< ± 0,5 (BFSL) / < ± 1,0 (LS)
Long-term stability	[% of the span]	< ± 0,1; (per year)
Temperature coefficient zero point	[% of the span / 10 K]	< ± 0,2; (0...80 °C)
Temperature coefficient span	[% of the span / 10 K]	< ± 0,2; (0...80 °C)
Reaction times		
Step response time analog output	[ms]	4
Operating conditions		
Ambient temperature	[°C]	0...80
Storage temperature	[°C]	-20...80
Protection		IP 67
Tests / approvals		
EMC		DIN EN 61326-1
Shock resistance		DIN EN 60068-2-27 500 g (1 ms)
Vibration resistance		DIN EN 60068-2-6 10 g (10...2000 Hz)
MTTF	[years]	815
Pressure equipment directive		sound engineering practice; can be used for group 2 fluids; group 1 fluids on request
Mechanical data		
Weight	[g]	118.65
Housing		tubular
Dimensions	[mm]	Ø 29 / L = 58.8
Material		stainless steel (1.4404 / 316L); HNBR; PA
Materials (wetted parts)		stainless steel (1.4404 / 316L)
Min. pressure cycles		10 million
Tightening torque	[Nm]	25...35; (recommended tightening torque; Depends on lubrication, seal and pressure rating)
Process connection		threaded connection G 1/4 external thread (DIN EN ISO 1179-2)
Process connection sealing		NBR (DIN EN ISO 1179-2)
Fill fluid for pressure transfer		synthetic oil
Restrictor element integrated		no
Remarks		
Remarks		BFSL = Best Fit Straight Line LS = limit value setting
Pack quantity		1 pcs.

PT0505



Pressure transmitter

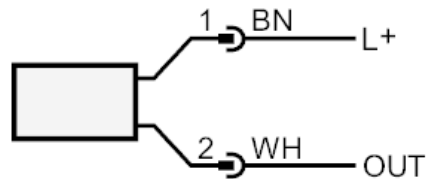
PT-004-AFG14-A-ZVG/US

Electrical connection

Connector: 1 x M12; coding: A



Connection



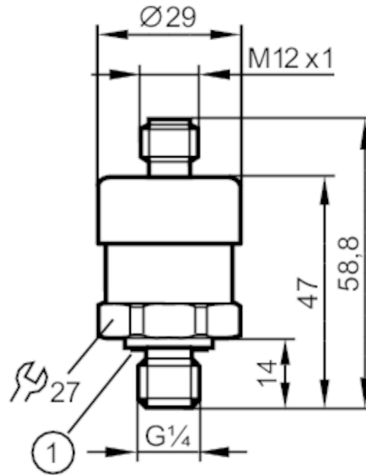
OUT analog output
 Colors to DIN EN 60947-5-2
 Core colors :
BN = brown
WH = white

PT0507



Pressure transmitter

PT-001-AFG14-A-ZVG/US



1 sealing



Product characteristics

Number of inputs and outputs	Number of analog outputs: 1			
Measuring range	0...1 bar	0...1000 mbar	0...14.5 psi	0...100 kPa
Process connection	threaded connection G 1/4 external thread (DIN EN ISO 1179-2)			

Application

Application	for industrial applications			
Media	liquids and gases			
Medium temperature [°C]	0...80			
Min. burst pressure	5 bar	72 psi	500 kPa	
Pressure rating	2 bar	29 psi	200 kPa	
Type of pressure	Absolute pressure			

Electrical data

Operating voltage [V]	8...30 DC			
Min. insulation resistance [MΩ]	100; (500 V DC)			
Protection class	III			
Reverse polarity protection	yes			

Inputs / outputs

Number of inputs and outputs	Number of analog outputs: 1			
------------------------------	-----------------------------	--	--	--

Outputs

Total number of outputs	1			
Output signal	analog signal			
Number of analog outputs	1			
Analog current output [mA]	4...20			
Max. load [Ω]	800; (U _b = 24 V; (U _b - 8 V) / 20 mA)			
Short-circuit proof	yes			

Measuring/setting range

Measuring range	0...1 bar	0...1000 mbar	0...14.5 psi	0...100 kPa
-----------------	-----------	---------------	--------------	-------------

PT0507



Pressure transmitter

PT-001-AFG14-A-ZVG/US

Accuracy / deviations		
Repeatability	[% of the span]	$< \pm 0,1$; (with temperature fluctuations < 10 K)
Characteristics deviation	[% of the span]	$< \pm 1,0$; (incl. zero point and span error, non-linearity, hysteresis)
Linearity deviation	[% of the span]	$< \pm 0,5$ (BFSL) / $< \pm 1,0$ (LS)
Long-term stability	[% of the span]	$< \pm 0,1$; (per year)
Temperature coefficient zero point	[% of the span / 10 K]	$< \pm 0,2$; (0...80 °C)
Temperature coefficient span	[% of the span / 10 K]	$< \pm 0,2$; (0...80 °C)
Reaction times		
Step response time analog output	[ms]	4
Operating conditions		
Ambient temperature	[°C]	0...80
Storage temperature	[°C]	-20...80
Protection		IP 67
Tests / approvals		
EMC	DIN EN 61326-1	
Shock resistance	DIN EN 60068-2-27	500 g (1 ms)
Vibration resistance	DIN EN 60068-2-6	10 g (10...2000 Hz)
MTTF	[years]	815
Pressure equipment directive		sound engineering practice; can be used for group 2 fluids; group 1 fluids on request
Mechanical data		
Weight	[g]	116.5
Housing		tubular
Dimensions	[mm]	$\varnothing 29$ / L = 58.8
Material		stainless steel (1.4404 / 316L); HNBR; PA
Materials (wetted parts)		stainless steel (1.4404 / 316L)
Min. pressure cycles		10 million
Tightening torque	[Nm]	25...35; (recommended tightening torque; Depends on lubrication, seal and pressure rating)
Process connection		threaded connection G 1/4 external thread (DIN EN ISO 1179-2)
Process connection sealing		NBR (DIN EN ISO 1179-2)
Fill fluid for pressure transfer		synthetic oil
Restrictor element integrated		no
Remarks		
Remarks		BFSL = Best Fit Straight Line LS = limit value setting
Pack quantity		1 pcs.

PT0507



Pressure transmitter

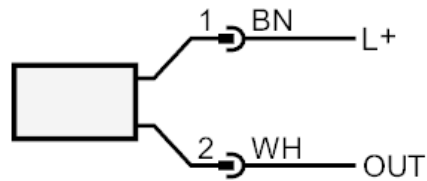
PT-001-AFG14-A-ZVG/US

Electrical connection

Connector: 1 x M12; coding: A



Connection



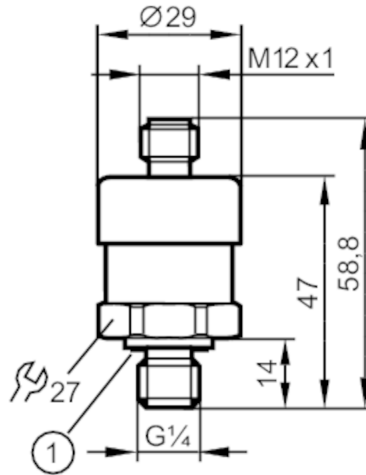
OUT analog output
 Colors to DIN EN 60947-5-2
 Core colors :
BN = brown
WH = white

PT0517



Pressure transmitter

PT-1,6-AFG14-A-ZVG/US



1 sealing



Product characteristics

Number of inputs and outputs	Number of analog outputs: 1			
Measuring range	0...1.6 bar	0...1600 mbar	0...23.2 psi	0...160 kPa
Process connection	threaded connection G 1/4 external thread (DIN EN ISO 1179-2)			

Application

Application	for industrial applications		
Media	liquids and gases		
Medium temperature [°C]	0...80		
Min. burst pressure	10 bar	145 psi	1000 kPa
Pressure rating	3.2 bar	46 psi	320 kPa
Type of pressure	Absolute pressure		

Electrical data

Operating voltage [V]	8...30 DC		
Min. insulation resistance [MΩ]	100; (500 V DC)		
Protection class	III		
Reverse polarity protection	yes		

Inputs / outputs

Number of inputs and outputs	Number of analog outputs: 1		
------------------------------	-----------------------------	--	--

Outputs

Total number of outputs	1		
Output signal	analog signal		
Number of analog outputs	1		
Analog current output [mA]	4...20		
Max. load [Ω]	800; (U _b = 24 V; (U _b - 8 V) / 20 mA)		
Short-circuit proof	yes		

Measuring/setting range

Measuring range	0...1.6 bar	0...1600 mbar	0...23.2 psi	0...160 kPa
-----------------	-------------	---------------	--------------	-------------

PT0517



Pressure transmitter

PT-1,6-AFG14-A-ZVG/US

Accuracy / deviations		
Repeatability	[% of the span]	< ± 0,1; (with temperature fluctuations < 10 K)
Characteristics deviation	[% of the span]	< ± 1,0; (incl. zero point and span error, non-linearity, hysteresis)
Linearity deviation	[% of the span]	< ± 0,5 (BFSL) / < ± 1,0 (LS)
Long-term stability	[% of the span]	< ± 0,1; (per year)
Temperature coefficient zero point	[% of the span / 10 K]	< ± 0,2; (0...80 °C)
Temperature coefficient span	[% of the span / 10 K]	< ± 0,2; (0...80 °C)
Reaction times		
Step response time analog output	[ms]	4
Operating conditions		
Ambient temperature	[°C]	0...80
Storage temperature	[°C]	-20...80
Protection		IP 67
Tests / approvals		
EMC		DIN EN 61326-1
Shock resistance		DIN EN 60068-2-27 500 g (1 ms)
Vibration resistance		DIN EN 60068-2-6 10 g (10...2000 Hz)
MTTF	[years]	815
Pressure equipment directive		sound engineering practice; can be used for group 2 fluids; group 1 fluids on request
Mechanical data		
Weight	[g]	118
Housing		tubular
Dimensions	[mm]	Ø 29 / L = 58.8
Material		stainless steel (1.4404 / 316L); HNBR; PA
Materials (wetted parts)		stainless steel (1.4404 / 316L)
Min. pressure cycles		10 million
Tightening torque	[Nm]	25...35; (recommended tightening torque; Depends on lubrication, seal and pressure rating)
Process connection		threaded connection G 1/4 external thread (DIN EN ISO 1179-2)
Process connection sealing		NBR (DIN EN ISO 1179-2)
Fill fluid for pressure transfer		synthetic oil
Restrictor element integrated		no
Remarks		
Remarks		BFSL = Best Fit Straight Line LS = limit value setting
Pack quantity		1 pcs.

PT0517



Pressure transmitter

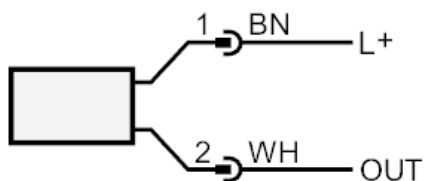
PT-1,6-AFG14-A-ZVG/US

Electrical connection

Connector: 1 x M12; coding: A



Connection



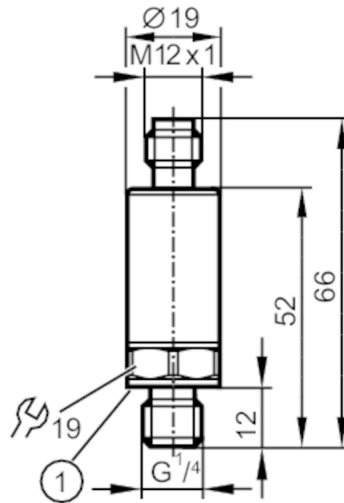
OUT analog output
 Colors to DIN EN 60947-5-2
 Core colors :
BN = brown
WH = white

PT560E



Pressure transmitter

PT-600-SEG14-A-ZVG/US



1 sealing



Product characteristics

Number of inputs and outputs	Number of analog outputs: 1		
Measuring range	0...600 bar	0...8700 psi	0...60 MPa
Process connection	threaded connection G 1/4 external thread (DIN EN ISO 1179-2)		

Application

Application	for mobile applications		
Media	liquids and gases		
Medium temperature [°C]	-40...125		
Min. burst pressure	2500 bar	36255 psi	250 MPa
Pressure rating	1500 bar	21755 psi	150 MPa
Note on pressure rating	static		
Vacuum resistance	-1000 mbar	-0.1 MPa	
Type of pressure	relative pressure		

Electrical data

Operating voltage [V]	8...32 DC		
Min. insulation resistance [MΩ]	100; (500 V DC)		
Protection class	III		
Reverse polarity protection	yes		
Power-on delay time [s]	< 0.1		

Inputs / outputs

Number of inputs and outputs	Number of analog outputs: 1		
------------------------------	-----------------------------	--	--

Outputs

Total number of outputs	1		
Output signal	analog signal		
Number of analog outputs	1		
Analog current output [mA]	4...20		
Max. load [Ω]	(U _b - 8 V) / 21,5 mA; @8V = 0 Ω; @12V max. 200 Ω; @24V max. 750 Ω		
Short-circuit proof	yes		

PT560E



Pressure transmitter

PT-600-SEG14-A-ZVG/US

Overload protection	yes		
Measuring/setting range			
Measuring range	0...600 bar	0...8700 psi	0...60 MPa
Accuracy / deviations			
Repeatability [% of the span]	< ± 0,05; (with temperature fluctuations < 10 K)		
Characteristics deviation [% of the span]	< ± 0,8; (incl. drift when overtightened, zero point and span error, non-linearity, hysteresis)		
Linearity deviation [% of the span]	< ± 0,25 (BFSL) / < ± 0,5 (LS)		
Hysteresis deviation [% of the span]	< ± 0,2		
Long-term stability [% of the span]	< ± 0,1; (per 6 months)		
Temperature coefficient zero point [% of the span / 10 K]	< ± 0,1 (0...80 °C); < ± 0,2 (-40...0 °C / 80...125 °C)		
Temperature coefficient span [% of the span / 10 K]	< ± 0,1 (0...80 °C); < ± 0,2 (-40...0 °C / 80...125 °C)		
Reaction times			
Step response time analog output [ms]	2		
Operating conditions			
Ambient temperature [°C]	-40...100		
Storage temperature [°C]	-40...100		
Protection	IP 67; IP 69K		
Tests / approvals			
EMC	noise immunity according to UN ECE R10, rev. 6		
	ISO 11452-2	100 V/m	
	DIN EN 61326-1		
Shock resistance	DIN EN 60068-2-27	500 g (1 ms)	
Vibration resistance	DIN EN 60068-2-6	20 g (10...2000 Hz)	
MTTF [years]	711		
Pressure equipment directive	Modul A; can be used for group 2 fluids; group 1 fluids on request		
Mechanical data			
Weight [g]	59.3		
Housing	tubular		
Dimensions [mm]	Ø 19 / L = 66		
Material	stainless steel (630/1.4542/17-4 PH); stainless steel (1.4404 / 316L); PEI		
Materials (wetted parts)	stainless steel (630/1.4542/17-4 PH)		
Min. pressure cycles	60 million; (at 1.2 times nominal pressure)		
Tightening torque [Nm]	30...50; (recommended tightening torque; Depends on lubrication, seal and pressure rating)		
Process connection	threaded connection G 1/4 external thread (DIN EN ISO 1179-2)		
Process connection sealing	HNBR (DIN EN ISO 1179-2)		
Restrictor element integrated	yes		

PT560E



Pressure transmitter

PT-600-SEG14-A-ZVG/US

Remarks

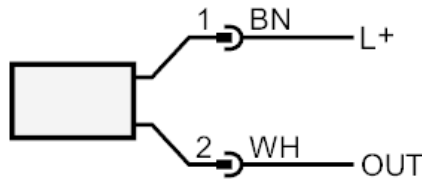
Remarks	BFSL = Best Fit Straight Line LS = limit value setting
Pack quantity	1 pcs.

Electrical connection

Connector: 1 x M12; coding: A



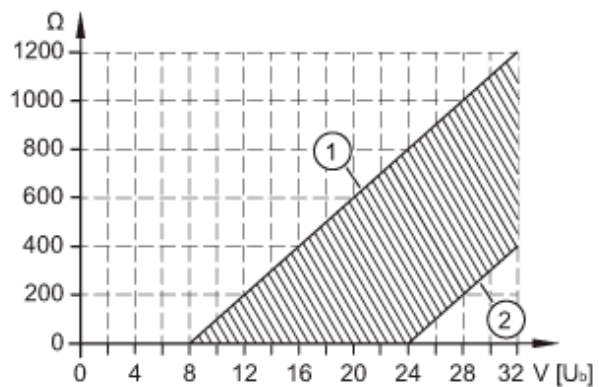
Connection



OUT analog output
 Colors to DIN EN 60947-5-2
 Core colors :
BN = brown
WH = white

Diagrams and graphs

Characteristic load curve current output



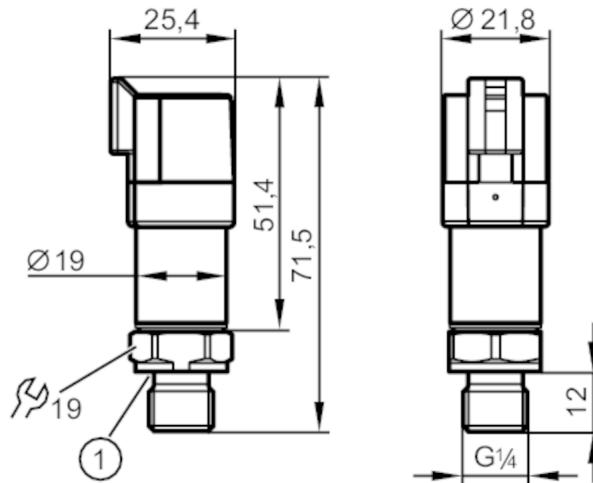
1: Max. load
2: Min. load

PT700E



Pressure transmitter

PT-400-SEG14-A-ZVG/DE



1 sealing



Product characteristics

Number of inputs and outputs	Number of analog outputs: 1		
Measuring range	0...400 bar	0...5800 psi	0...40 MPa
Process connection	threaded connection G 1/4 external thread (DIN EN ISO 1179-2)		

Application

Application	for mobile applications		
Media	liquids and gases		
Medium temperature [°C]	-40...125		
Min. burst pressure	1700 bar	24655 psi	170 MPa
Pressure rating	1000 bar	14500 psi	100 MPa
Note on pressure rating	static		
Vacuum resistance	-1000 mbar	-0.1 MPa	
Type of pressure	relative pressure		

Electrical data

Operating voltage [V]	8...32 DC		
Min. insulation resistance [MΩ]	100; (500 V DC)		
Protection class	III		
Reverse polarity protection	yes		
Power-on delay time [s]	< 0.1		

Inputs / outputs

Number of inputs and outputs	Number of analog outputs: 1		
------------------------------	-----------------------------	--	--

Outputs

Total number of outputs	1		
Output signal	analog signal		
Number of analog outputs	1		
Analog current output [mA]	4...20		
Max. load [Ω]	(U _b - 8 V) / 21,5 mA; @8V = 0 Ω; @12V max. 200 Ω; @24V max. 750 Ω		
Short-circuit proof	yes		

PT700E



Pressure transmitter

PT-400-SEG14-A-ZVG/DE

Overload protection	yes		
Measuring/setting range			
Measuring range	0...400 bar	0...5800 psi	0...40 MPa
Accuracy / deviations			
Repeatability [% of the span]	< ± 0,05; (with temperature fluctuations < 10 K)		
Characteristics deviation [% of the span]	< ± 0,8; (incl. drift when overtightened, zero point and span error, non-linearity, hysteresis)		
Linearity deviation [% of the span]	< ± 0,25 (BFSL) / < ± 0,5 (LS)		
Hysteresis deviation [% of the span]	< ± 0,2		
Long-term stability [% of the span]	< ± 0,1; (per 6 months)		
Temperature coefficient zero point [% of the span / 10 K]	< ± 0,1 (0...80 °C); < ± 0,2 (-40...0 °C / 80...125 °C)		
Temperature coefficient span [% of the span / 10 K]	< ± 0,1 (0...80 °C); < ± 0,2 (-40...0 °C / 80...125 °C)		
Reaction times			
Step response time analog output [ms]	2		
Operating conditions			
Ambient temperature [°C]	-40...100		
Storage temperature [°C]	-40...100		
Protection	IP 67; IP 69K		
Tests / approvals			
EMC	noise immunity according to UN ECE R10, rev. 6		
	ISO 11452-2	100 V/m	
	DIN EN 61326-1		
Shock resistance	DIN EN 60068-2-27	500 g (1 ms)	
Vibration resistance	DIN EN 60068-2-6	20 g (10...2000 Hz)	
MTTF [years]	711		
Pressure equipment directive	sound engineering practice; can be used for group 2 fluids; group 1 fluids on request		
Mechanical data			
Weight [g]	62.2		
Housing	tubular		
Dimensions [mm]	Ø 19 / L = 71.5		
Material	stainless steel (630/1.4542/17-4 PH); stainless steel (1.4404 / 316L); PPS		
Materials (wetted parts)	stainless steel (630/1.4542/17-4 PH)		
Min. pressure cycles	60 million; (at 1.2 times nominal pressure)		
Tightening torque [Nm]	25...35; (recommended tightening torque; Depends on lubrication, seal and pressure rating)		
Process connection	threaded connection G 1/4 external thread (DIN EN ISO 1179-2)		
Process connection sealing	HNBR (DIN EN ISO 1179-2)		
Restrictor element integrated	yes		

PT700E



Pressure transmitter

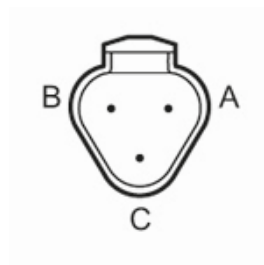
PT-400-SEG14-A-ZVG/DE

Remarks

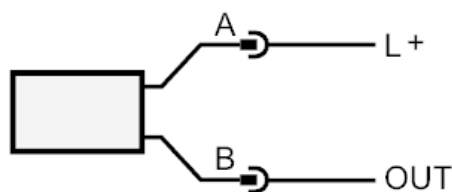
Remarks	BFSL = Best Fit Straight Line LS = limit value setting
Pack quantity	1 pcs.

Electrical connection

Connector: 1 x DEUTSCH connector (DT04-3P)



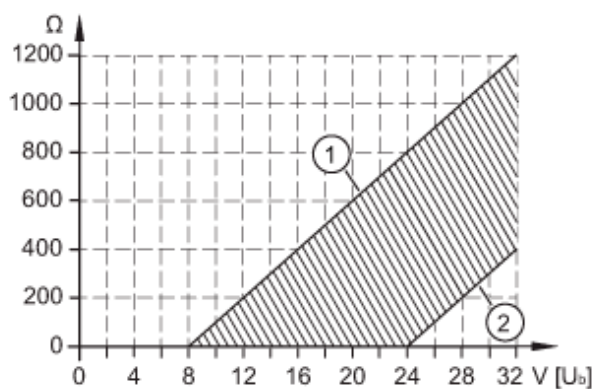
Connection



OUT analog output

Diagrams and graphs

Characteristic load curve current output



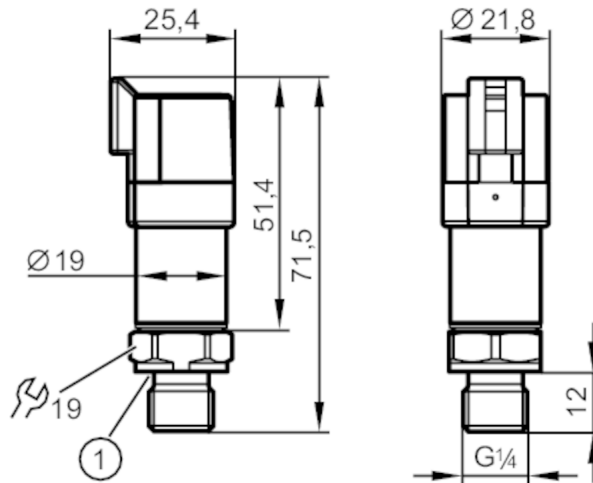
- 1: Max. load
- 2: Min. load

PT701E



Pressure transmitter

PT-250-SEG14-A-ZVG/DE



1 sealing



Product characteristics

Number of inputs and outputs	Number of analog outputs: 1		
Measuring range	0...250 bar	0...3625 psi	0...25 MPa
Process connection	threaded connection G 1/4 external thread (DIN EN ISO 1179-2)		

Application

Application	for mobile applications		
Media	liquids and gases		
Medium temperature [°C]	-40...125		
Min. burst pressure	1200 bar	17400 psi	120 MPa
Pressure rating	625 bar	9060 psi	62.5 MPa
Note on pressure rating	static		
Vacuum resistance	-1000 mbar	-0.1 MPa	
Type of pressure	relative pressure		

Electrical data

Operating voltage [V]	8...32 DC		
Min. insulation resistance [MΩ]	100; (500 V DC)		
Protection class	III		
Reverse polarity protection	yes		
Power-on delay time [s]	< 0.1		

Inputs / outputs

Number of inputs and outputs	Number of analog outputs: 1		
------------------------------	-----------------------------	--	--

Outputs

Total number of outputs	1		
Output signal	analog signal		
Number of analog outputs	1		
Analog current output [mA]	4...20		
Max. load [Ω]	(U _b - 8 V) / 21,5 mA; @8V = 0 Ω; @12V max. 200 Ω; @24V max. 750 Ω		
Short-circuit proof	yes		

PT701E



Pressure transmitter

PT-250-SEG14-A-ZVG/DE

Overload protection	yes		
Measuring/setting range			
Measuring range	0...250 bar	0...3625 psi	0...25 MPa
Accuracy / deviations			
Repeatability [% of the span]	< ± 0,05; (with temperature fluctuations < 10 K)		
Characteristics deviation [% of the span]	< ± 0,8; (incl. drift when overtightened, zero point and span error, non-linearity, hysteresis)		
Linearity deviation [% of the span]	< ± 0,25 (BFSL) / < ± 0,5 (LS)		
Hysteresis deviation [% of the span]	< ± 0,2		
Long-term stability [% of the span]	< ± 0,1; (per 6 months)		
Temperature coefficient zero point [% of the span / 10 K]	< ± 0,1 (0...80 °C); < ± 0,2 (-40...0 °C / 80...125 °C)		
Temperature coefficient span [% of the span / 10 K]	< ± 0,1 (0...80 °C); < ± 0,2 (-40...0 °C / 80...125 °C)		
Reaction times			
Step response time analog output [ms]	2		
Operating conditions			
Ambient temperature [°C]	-40...100		
Storage temperature [°C]	-40...100		
Protection	IP 67; IP 69K		
Tests / approvals			
EMC	noise immunity according to UN ECE R10, rev. 6		
	ISO 11452-2	100 V/m	
	DIN EN 61326-1		
Shock resistance	DIN EN 60068-2-27	500 g (1 ms)	
Vibration resistance	DIN EN 60068-2-6	20 g (10...2000 Hz)	
MTTF [years]	711		
Pressure equipment directive	sound engineering practice; can be used for group 2 fluids; group 1 fluids on request		
Mechanical data			
Weight [g]	62.1		
Housing	tubular		
Dimensions [mm]	Ø 19 / L = 71.5		
Material	stainless steel (630/1.4542/17-4 PH); stainless steel (1.4404 / 316L); PPS		
Materials (wetted parts)	stainless steel (630/1.4542/17-4 PH)		
Min. pressure cycles	60 million; (at 1.2 times nominal pressure)		
Tightening torque [Nm]	25...35; (recommended tightening torque; Depends on lubrication, seal and pressure rating)		
Process connection	threaded connection G 1/4 external thread (DIN EN ISO 1179-2)		
Process connection sealing	HNBR (DIN EN ISO 1179-2)		
Restrictor element integrated	yes		

PT701E



Pressure transmitter

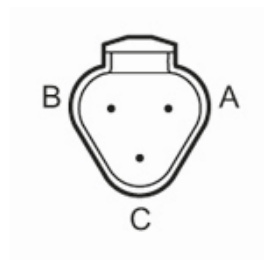
PT-250-SEG14-A-ZVG/DE

Remarks

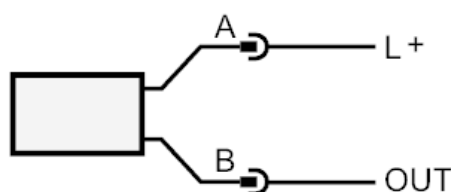
Remarks	BFSL = Best Fit Straight Line LS = limit value setting
Pack quantity	1 pcs.

Electrical connection

Connector: 1 x DEUTSCH connector (DT04-3P)



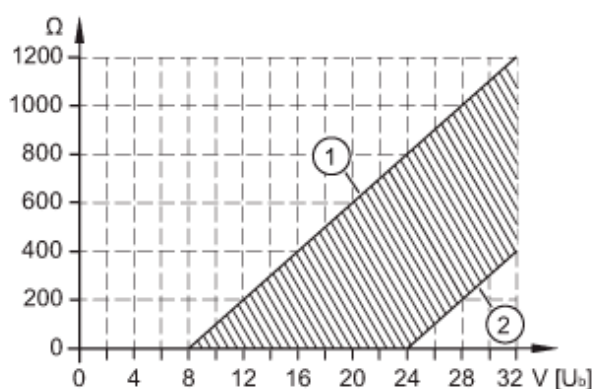
Connection



OUT analog output

Diagrams and graphs

Characteristic load curve current output



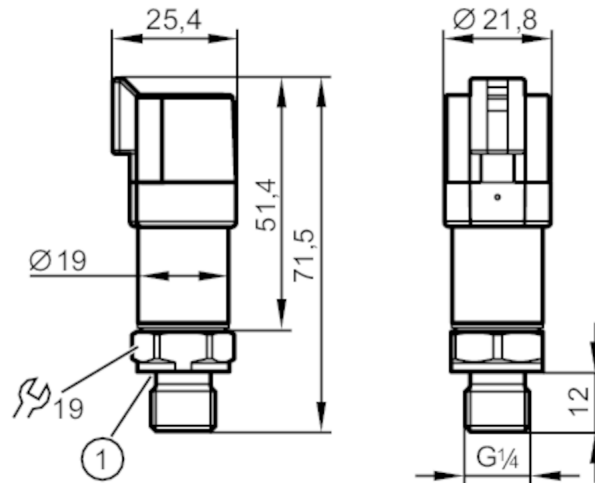
- 1: Max. load
- 2: Min. load

PT704E



Pressure transmitter

PT-010-SEG14-A-ZVG/DE



1 sealing



Product characteristics

Number of inputs and outputs	Number of analog outputs: 1			
Measuring range	0...10 bar	0...145 psi	0...1000 kPa	0...1 MPa
Process connection	threaded connection G 1/4 external thread (DIN EN ISO 1179-2)			

Application

Application	for mobile applications		
Media	liquids and gases		
Medium temperature [°C]	-40...125		
Min. burst pressure	300 bar	4350 psi	30 MPa
Pressure rating	25 bar	360 psi	2.5 MPa
Note on pressure rating	static		
Vacuum resistance	-1000 mbar	-0.1 MPa	
Type of pressure	relative pressure		

Electrical data

Operating voltage [V]	8...32 DC
Min. insulation resistance [MΩ]	100; (500 V DC)
Protection class	III
Reverse polarity protection	yes
Power-on delay time [s]	< 0.1

Inputs / outputs

Number of inputs and outputs	Number of analog outputs: 1
------------------------------	-----------------------------

Outputs

Total number of outputs	1
Output signal	analog signal
Number of analog outputs	1
Analog current output [mA]	4...20
Max. load [Ω]	(U _b - 8 V) / 21,5 mA; @8V = 0 Ω; @12V max. 200 Ω; @24V max. 750 Ω
Short-circuit proof	yes

PT704E



Pressure transmitter

PT-010-SEG14-A-ZVG/DE

Overload protection	yes			
Measuring/setting range				
Measuring range	0...10 bar	0...145 psi	0...1000 kPa	0...1 MPa
Accuracy / deviations				
Repeatability [% of the span]	< ± 0,05; (with temperature fluctuations < 10 K)			
Characteristics deviation [% of the span]	< ± 0,8; (incl. drift when overtightened, zero point and span error, non-linearity, hysteresis)			
Linearity deviation [% of the span]	< ± 0,25 (BFSL) / < ± 0,5 (LS)			
Hysteresis deviation [% of the span]	< ± 0,2			
Long-term stability [% of the span]	< ± 0,1; (per 6 months)			
Temperature coefficient zero point [% of the span / 10 K]	< ± 0,1 (0...80 °C); < ± 0,2 (-40...0 °C / 80...125 °C)			
Temperature coefficient span [% of the span / 10 K]	< ± 0,1 (0...80 °C); < ± 0,2 (-40...0 °C / 80...125 °C)			
Reaction times				
Step response time analog output [ms]	2			
Operating conditions				
Ambient temperature [°C]	-40...100			
Storage temperature [°C]	-40...100			
Protection	IP 67; IP 69K			
Tests / approvals				
EMC	noise immunity according to UN ECE R10, rev. 6			
	ISO 11452-2		100 V/m	
	DIN EN 61326-1			
Shock resistance	DIN EN 60068-2-27		500 g (1 ms)	
Vibration resistance	DIN EN 60068-2-6		20 g (10...2000 Hz)	
MTTF [years]	711			
Pressure equipment directive	sound engineering practice; can be used for group 2 fluids; group 1 fluids on request			
Mechanical data				
Weight [g]	61.7			
Housing	tubular			
Dimensions [mm]	Ø 19 / L = 71.5			
Material	stainless steel (630/1.4542/17-4 PH); stainless steel (1.4404 / 316L); PPS			
Materials (wetted parts)	stainless steel (630/1.4542/17-4 PH)			
Min. pressure cycles	60 million; (at 1.2 times nominal pressure)			
Tightening torque [Nm]	25...35; (recommended tightening torque; Depends on lubrication, seal and pressure rating)			
Process connection	threaded connection G 1/4 external thread (DIN EN ISO 1179-2)			
Process connection sealing	HNBR (DIN EN ISO 1179-2)			
Restrictor element integrated	yes			

PT704E



Pressure transmitter

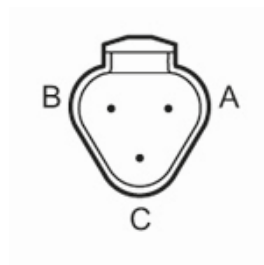
PT-010-SEG14-A-ZVG/DE

Remarks

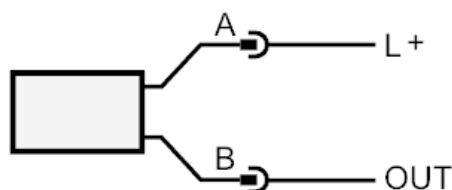
Remarks	BFSL = Best Fit Straight Line LS = limit value setting
Pack quantity	1 pcs.

Electrical connection

Connector: 1 x DEUTSCH connector (DT04-3P)



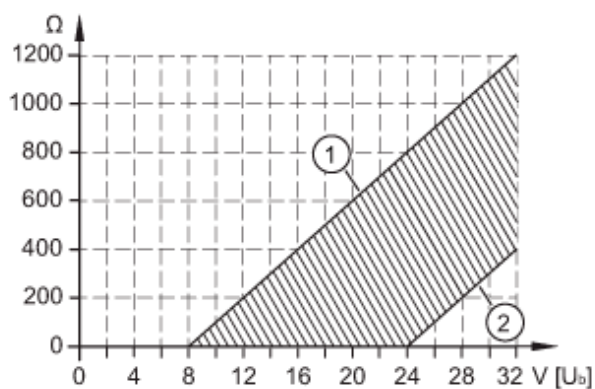
Connection



OUT analog output

Diagrams and graphs

Characteristic load curve current output



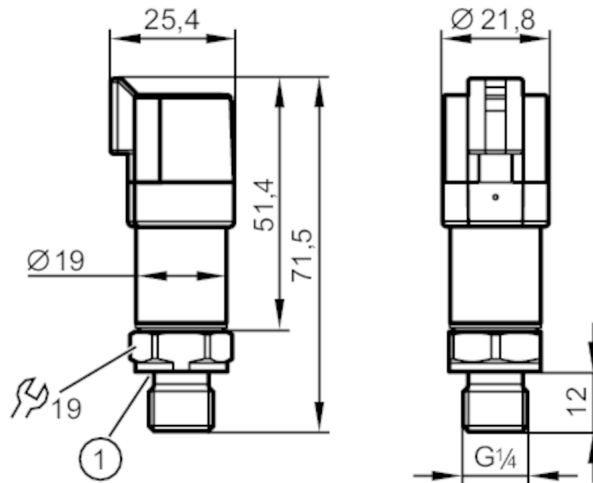
- 1: Max. load
- 2: Min. load

PT760E



Pressure transmitter

PT-600-SEG14-A-ZVG/DE



1 sealing



Product characteristics

Number of inputs and outputs	Number of analog outputs: 1		
Measuring range	0...600 bar	0...8700 psi	0...60 MPa
Process connection	threaded connection G 1/4 external thread (DIN EN ISO 1179-2)		

Application

Application	for mobile applications		
Media	liquids and gases		
Medium temperature [°C]	-40...125		
Min. burst pressure	2500 bar	36255 psi	250 MPa
Pressure rating	1500 bar	21755 psi	150 MPa
Note on pressure rating	static		
Vacuum resistance	-1000 mbar	-0.1 MPa	
Type of pressure	relative pressure		

Electrical data

Operating voltage [V]	8...32 DC		
Min. insulation resistance [MΩ]	100; (500 V DC)		
Protection class	III		
Reverse polarity protection	yes		
Power-on delay time [s]	< 0.1		

Inputs / outputs

Number of inputs and outputs	Number of analog outputs: 1		
------------------------------	-----------------------------	--	--

Outputs

Total number of outputs	1		
Output signal	analog signal		
Number of analog outputs	1		
Analog current output [mA]	4...20		
Max. load [Ω]	(U _b - 8 V) / 21,5 mA; @8V = 0 Ω; @12V max. 200 Ω; @24V max. 750 Ω		
Short-circuit proof	yes		

PT760E



Pressure transmitter

PT-600-SEG14-A-ZVG/DE

Overload protection	yes		
Measuring/setting range			
Measuring range	0...600 bar	0...8700 psi	0...60 MPa
Accuracy / deviations			
Repeatability [% of the span]	< ± 0,05; (with temperature fluctuations < 10 K)		
Characteristics deviation [% of the span]	< ± 0,8; (incl. drift when overtightened, zero point and span error, non-linearity, hysteresis)		
Linearity deviation [% of the span]	< ± 0,25 (BFSL) / < ± 0,5 (LS)		
Hysteresis deviation [% of the span]	< ± 0,2		
Long-term stability [% of the span]	< ± 0,1; (per 6 months)		
Temperature coefficient zero point [% of the span / 10 K]	< ± 0,1 (0...80 °C); < ± 0,2 (-40...0 °C / 80...125 °C)		
Temperature coefficient span [% of the span / 10 K]	< ± 0,1 (0...80 °C); < ± 0,2 (-40...0 °C / 80...125 °C)		
Reaction times			
Step response time analog output [ms]	2		
Operating conditions			
Ambient temperature [°C]	-40...100		
Storage temperature [°C]	-40...100		
Protection	IP 67; IP 69K		
Tests / approvals			
EMC	noise immunity according to UN ECE R10, rev. 6		
	ISO 11452-2	100 V/m	
	DIN EN 61326-1		
Shock resistance	DIN EN 60068-2-27	500 g (1 ms)	
Vibration resistance	DIN EN 60068-2-6	20 g (10...2000 Hz)	
MTTF [years]	711		
Pressure equipment directive	Modul A; can be used for group 2 fluids; group 1 fluids on request		
Mechanical data			
Weight [g]	62.8		
Housing	tubular		
Dimensions [mm]	Ø 19 / L = 71.5		
Material	stainless steel (630/1.4542/17-4 PH); stainless steel (1.4404 / 316L); PPS		
Materials (wetted parts)	stainless steel (630/1.4542/17-4 PH)		
Min. pressure cycles	60 million; (at 1.2 times nominal pressure)		
Tightening torque [Nm]	30...50; (recommended tightening torque; Depends on lubrication, seal and pressure rating)		
Process connection	threaded connection G 1/4 external thread (DIN EN ISO 1179-2)		
Process connection sealing	HNBR (DIN EN ISO 1179-2)		
Restrictor element integrated	yes		

PT760E



Pressure transmitter

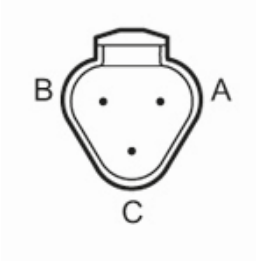
PT-600-SEG14-A-ZVG/DE

Remarks

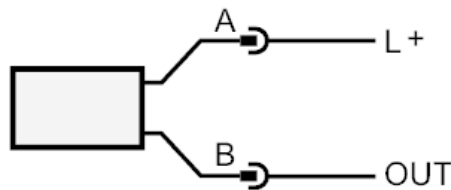
Remarks	BFSL = Best Fit Straight Line LS = limit value setting
Pack quantity	1 pcs.

Electrical connection

Connector: 1 x DEUTSCH connector (DT04-3P)



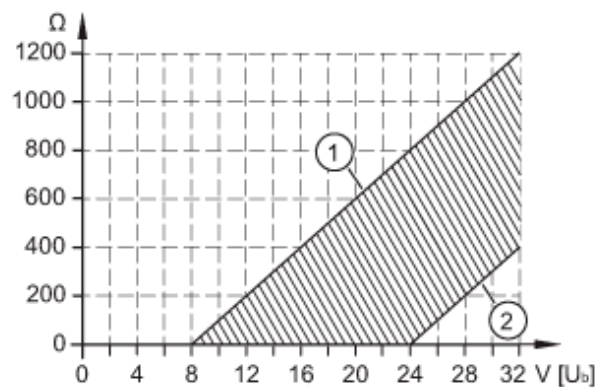
Connection



OUT analog output

Diagrams and graphs

Characteristic load curve current output



1: Max. load

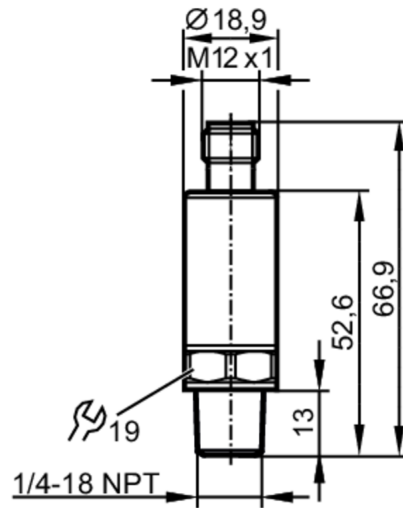
2: Min. load

PT2334



Pressure transmitter

PT-030PSEN14-A-ZVG/US/ IW



Product characteristics	
Number of inputs and outputs	Number of analog outputs: 1
Measuring range	0...300 psi 0...2000 kPa
Process connection	threaded connection 1/4" NPT external thread
Application	
Application	for industrial applications
Media	liquids and gases
Medium temperature [°C]	-40...90
Min. burst pressure	8700 psi 60 MPa
Pressure rating	940 psi 6.5 MPa
Note on pressure rating	static
Vacuum resistance	-14.5 psi -0.1 MPa
Type of pressure	relative pressure
MAWP (for applications according to CRN) [psi]	940
Electrical data	
Operating voltage [V]	8.5...36 DC
Min. insulation resistance [MΩ]	100; (500 V DC)
Protection class	III
Reverse polarity protection	yes
Inputs / outputs	
Number of inputs and outputs	Number of analog outputs: 1
Outputs	
Total number of outputs	1
Output signal	analog signal
Number of analog outputs	1
Analog current output [mA]	4...20

PT2334



Pressure transmitter

PT-030PSEN14-A-ZVG/US/ IW

Max. load	[Ω]	720; (U _b = 24 V; (U _b - 8,5 V) / 21,5 mA)
Short-circuit proof		yes
Overload protection		yes

Measuring/setting range

Measuring range	0...300 psi	0...2000 kPa
-----------------	-------------	--------------

Accuracy / deviations

Repeatability	[% of the span]	< ± 0,05; (with temperature fluctuations < 10 K)
Characteristics deviation	[% of the span]	< ± 0,5; (incl. drift when overtightened, zero point and span error, non-linearity, hysteresis)
Linearity deviation	[% of the span]	< ± 0,1 (BFSL) / < ± 0,2 (LS)
Hysteresis deviation	[% of the span]	< ± 0,2
Long-term stability	[% of the span]	< ± 0,1; (per 6 months)
Temperature coefficient zero point and span	[% of the span / 10 K]	< 0,1 (-25...90 °C) / < 0,2 (-40...-25 °C)

Reaction times

Step response time analog output	[ms]	2
----------------------------------	------	---

Operating conditions

Ambient temperature	[°C]	-40...90
Storage temperature	[°C]	-40...100
Protection		IP 67; IP 69K

Tests / approvals

EMC	DIN EN 61000-6-2	
	DIN EN 61000-6-3	
Shock resistance	DIN EN 60068-2-27	50 g (11 ms)
Vibration resistance	DIN EN 60068-2-6	20 g (10...2000 Hz)
MTTF	[years]	789
UL approval	UL approval number	J029
Pressure equipment directive	sound engineering practice; can be used for group 2 fluids; group 1 fluids on request	

Mechanical data

Weight	[g]	61.4
Housing		tubular
Dimensions	[mm]	Ø 18.9 / L = 66.9
Material		stainless steel (630/1.4542/17-4 PH); stainless steel (1.4404 / 316L); PEI
Materials (wetted parts)		stainless steel (630/1.4542/17-4 PH)
Min. pressure cycles		60 million; (at 1.2 times nominal pressure)
Tightening torque	[Nm]	< 50; (recommended tightening torque; Depends on lubrication, seal and pressure rating)
Process connection		threaded connection 1/4" NPT external thread
Restrictor element integrated		yes

PT2334



Pressure transmitter

PT-030PSEN14-A-ZVG/US/ IW

Remarks

Remarks

BFSL = Best Fit Straight Line

LS = limit value setting

Pack quantity

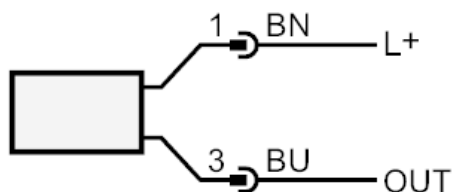
1 pcs.

Electrical connection

Connector: 1 x M12; coding: A

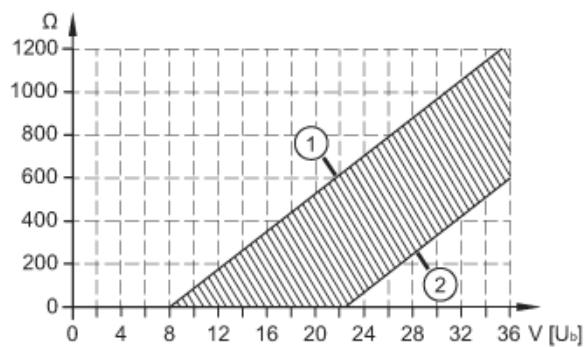


Connection



OUT analog output
 Colors to DIN EN 60947-5-2
 Core colors :
BN = brown
BU = blue

Diagrams and graphs



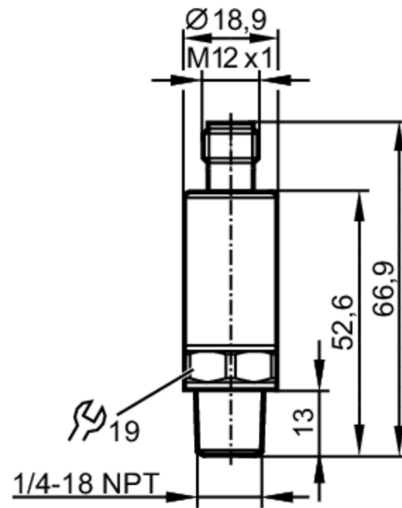
1: Max. load
2: Min. load

PT2400



Pressure transmitter

PT-500PSEN14-A-ZVG/US/ IW



Product characteristics

Number of inputs and outputs	Number of analog outputs: 1	
Measuring range	0...5000 psi	0...34470 kPa
Process connection	threaded connection 1/4" NPT external thread	

Application

Application	for industrial applications	
Media	liquids and gases	
Medium temperature [°C]	-40...90	
Min. burst pressure	24650 psi	170 MPa
Pressure rating	14500 psi	100 MPa
Note on pressure rating	static	
Vacuum resistance	-14.5 psi	-0.1 MPa
Type of pressure	relative pressure	
MAWP (for applications according to CRN) [psi]	12180	

Electrical data

Operating voltage [V]	8.5...36 DC	
Min. insulation resistance [MΩ]	100; (500 V DC)	
Protection class	III	
Reverse polarity protection	yes	
Power-on delay time [s]	< 0.1	

Inputs / outputs

Number of inputs and outputs	Number of analog outputs: 1	
------------------------------	-----------------------------	--

Outputs

Total number of outputs	1	
Output signal	analog signal	
Number of analog outputs	1	

PT2400



Pressure transmitter

PT-500PSEN14-A-ZVG/US/ IW

Analog current output	[mA]	4...20
Max. load	[Ω]	$(U_b - 8,5 \text{ V}) / 21,5 \text{ mA}$; @8,5V= 0 Ω; @12V max. 160 Ω; @24V max. 720 Ω
Short-circuit proof		yes
Overload protection		yes
Measuring/setting range		
Measuring range		0...5000 psi 0...34470 kPa
Accuracy / deviations		
Repeatability	[% of the span]	$< \pm 0,05$; (with temperature fluctuations $< 10 \text{ K}$)
Characteristics deviation	[% of the span]	$< \pm 0,5$; (incl. drift when overtightened, zero point and span error, non-linearity, hysteresis)
Linearity deviation	[% of the span]	$< \pm 0,1$ (BFSL) / $< \pm 0,2$ (LS)
Hysteresis deviation	[% of the span]	$< \pm 0,2$
Long-term stability	[% of the span]	$< \pm 0,1$; (per 6 months)
Temperature coefficient zero point and span	[% of the span / 10 K]	$< 0,1$ (-25...90 °C) / $< 0,2$ (-40...-25 °C)
Reaction times		
Step response time analog output	[ms]	1
Operating conditions		
Ambient temperature	[°C]	-40...90
Storage temperature	[°C]	-40...100
Protection		IP 67; IP 69K
Tests / approvals		
EMC		DIN EN 61000-6-2 DIN EN 61000-6-3
Shock resistance		DIN EN 60068-2-27 50 g (11 ms)
Vibration resistance		DIN EN 60068-2-6 20 g (10...2000 Hz)
MTTF	[years]	784
Pressure equipment directive		sound engineering practice; can be used for group 2 fluids; group 1 fluids on request
Mechanical data		
Weight	[g]	61.1
Housing		tubular
Dimensions	[mm]	Ø 18.9 / L = 66.9
Material		stainless steel (630/1.4542/17-4 PH); stainless steel (1.4404 / 316L); PEI
Materials (wetted parts)		stainless steel (630/1.4542/17-4 PH)
Min. pressure cycles		60 million; (at 1.2 times nominal pressure)
Tightening torque	[Nm]	< 50 ; (recommended tightening torque; Depends on lubrication, seal and pressure rating)
Process connection		threaded connection 1/4" NPT external thread
Restrictor element integrated		no (can be retrofitted)

PT2400



Pressure transmitter

PT-500PSEN14-A-ZVG/US/ IW

Remarks

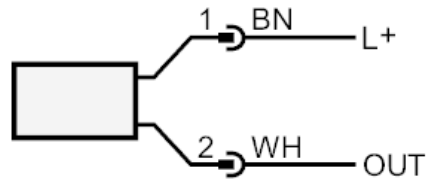
Remarks	BFSL = Best Fit Straight Line
	LS = limit value setting
Pack quantity	1 pcs.

Electrical connection

Connector: 1 x M12; coding: A



Connection



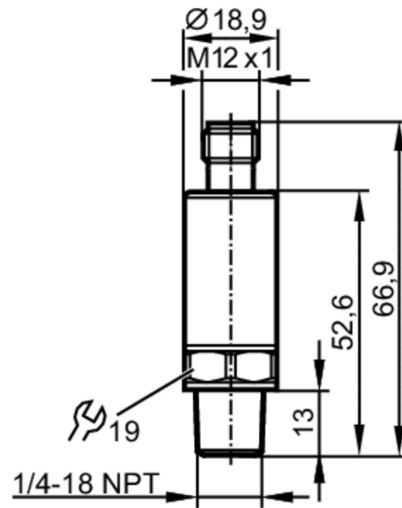
OUT analog output
 Colors to DIN EN 60947-5-2
 Core colors :
BN = brown
WH = white

PT2402



Pressure transmitter

PT-100PSEN14-A-ZVG/US/ IW



Product characteristics

Number of inputs and outputs	Number of analog outputs: 1	
Measuring range	0...1000 psi	0...6890 kPa
Process connection	threaded connection 1/4" NPT external thread	

Application

Application	for industrial applications	
Media	liquids and gases	
Medium temperature [°C]	-40...90	
Min. burst pressure	13050 psi	90 MPa
Pressure rating	2500 psi	17 MPa
Note on pressure rating	static	
Vacuum resistance	-14.5 psi	-0.1 MPa
Type of pressure	relative pressure	
MAWP (for applications according to CRN) [psi]	2500	

Electrical data

Operating voltage [V]	8.5...36 DC	
Min. insulation resistance [MΩ]	100; (500 V DC)	
Protection class	III	
Reverse polarity protection	yes	
Power-on delay time [s]	< 0.1	

Inputs / outputs

Number of inputs and outputs	Number of analog outputs: 1	
------------------------------	-----------------------------	--

Outputs

Total number of outputs	1	
Output signal	analog signal	
Number of analog outputs	1	

PT2402

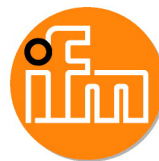


Pressure transmitter

PT-100PSEN14-A-ZVG/US/ IW

Analog current output	[mA]	4...20
Max. load	[Ω]	$(U_b - 8,5 \text{ V}) / 21,5 \text{ mA}$; @8,5V= 0 Ω; @12V max. 160 Ω; @24V max. 720 Ω
Short-circuit proof		yes
Overload protection		yes
Measuring/setting range		
Measuring range		0...1000 psi 0...6890 kPa
Accuracy / deviations		
Repeatability	[% of the span]	$< \pm 0,05$; (with temperature fluctuations $< 10 \text{ K}$)
Characteristics deviation	[% of the span]	$< \pm 0,5$; (incl. drift when overtightened, zero point and span error, non-linearity, hysteresis)
Linearity deviation	[% of the span]	$< \pm 0,1$ (BFSL) / $< \pm 0,2$ (LS)
Hysteresis deviation	[% of the span]	$< \pm 0,2$
Long-term stability	[% of the span]	$< \pm 0,1$; (per 6 months)
Temperature coefficient zero point and span	[% of the span / 10 K]	$< 0,1$ (-25...90 °C) / $< 0,2$ (-40...-25 °C)
Reaction times		
Step response time analog output	[ms]	1
Operating conditions		
Ambient temperature	[°C]	-40...90
Storage temperature	[°C]	-40...100
Protection		IP 67; IP 69K
Tests / approvals		
EMC		DIN EN 61000-6-2 DIN EN 61000-6-3
Shock resistance		DIN EN 60068-2-27 50 g (11 ms)
Vibration resistance		DIN EN 60068-2-6 20 g (10...2000 Hz)
MTTF	[years]	784
Pressure equipment directive		sound engineering practice; can be used for group 2 fluids; group 1 fluids on request
Mechanical data		
Weight	[g]	58
Housing		tubular
Dimensions	[mm]	Ø 18.9 / L = 66.9
Material		stainless steel (630/1.4542/17-4 PH); stainless steel (1.4404 / 316L); PEI
Materials (wetted parts)		stainless steel (630/1.4542/17-4 PH)
Min. pressure cycles		60 million; (at 1.2 times nominal pressure)
Tightening torque	[Nm]	< 50 ; (recommended tightening torque; Depends on lubrication, seal and pressure rating)
Process connection		threaded connection 1/4" NPT external thread
Restrictor element integrated		no (can be retrofitted)

PT2402



Pressure transmitter

PT-100PSEN14-A-ZVG/US/ IW

Remarks

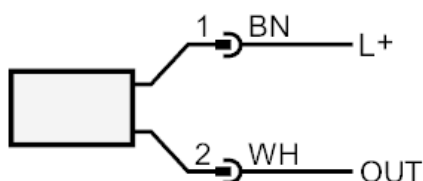
Remarks	BFSL = Best Fit Straight Line LS = limit value setting
Pack quantity	1 pcs.

Electrical connection

Connector: 1 x M12; coding: A



Connection



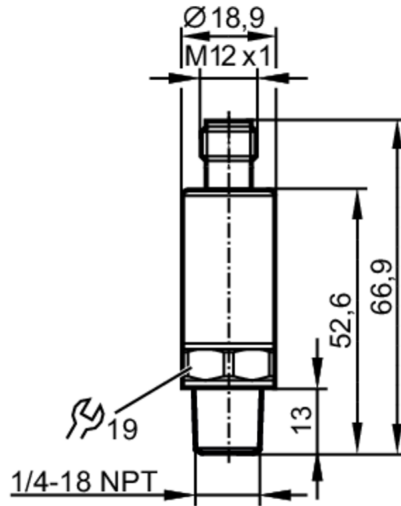
OUT analog output
 Colors to DIN EN 60947-5-2
 Core colors :
BN = brown
WH = white

PT2415



Pressure transmitter

PT-010PSEN14-A-ZVG/US/ IW



Product characteristics

Number of inputs and outputs	Number of analog outputs: 1	
Measuring range	0...100 psi	0...690 kPa
Process connection	threaded connection 1/4" NPT external thread	

Application

Application	for industrial applications	
Media	liquids and gases	
Medium temperature [°C]	-40...90	
Min. burst pressure	2900 psi	20 MPa
Pressure rating	250 psi	1.7 MPa
Note on pressure rating	static	
Vacuum resistance	-14.5 psi	-0.1 MPa
Type of pressure	relative pressure	
MAWP (for applications according to CRN) [psi]	250	

Electrical data

Operating voltage [V]	8.5...36 DC	
Min. insulation resistance [MΩ]	100; (500 V DC)	
Protection class	III	
Reverse polarity protection	yes	
Power-on delay time [s]	< 0.1	

Inputs / outputs

Number of inputs and outputs	Number of analog outputs: 1	
------------------------------	-----------------------------	--

Outputs

Total number of outputs	1	
Output signal	analog signal	
Number of analog outputs	1	

PT2415



Pressure transmitter

PT-010PSEN14-A-ZVG/US/ IW

Analog current output	[mA]	4...20
Max. load	[Ω]	$(U_b - 8,5 \text{ V}) / 21,5 \text{ mA}$; @8,5V= 0 Ω; @12V max. 160 Ω; @24V max. 720 Ω
Short-circuit proof		yes
Overload protection		yes
Measuring/setting range		
Measuring range		0...100 psi 0...690 kPa
Accuracy / deviations		
Repeatability	[% of the span]	$< \pm 0,05$; (with temperature fluctuations $< 10 \text{ K}$)
Characteristics deviation	[% of the span]	$< \pm 0,5$; (incl. drift when overtightened, zero point and span error, non-linearity, hysteresis)
Linearity deviation	[% of the span]	$< \pm 0,1$ (BFSL) / $< \pm 0,2$ (LS)
Hysteresis deviation	[% of the span]	$< \pm 0,2$
Long-term stability	[% of the span]	$< \pm 0,1$; (per 6 months)
Temperature coefficient zero point and span	[% of the span / 10 K]	$< 0,1$ (-25...90 °C) / $< 0,2$ (-40...-25 °C)
Reaction times		
Step response time analog output	[ms]	1
Operating conditions		
Ambient temperature	[°C]	-40...90
Storage temperature	[°C]	-40...100
Protection		IP 67; IP 69K
Tests / approvals		
EMC		DIN EN 61000-6-2 DIN EN 61000-6-3
Shock resistance		DIN EN 60068-2-27 50 g (11 ms)
Vibration resistance		DIN EN 60068-2-6 20 g (10...2000 Hz)
MTTF	[years]	784
Pressure equipment directive		sound engineering practice; can be used for group 2 fluids; group 1 fluids on request
Mechanical data		
Weight	[g]	57.5
Housing		tubular
Dimensions	[mm]	Ø 18.9 / L = 66.9
Material		stainless steel (630/1.4542/17-4 PH); stainless steel (1.4404 / 316L); PEI
Materials (wetted parts)		stainless steel (630/1.4542/17-4 PH)
Min. pressure cycles		60 million; (at 1.2 times nominal pressure)
Tightening torque	[Nm]	< 50 ; (recommended tightening torque; Depends on lubrication, seal and pressure rating)
Process connection		threaded connection 1/4" NPT external thread
Restrictor element integrated		no (can be retrofitted)

PT2415



Pressure transmitter

PT-010PSEN14-A-ZVG/US/ IW

Remarks

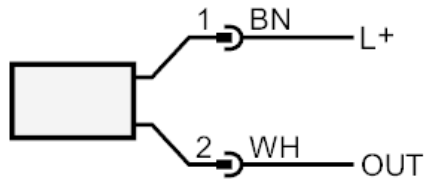
Remarks	BFSL = Best Fit Straight Line LS = limit value setting
Pack quantity	1 pcs.

Electrical connection

Connector: 1 x M12; coding: A



Connection



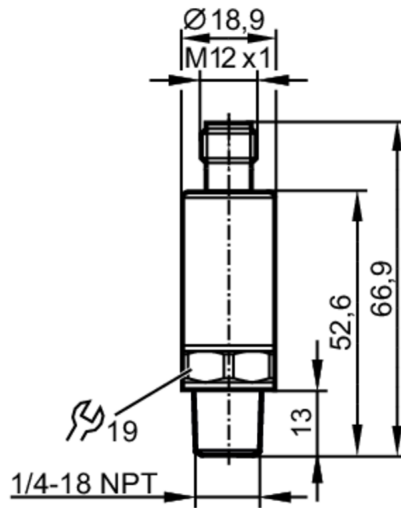
OUT analog output
 Colors to DIN EN 60947-5-2
 Core colors :
BN = brown
WH = white

PT2424



Pressure transmitter

PT-020PSEN14-A-ZVG/US/ IW



Product characteristics

Number of inputs and outputs	Number of analog outputs: 1	
Measuring range	0...200 psi	0...1380 kPa
Process connection	threaded connection 1/4" NPT external thread	

Application

Application	for industrial applications	
Media	liquids and gases	
Medium temperature [°C]	-40...90	
Min. burst pressure	6525 psi	45 MPa
Pressure rating	580 psi	4 MPa
Note on pressure rating	static	
Vacuum resistance	-14.5 psi	-0.1 MPa
Type of pressure	relative pressure	
MAWP (for applications according to CRN) [psi]	580	

Electrical data

Operating voltage [V]	8.5...36 DC	
Min. insulation resistance [MΩ]	100; (500 V DC)	
Protection class	III	
Reverse polarity protection	yes	
Power-on delay time [s]	< 0.1	

Inputs / outputs

Number of inputs and outputs	Number of analog outputs: 1	
------------------------------	-----------------------------	--

Outputs

Total number of outputs	1	
Output signal	analog signal	
Number of analog outputs	1	

PT2424



Pressure transmitter

PT-020PSEN14-A-ZVG/US/ IW

Analog current output	[mA]	4...20
Max. load	[Ω]	$(U_b - 8,5 \text{ V}) / 21,5 \text{ mA}$; @8,5V= 0 Ω; @12V max. 160 Ω; @24V max. 720 Ω
Short-circuit proof		yes
Overload protection		yes
Measuring/setting range		
Measuring range		0...200 psi 0...1380 kPa
Accuracy / deviations		
Repeatability	[% of the span]	$< \pm 0,05$; (with temperature fluctuations $< 10 \text{ K}$)
Characteristics deviation	[% of the span]	$< \pm 0,5$; (incl. drift when overtightened, zero point and span error, non-linearity, hysteresis)
Linearity deviation	[% of the span]	$< \pm 0,1$ (BFSL) / $< \pm 0,2$ (LS)
Hysteresis deviation	[% of the span]	$< \pm 0,2$
Long-term stability	[% of the span]	$< \pm 0,1$; (per 6 months)
Temperature coefficient zero point and span	[% of the span / 10 K]	$< 0,1$ (-25...90 °C) / $< 0,2$ (-40...-25 °C)
Reaction times		
Step response time analog output	[ms]	1
Operating conditions		
Ambient temperature	[°C]	-40...90
Storage temperature	[°C]	-40...100
Protection		IP 67; IP 69K
Tests / approvals		
EMC		DIN EN 61000-6-2 DIN EN 61000-6-3
Shock resistance		DIN EN 60068-2-27 50 g (11 ms)
Vibration resistance		DIN EN 60068-2-6 20 g (10...2000 Hz)
MTTF	[years]	784
Pressure equipment directive		sound engineering practice; can be used for group 2 fluids; group 1 fluids on request
Mechanical data		
Weight	[g]	57.5
Housing		tubular
Dimensions	[mm]	Ø 18.9 / L = 66.9
Material		stainless steel (630/1.4542/17-4 PH); stainless steel (1.4404 / 316L); PEI
Materials (wetted parts)		stainless steel (630/1.4542/17-4 PH)
Min. pressure cycles		60 million; (at 1.2 times nominal pressure)
Tightening torque	[Nm]	< 50 ; (recommended tightening torque; Depends on lubrication, seal and pressure rating)
Process connection		threaded connection 1/4" NPT external thread
Restrictor element integrated		no (can be retrofitted)

PT2424



Pressure transmitter

PT-020PSEN14-A-ZVG/US/ IW

Remarks

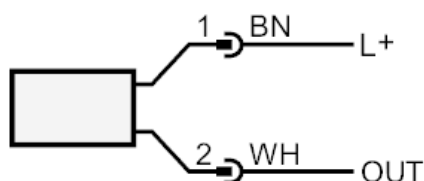
Remarks	BFSL = Best Fit Straight Line LS = limit value setting
Pack quantity	1 pcs.

Electrical connection

Connector: 1 x M12; coding: A



Connection



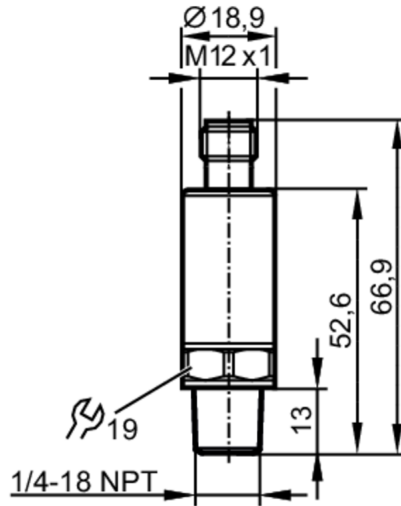
OUT analog output
 Colors to DIN EN 60947-5-2
 Core colors :
BN = brown
WH = white

PT2432



Pressure transmitter

PT-300PSEN14-A-ZVG/US/ IW



Product characteristics	
Number of inputs and outputs	Number of analog outputs: 1
Measuring range	0...3000 psi 0...20680 kPa
Process connection	threaded connection 1/4" NPT external thread
Application	
Application	for industrial applications
Media	liquids and gases
Medium temperature [°C]	-40...90
Min. burst pressure	14500 psi 100 MPa
Pressure rating	7250 psi 50 MPa
Note on pressure rating	static
Vacuum resistance	-14.5 psi -0.1 MPa
Type of pressure	relative pressure
MAWP (for applications according to CRN) [psi]	7250
Electrical data	
Operating voltage [V]	8.5...36 DC
Min. insulation resistance [MΩ]	100; (500 V DC)
Protection class	III
Reverse polarity protection	yes
Power-on delay time [s]	< 0.1
Inputs / outputs	
Number of inputs and outputs	Number of analog outputs: 1
Outputs	
Total number of outputs	1
Output signal	analog signal
Number of analog outputs	1

PT2432



Pressure transmitter

PT-300PSEN14-A-ZVG/US/ IW

Analog current output	[mA]	4...20
Max. load	[Ω]	$(U_b - 8,5 \text{ V}) / 21,5 \text{ mA}$; @8,5V= 0 Ω; @12V max. 160 Ω; @24V max. 720 Ω
Short-circuit proof		yes
Overload protection		yes

Measuring/setting range

Measuring range	0...3000 psi	0...20680 kPa
-----------------	--------------	---------------

Accuracy / deviations

Repeatability	[% of the span]	$< \pm 0,05$; (with temperature fluctuations $< 10 \text{ K}$)
Characteristics deviation	[% of the span]	$< \pm 0,5$; (incl. drift when overtightened, zero point and span error, non-linearity, hysteresis)
Linearity deviation	[% of the span]	$< \pm 0,1$ (BFSL) / $< \pm 0,2$ (LS)
Hysteresis deviation	[% of the span]	$< \pm 0,2$
Long-term stability	[% of the span]	$< \pm 0,1$; (per 6 months)
Temperature coefficient zero point and span	[% of the span / 10 K]	$< 0,1$ ($-25...90 \text{ °C}$) / $< 0,2$ ($-40...-25 \text{ °C}$)

Reaction times

Step response time analog output	[ms]	1
----------------------------------	------	---

Operating conditions

Ambient temperature	[°C]	-40...90
Storage temperature	[°C]	-40...100
Protection		IP 67; IP 69K

Tests / approvals

EMC	DIN EN 61000-6-2	
	DIN EN 61000-6-3	
Shock resistance	DIN EN 60068-2-27	50 g (11 ms)
Vibration resistance	DIN EN 60068-2-6	20 g (10...2000 Hz)
MTTF	[years]	784
Pressure equipment directive		sound engineering practice; can be used for group 2 fluids; group 1 fluids on request

Mechanical data

Weight	[g]	60.3
Housing		tubular
Dimensions	[mm]	Ø 18.9 / L = 66.9
Material		stainless steel (630/1.4542/17-4 PH); stainless steel (1.4404 / 316L); PEI
Materials (wetted parts)		stainless steel (630/1.4542/17-4 PH)
Min. pressure cycles		60 million; (at 1.2 times nominal pressure)
Tightening torque	[Nm]	< 50 ; (recommended tightening torque; Depends on lubrication, seal and pressure rating)
Process connection		threaded connection 1/4" NPT external thread
Restrictor element integrated		no (can be retrofitted)

PT2432



Pressure transmitter

PT-300PSEN14-A-ZVG/US/ IW

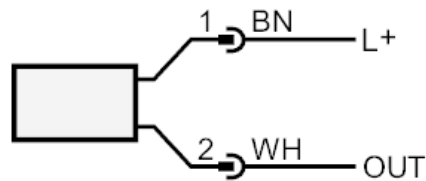
Remarks	
Remarks	BFSL = Best Fit Straight Line LS = limit value setting
Pack quantity	1 pcs.

Electrical connection

Connector: 1 x M12; coding: A



Connection



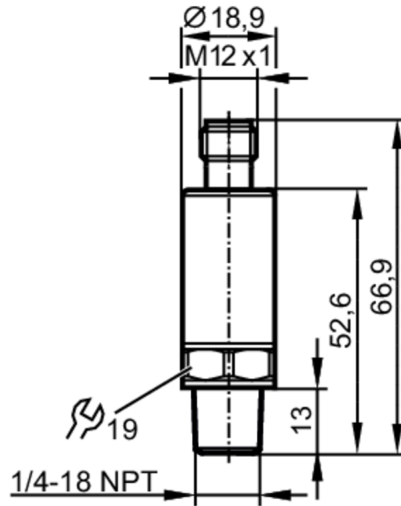
OUT analog output
 Colors to DIN EN 60947-5-2
 Core colors :
BN = brown
WH = white

PT2434



Pressure transmitter

PT-030PSEN14-A-ZVG/US/ IW



Product characteristics

Number of inputs and outputs	Number of analog outputs: 1	
Measuring range	0...300 psi	0...2000 kPa
Process connection	threaded connection 1/4" NPT external thread	

Application

Application	for industrial applications	
Media	liquids and gases	
Medium temperature [°C]	-40...90	
Min. burst pressure	8700 psi	60 MPa
Pressure rating	940 psi	6.5 MPa
Note on pressure rating	static	
Vacuum resistance	-14.5 psi	-0.1 MPa
Type of pressure	relative pressure	
MAWP (for applications according to CRN) [psi]	940	

Electrical data

Operating voltage [V]	8.5...36 DC	
Min. insulation resistance [MΩ]	100; (500 V DC)	
Protection class	III	
Reverse polarity protection	yes	
Power-on delay time [s]	< 0.1	

Inputs / outputs

Number of inputs and outputs	Number of analog outputs: 1	
------------------------------	-----------------------------	--

Outputs

Total number of outputs	1	
Output signal	analog signal	
Number of analog outputs	1	

PT2434



Pressure transmitter

PT-030PSEN14-A-ZVG/US/ IW

Analog current output	[mA]	4...20
Max. load	[Ω]	$(U_b - 8,5 \text{ V}) / 21,5 \text{ mA}$; @8,5V= 0 Ω; @12V max. 160 Ω; @24V max. 720 Ω
Short-circuit proof		yes
Overload protection		yes
Measuring/setting range		
Measuring range		0...300 psi 0...2000 kPa
Accuracy / deviations		
Repeatability	[% of the span]	$< \pm 0,05$; (with temperature fluctuations $< 10 \text{ K}$)
Characteristics deviation	[% of the span]	$< \pm 0,5$; (incl. drift when overtightened, zero point and span error, non-linearity, hysteresis)
Linearity deviation	[% of the span]	$< \pm 0,1$ (BFSL) / $< \pm 0,2$ (LS)
Hysteresis deviation	[% of the span]	$< \pm 0,2$
Long-term stability	[% of the span]	$< \pm 0,1$; (per 6 months)
Temperature coefficient zero point and span	[% of the span / 10 K]	$< 0,1$ ($-25...90 \text{ °C}$) / $< 0,2$ ($-40...-25 \text{ °C}$)
Reaction times		
Step response time analog output	[ms]	1
Operating conditions		
Ambient temperature	[°C]	-40...90
Storage temperature	[°C]	-40...100
Protection		IP 67; IP 69K
Tests / approvals		
EMC		DIN EN 61000-6-2 DIN EN 61000-6-3
Shock resistance		50 g (11 ms)
Vibration resistance		20 g (10...2000 Hz)
MTTF	[years]	784
Pressure equipment directive		sound engineering practice; can be used for group 2 fluids; group 1 fluids on request
Mechanical data		
Weight	[g]	58
Housing		tubular
Dimensions	[mm]	Ø 18.9 / L = 66.9
Material		stainless steel (630/1.4542/17-4 PH); stainless steel (1.4404 / 316L); PEI
Materials (wetted parts)		stainless steel (630/1.4542/17-4 PH)
Min. pressure cycles		60 million; (at 1.2 times nominal pressure)
Tightening torque	[Nm]	< 50 ; (recommended tightening torque; Depends on lubrication, seal and pressure rating)
Process connection		threaded connection 1/4" NPT external thread
Restrictor element integrated		no (can be retrofitted)

PT2434



Pressure transmitter

PT-030PSEN14-A-ZVG/US/ IW

Remarks

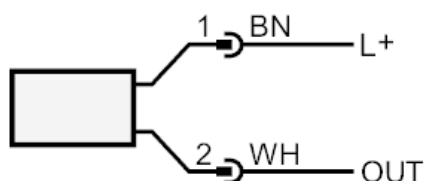
Remarks	BFSL = Best Fit Straight Line LS = limit value setting
Pack quantity	1 pcs.

Electrical connection

Connector: 1 x M12; coding: A



Connection



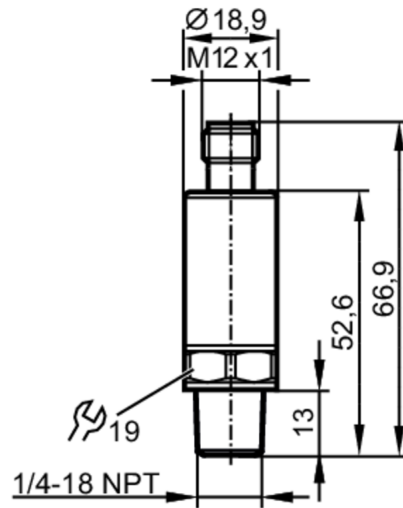
OUT analog output
 Colors to DIN EN 60947-5-2
 Core colors :
BN = brown
WH = white

PT2443



Pressure transmitter

PT-050PSEN14-A-ZVG/US/ IW



Product characteristics

Number of inputs and outputs	Number of analog outputs: 1	
Measuring range	0...500 psi	0...3450 kPa
Process connection	threaded connection 1/4" NPT external thread	

Application

Application	for industrial applications	
Media	liquids and gases	
Medium temperature [°C]	-40...90	
Min. burst pressure	11600 psi	80 MPa
Pressure rating	1450 psi	10 MPa
Note on pressure rating	static	
Vacuum resistance	-14.5 psi	-0.1 MPa
Type of pressure	relative pressure	
MAWP (for applications according to CRN) [psi]	1450	

Electrical data

Operating voltage [V]	8.5...36 DC	
Min. insulation resistance [MΩ]	100; (500 V DC)	
Protection class	III	
Reverse polarity protection	yes	
Power-on delay time [s]	< 0.1	

Inputs / outputs

Number of inputs and outputs	Number of analog outputs: 1	
------------------------------	-----------------------------	--

Outputs

Total number of outputs	1	
Output signal	analog signal	
Number of analog outputs	1	

PT2443



Pressure transmitter

PT-050PSEN14-A-ZVG/US/ IW

Analog current output	[mA]	4...20
Max. load	[Ω]	$(U_b - 8,5 \text{ V}) / 21,5 \text{ mA}$; @8,5V= 0 Ω; @12V max. 160 Ω; @24V max. 720 Ω
Short-circuit proof		yes
Overload protection		yes
Measuring/setting range		
Measuring range		0...500 psi 0...3450 kPa
Accuracy / deviations		
Repeatability	[% of the span]	< ± 0,05; (with temperature fluctuations < 10 K)
Characteristics deviation	[% of the span]	< ± 0,5; (incl. drift when overtightened, zero point and span error, non-linearity, hysteresis)
Linearity deviation	[% of the span]	< ± 0,1 (BFSL) / < ± 0,2 (LS)
Hysteresis deviation	[% of the span]	< ± 0,2
Long-term stability	[% of the span]	< ± 0,1; (per 6 months)
Temperature coefficient zero point and span	[% of the span / 10 K]	< 0,1 (-25...90 °C) / < 0,2 (-40...-25 °C)
Reaction times		
Step response time analog output	[ms]	1
Operating conditions		
Ambient temperature	[°C]	-40...90
Storage temperature	[°C]	-40...100
Protection		IP 67; IP 69K
Tests / approvals		
EMC		DIN EN 61000-6-2 DIN EN 61000-6-3
Shock resistance		50 g (11 ms)
Vibration resistance		20 g (10...2000 Hz)
MTTF	[years]	784
Pressure equipment directive		sound engineering practice; can be used for group 2 fluids; group 1 fluids on request
Mechanical data		
Weight	[g]	57.5
Housing		tubular
Dimensions	[mm]	Ø 18.9 / L = 66.9
Material		stainless steel (630/1.4542/17-4 PH); stainless steel (1.4404 / 316L); PEI
Materials (wetted parts)		stainless steel (630/1.4542/17-4 PH)
Min. pressure cycles		60 million; (at 1.2 times nominal pressure)
Tightening torque	[Nm]	< 50; (recommended tightening torque; Depends on lubrication, seal and pressure rating)
Process connection		threaded connection 1/4" NPT external thread
Restrictor element integrated		no (can be retrofitted)

PT2443



Pressure transmitter

PT-050PSEN14-A-ZVG/US/ IW

Remarks

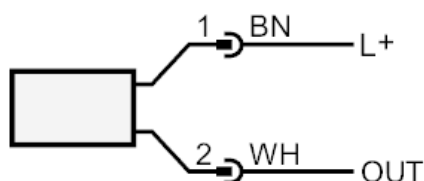
Remarks	BFSL = Best Fit Straight Line LS = limit value setting
Pack quantity	1 pcs.

Electrical connection

Connector: 1 x M12; coding: A



Connection



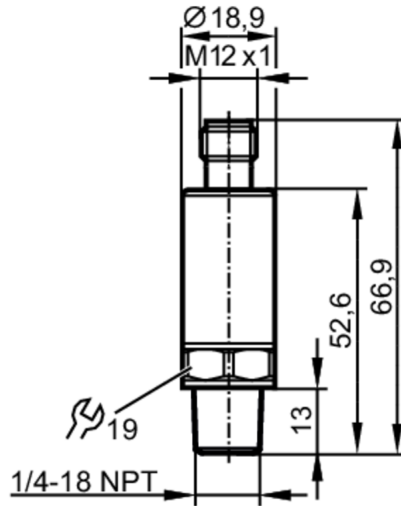
OUT analog output
 Colors to DIN EN 60947-5-2
 Core colors :
BN = brown
WH = white

PT2494



Pressure transmitter

PT-020PSEN14-A-ZVG/US/ IW



Product characteristics

Number of inputs and outputs	Number of analog outputs: 1	
Measuring range	-14.5...200 psi	-100...1380 kPa
Process connection	threaded connection 1/4" NPT external thread	

Application

Application	for industrial applications	
Media	liquids and gases	
Medium temperature [°C]	-40...90	
Min. burst pressure	6525 psi	45 MPa
Pressure rating	580 psi	4 MPa
Note on pressure rating	static	
Vacuum resistance	-14.5 psi	-0.1 MPa
Type of pressure	relative pressure; vacuum	
MAWP (for applications according to CRN) [psi]	580	

Electrical data

Operating voltage [V]	8.5...36 DC	
Min. insulation resistance [MΩ]	100; (500 V DC)	
Protection class	III	
Reverse polarity protection	yes	
Power-on delay time [s]	< 0.1	

Inputs / outputs

Number of inputs and outputs	Number of analog outputs: 1
------------------------------	-----------------------------

Outputs

Total number of outputs	1
Output signal	analog signal
Number of analog outputs	1

PT2494



Pressure transmitter

PT-020PSEN14-A-ZVG/US/ IW

Analog current output	[mA]	4...20
Max. load	[Ω]	($U_b - 8,5 \text{ V}$) / 21,5 mA; @8,5V= 0 Ω; @12V max. 160 Ω; @24V max. 720 Ω
Short-circuit proof		yes
Overload protection		yes
Measuring/setting range		
Measuring range		-14.5...200 psi -100...1380 kPa
Accuracy / deviations		
Repeatability	[% of the span]	< ± 0,05; (with temperature fluctuations < 10 K)
Characteristics deviation	[% of the span]	< ± 0,5; (incl. drift when overtightened, zero point and span error, non-linearity, hysteresis)
Linearity deviation	[% of the span]	< ± 0,1 (BFSL) / < ± 0,2 (LS)
Hysteresis deviation	[% of the span]	< ± 0,2
Long-term stability	[% of the span]	< ± 0,1; (per 6 months)
Temperature coefficient zero point and span	[% of the span / 10 K]	< 0,1 (-25...90 °C) / < 0,2 (-40...-25 °C)
Reaction times		
Step response time analog output	[ms]	1
Operating conditions		
Ambient temperature	[°C]	-40...90
Storage temperature	[°C]	-40...100
Protection		IP 67; IP 69K
Tests / approvals		
EMC		DIN EN 61000-6-2 DIN EN 61000-6-3
Shock resistance		50 g (11 ms)
Vibration resistance		20 g (10...2000 Hz)
MTTF	[years]	787
UL approval		UL approval number J027
Pressure equipment directive		sound engineering practice; can be used for group 2 fluids; group 1 fluids on request
Mechanical data		
Weight	[g]	58
Housing		tubular
Dimensions	[mm]	Ø 18.9 / L = 66.9
Material		stainless steel (630/1.4542/17-4 PH); stainless steel (1.4404 / 316L); PEI
Materials (wetted parts)		stainless steel (630/1.4542/17-4 PH)
Min. pressure cycles		60 million; (at 1.2 times nominal pressure)
Tightening torque	[Nm]	< 50; (recommended tightening torque; Depends on lubrication, seal and pressure rating)
Process connection		threaded connection 1/4" NPT external thread
Restrictor element integrated		no (can be retrofitted)

PT2494



Pressure transmitter

PT-020PSEN14-A-ZVG/US/ IW

Remarks

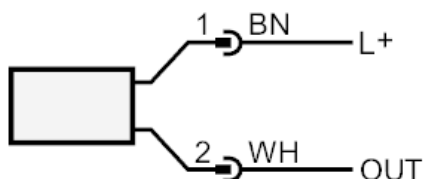
Remarks	BFSL = Best Fit Straight Line LS = limit value setting
Pack quantity	1 pcs.

Electrical connection

Connector: 1 x M12; coding: A



Connection



OUT analog output
 Colors to DIN EN 60947-5-2
 Core colors :
BN = brown
WH = white

PT3540



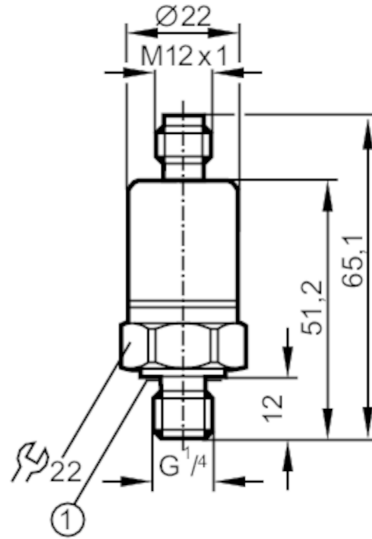
Pressure transmitter

PT-400-SBG14-A-ZVG/US/ IW

Article to be discontinued

Alternative articles: PT5400

When selecting an alternative article and accessories please note that technical data may differ!



1 sealing
Tightening torque 25 Nm



Product characteristics

Number of inputs and outputs	Number of analog outputs: 1		
Measuring range	0...400 bar	0...5800 psi	0...40 MPa
Process connection	threaded connection G 1/4 external thread		

Application

Application	for industrial applications		
Media	liquids and gases		
Medium temperature [°C]	-25...90		
Min. burst pressure	1600 bar	23200 psi	160 MPa
Pressure rating	600 bar	8700 psi	60 MPa
Type of pressure	relative pressure		

Electrical data

Operating voltage [V]	8.5...36 DC		
Min. insulation resistance [MΩ]	100; (500 V DC)		
Protection class	III		
Reverse polarity protection	yes		

Inputs / outputs

Number of inputs and outputs	Number of analog outputs: 1		
------------------------------	-----------------------------	--	--

Outputs

Total number of outputs	1		
Output signal	analog signal		

PT3540



Pressure transmitter

PT-400-SBG14-A-ZVG/US/ IW

Number of analog outputs	1
Analog current output [mA]	4...20
Max. load [Ω]	775; ($U_b = 24\text{ V}$; ($U_b - 8,5\text{ V}$) / 20 mA)

Measuring/setting range

Measuring range	0...400 bar	0...5800 psi	0...40 MPa
-----------------	-------------	--------------	------------

Accuracy / deviations

Repeatability [% of the span]	$< \pm 0,1$; (with temperature fluctuations $< 10\text{ K}$)
Characteristics deviation [% of the span]	$< \pm 1,0$; (incl. drift due to tightening torque, zero and span error)
Linearity deviation [% of the span]	$< \pm 0,25$ (BFSL) / $< \pm 0,5$ (LS)
Hysteresis deviation [% of the span]	$< \pm 0,2$
Long-term stability [% of the span]	$< \pm 0,1$; (per 6 months)
Temperature coefficient zero point [% of the span / 10 K]	$< \pm 0,1$; ($-25...90\text{ }^\circ\text{C}$)
Temperature coefficient span [% of the span / 10 K]	$< \pm 0,1$; ($-25...90\text{ }^\circ\text{C}$)

Reaction times

Step response time analog output [ms]	3
---------------------------------------	---

Operating conditions

Ambient temperature [$^\circ\text{C}$]	$-25...90$
Storage temperature [$^\circ\text{C}$]	$-40...100$
Protection	IP 67; IP 69K

Tests / approvals

EMC	EN 61000-4-2 ESD	4 kV CD / 8 kV AD
	EN 61000-4-3 HF radiated	10 V/m
	EN 61000-4-4 Burst	4 kV coupling clamp
	EN 61000-4-5 Surge	1 kV signal for DC units
	EN 61000-4-6 HF conducted	10 V
	Shock resistance	DIN IEC 68-2-27
Vibration resistance	DIN IEC 68-2-6	20 g (10...2000 Hz)
MTTF [years]		1579
Pressure equipment directive	sound engineering practice; can be used for group 2 fluids; group 1 fluids on request	

Mechanical data

Weight [g]	83
Housing	tubular
Dimensions [mm]	$\varnothing 22 / L = 65,1$
Material	stainless steel (1.4404 / 316L); PA
Materials (wetted parts)	stainless steel (1.4404 / 316L); sealing: FKM
Min. pressure cycles	50 million
Process connection	threaded connection G 1/4 external thread

PT3540



Pressure transmitter

PT-400-SBG14-A-ZVG/US/ IW

Restrictor element integrated | no (can be retrofitted)

Remarks

Remarks | BFSL = Best Fit Straight Line

LS = limit value setting

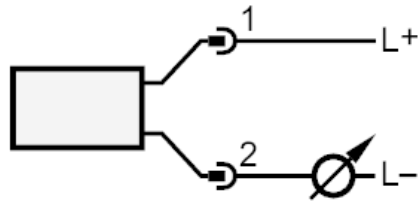
Pack quantity | 1 pcs.

Electrical connection

Connector: 1 x M12; coding: A



Connection



PT3541



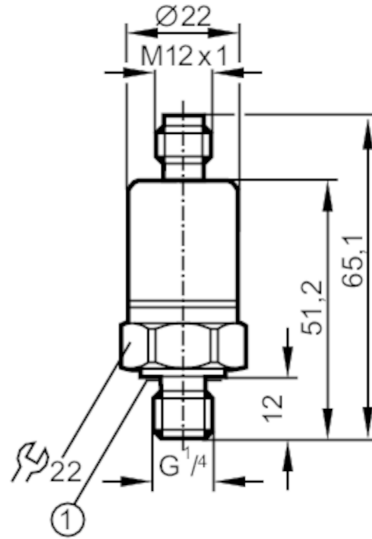
Pressure transmitter

PT-250-SBG14-A-ZVG/US/ IW

Article to be discontinued

Alternative articles: PT5401

When selecting an alternative article and accessories please note that technical data may differ!



1 sealing
Tightening torque 25 Nm



Product characteristics

Number of inputs and outputs	Number of analog outputs: 1		
Measuring range	0...250 bar	0...3625 psi	0...25 MPa
Process connection	threaded connection G 1/4 external thread		

Application

Application	for industrial applications		
Media	liquids and gases		
Medium temperature [°C]	-25...90		
Min. burst pressure	1000 bar	14500 psi	100 MPa
Pressure rating	400 bar	5800 psi	40 MPa
Type of pressure	relative pressure		

Electrical data

Operating voltage [V]	8.5...36 DC		
Min. insulation resistance [MΩ]	100; (500 V DC)		
Protection class	III		
Reverse polarity protection	yes		

Inputs / outputs

Number of inputs and outputs	Number of analog outputs: 1		
------------------------------	-----------------------------	--	--

Outputs

Total number of outputs	1		
Output signal	analog signal		

PT3541



Pressure transmitter

PT-250-SBG14-A-ZVG/US/ IW

Number of analog outputs	1
Analog current output [mA]	4...20
Max. load [Ω]	775; ($U_b = 24\text{ V}$; ($U_b - 8,5\text{ V}$) / 20 mA)

Measuring/setting range

Measuring range	0...250 bar	0...3625 psi	0...25 MPa
-----------------	-------------	--------------	------------

Accuracy / deviations

Repeatability [% of the span]	$< \pm 0,1$; (with temperature fluctuations $< 10\text{ K}$)
Characteristics deviation [% of the span]	$< \pm 1,0$; (incl. drift due to tightening torque, zero and span error)
Linearity deviation [% of the span]	$< \pm 0,25$ (BFSL) / $< \pm 0,5$ (LS)
Hysteresis deviation [% of the span]	$< \pm 0,2$
Long-term stability [% of the span]	$< \pm 0,1$; (per 6 months)
Temperature coefficient zero point [% of the span / 10 K]	$< \pm 0,1$; ($-25...90\text{ }^\circ\text{C}$)
Temperature coefficient span [% of the span / 10 K]	$< \pm 0,1$; ($-25...90\text{ }^\circ\text{C}$)

Reaction times

Step response time analog output [ms]	3
---------------------------------------	---

Operating conditions

Ambient temperature [$^\circ\text{C}$]	$-25...90$
Storage temperature [$^\circ\text{C}$]	$-40...100$
Protection	IP 67; IP 69K

Tests / approvals

EMC	EN 61000-4-2 ESD	4 kV CD / 8 kV AD
	EN 61000-4-3 HF radiated	10 V/m
	EN 61000-4-4 Burst	4 kV coupling clamp
	EN 61000-4-5 Surge	1 kV signal for DC units
	EN 61000-4-6 HF conducted	10 V
	Shock resistance	DIN IEC 68-2-27
Vibration resistance	DIN IEC 68-2-6	20 g (10...2000 Hz)
MTTF [years]		1579
Pressure equipment directive	sound engineering practice; can be used for group 2 fluids; group 1 fluids on request	

Mechanical data

Weight [g]	82.5
Housing	tubular
Dimensions [mm]	$\varnothing 22 / L = 65.1$
Material	stainless steel (1.4404 / 316L); PA
Materials (wetted parts)	stainless steel (1.4404 / 316L); sealing: FKM
Min. pressure cycles	50 million
Process connection	threaded connection G 1/4 external thread

PT3541



Pressure transmitter

PT-250-SBG14-A-ZVG/US/ IW

Restrictor element integrated | no (can be retrofitted)

Remarks

Remarks | BFSL = Best Fit Straight Line

LS = limit value setting

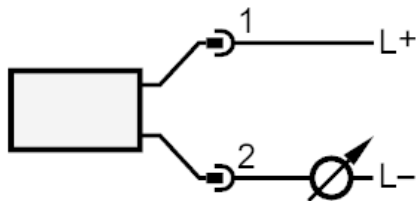
Pack quantity | 1 pcs.

Electrical connection

Connector: 1 x M12; coding: A



Connection



PT3542



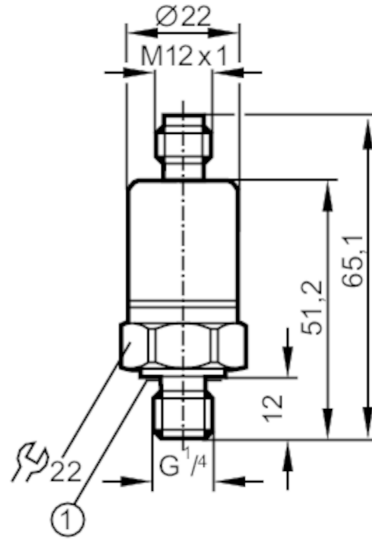
Pressure transmitter

PT-100-SBG14-A-ZVG/US/ IW

Article to be discontinued

Alternative articles: PT5402

When selecting an alternative article and accessories please note that technical data may differ!



1 sealing
Tightening torque 25 Nm



Product characteristics

Number of inputs and outputs	Number of analog outputs: 1		
Measuring range	0...100 bar	0...1450 psi	0...10 MPa
Process connection	threaded connection G 1/4 external thread		

Application

Application	for industrial applications		
Media	liquids and gases		
Medium temperature [°C]	-25...90		
Min. burst pressure	1000 bar	14500 psi	100 MPa
Pressure rating	200 bar	2900 psi	20 MPa
Type of pressure	relative pressure		

Electrical data

Operating voltage [V]	8.5...36 DC		
Min. insulation resistance [MΩ]	100; (500 V DC)		
Protection class	III		
Reverse polarity protection	yes		

Inputs / outputs

Number of inputs and outputs	Number of analog outputs: 1		
------------------------------	-----------------------------	--	--

Outputs

Total number of outputs	1		
Output signal	analog signal		

PT3542



Pressure transmitter

PT-100-SBG14-A-ZVG/US/ IW

Number of analog outputs	1		
Analog current output [mA]	4...20		
Max. load [Ω]	775; (U _b = 24 V; (U _b - 8,5 V) / 20 mA)		
Measuring/setting range			
Measuring range	0...100 bar	0...1450 psi	0...10 MPa
Accuracy / deviations			
Repeatability [% of the span]	< ± 0,1; (with temperature fluctuations < 10 K)		
Characteristics deviation [% of the span]	< ± 1,0; (incl. drift due to tightening torque, zero and span error)		
Linearity deviation [% of the span]	< ± 0,25 (BFSL) / < ± 0,5 (LS)		
Hysteresis deviation [% of the span]	< ± 0,2		
Long-term stability [% of the span]	< ± 0,1; (per 6 months)		
Temperature coefficient zero point [% of the span / 10 K]	< ± 0,1; (-25...90 °C)		
Temperature coefficient span [% of the span / 10 K]	< ± 0,1; (-25...90 °C)		
Reaction times			
Step response time analog output [ms]	3		
Operating conditions			
Ambient temperature [°C]	-25...90		
Storage temperature [°C]	-40...100		
Protection	IP 67; IP 69K		
Tests / approvals			
EMC	EN 61000-4-2 ESD	4 kV CD / 8 kV AD	
	EN 61000-4-3 HF radiated	10 V/m	
	EN 61000-4-4 Burst	4 kV coupling clamp	
	EN 61000-4-5 Surge	1 kV signal for DC units	
	EN 61000-4-6 HF conducted	10 V	
	Shock resistance	DIN IEC 68-2-27	50 g (11 ms)
Vibration resistance	DIN IEC 68-2-6	20 g (10...2000 Hz)	
MTTF [years]	1579		
Pressure equipment directive	sound engineering practice; can be used for group 2 fluids; group 1 fluids on request		
Mechanical data			
Weight [g]	81.5		
Housing	tubular		
Dimensions [mm]	Ø 22 / L = 65.1		
Material	stainless steel (1.4404 / 316L); PA		
Materials (wetted parts)	stainless steel (1.4404 / 316L); sealing: FKM		
Min. pressure cycles	50 million		
Process connection	threaded connection G 1/4 external thread		

PT3542



Pressure transmitter

PT-100-SBG14-A-ZVG/US/ IW

Restrictor element integrated | no (can be retrofitted)

Remarks

Remarks | BFSL = Best Fit Straight Line

LS = limit value setting

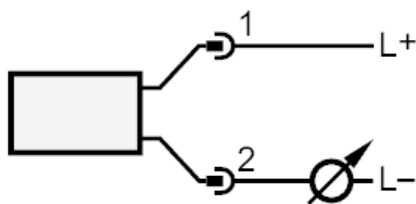
Pack quantity | 1 pcs.

Electrical connection

Connector: 1 x M12; coding: A



Connection



PT3543



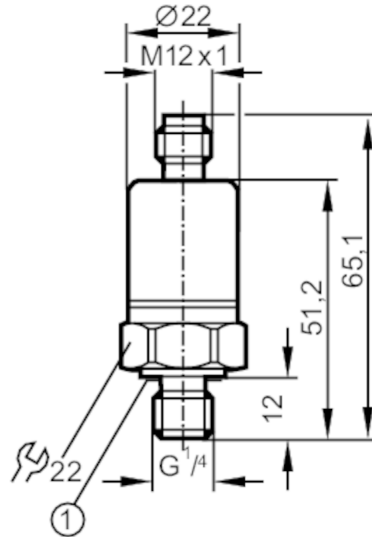
Pressure transmitter

PT-025-SBG14-A-ZVG/US/ IW

Article to be discontinued

Alternative articles: PT5403

When selecting an alternative article and accessories please note that technical data may differ!



1 sealing
Tightening torque 25 Nm



Product characteristics

Number of inputs and outputs	Number of analog outputs: 1		
Measuring range	0...25 bar	0...363 psi	0...2.5 MPa
Process connection	threaded connection G 1/4 external thread		

Application

Application	for industrial applications		
Media	liquids and gases		
Medium temperature [°C]	-25...90		
Min. burst pressure	600 bar	7253 psi	60 MPa
Pressure rating	60 bar	870 psi	6 MPa
Type of pressure	relative pressure		

Electrical data

Operating voltage [V]	8.5...36 DC		
Min. insulation resistance [MΩ]	100; (500 V DC)		
Protection class	III		
Reverse polarity protection	yes		

Inputs / outputs

Number of inputs and outputs	Number of analog outputs: 1		
------------------------------	-----------------------------	--	--

Outputs

Total number of outputs	1		
Output signal	analog signal		

PT3543



Pressure transmitter

PT-025-SBG14-A-ZVG/US/ IW

Number of analog outputs	1
Analog current output [mA]	4...20
Max. load [Ω]	775; ($U_b = 24\text{ V}$; ($U_b - 8,5\text{ V}$) / 20 mA)

Measuring/setting range

Measuring range	0...25 bar	0...363 psi	0...2.5 MPa
-----------------	------------	-------------	-------------

Accuracy / deviations

Repeatability [% of the span]	$< \pm 0,1$; (with temperature fluctuations $< 10\text{ K}$)
Characteristics deviation [% of the span]	$< \pm 1,8$; (incl. drift due to tightening torque, zero and span error)
Linearity deviation [% of the span]	$< \pm 0,25$ (BFSL) / $< \pm 0,5$ (LS)
Hysteresis deviation [% of the span]	$< \pm 0,2$
Long-term stability [% of the span]	$< \pm 0,1$; (per 6 months)
Temperature coefficient zero point [% of the span / 10 K]	$< \pm 0,1$; ($-25...90\text{ }^\circ\text{C}$)
Temperature coefficient span [% of the span / 10 K]	$< \pm 0,1$; ($-25...90\text{ }^\circ\text{C}$)

Reaction times

Step response time analog output [ms]	3
---------------------------------------	---

Operating conditions

Ambient temperature [$^\circ\text{C}$]	$-25...90$
Storage temperature [$^\circ\text{C}$]	$-40...100$
Protection	IP 67; IP 69K

Tests / approvals

EMC	EN 61000-4-2 ESD	4 kV CD / 8 kV AD
	EN 61000-4-3 HF radiated	10 V/m
	EN 61000-4-4 Burst	4 kV coupling clamp
	EN 61000-4-5 Surge	1 kV signal for DC units
	EN 61000-4-6 HF conducted	10 V
	Shock resistance	DIN IEC 68-2-27
Vibration resistance	DIN IEC 68-2-6	20 g (10...2000 Hz)
MTTF [years]		1579
Pressure equipment directive	sound engineering practice; can be used for group 2 fluids; group 1 fluids on request	

Mechanical data

Weight [g]	81.6
Housing	tubular
Dimensions [mm]	$\varnothing 22 / L = 65.1$
Material	stainless steel (1.4404 / 316L); PA
Materials (wetted parts)	stainless steel (1.4404 / 316L); sealing: FKM
Min. pressure cycles	50 million
Process connection	threaded connection G 1/4 external thread

PT3543



Pressure transmitter

PT-025-SBG14-A-ZVG/US/ IW

Restrictor element integrated | no (can be retrofitted)

Remarks

Remarks | BFSL = Best Fit Straight Line

LS = limit value setting

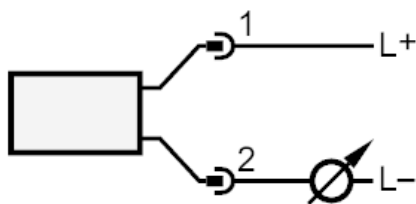
Pack quantity | 1 pcs.

Electrical connection

Connector: 1 x M12; coding: A



Connection



PT3544



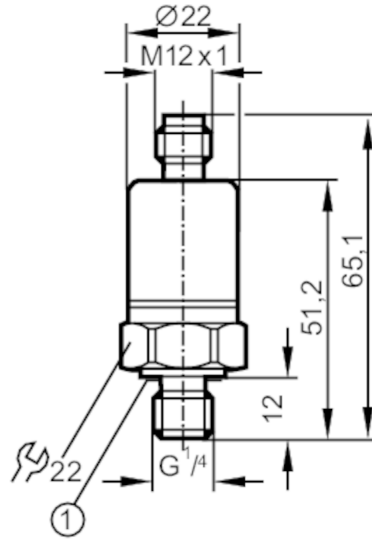
Pressure transmitter

PT-010-RBG14-A-ZVG/US/ IW

Article to be discontinued

Alternative articles: PT5404

When selecting an alternative article and accessories please note that technical data may differ!



1 sealing
Tightening torque 25 Nm



Product characteristics

Number of inputs and outputs	Number of analog outputs: 1		
Measuring range	0...10 bar	0...145 psi	0...1000 kPa
Process connection	threaded connection G 1/4 external thread		

Application

Application	for industrial applications		
Media	liquids and gases		
Medium temperature [°C]	-25...90		
Min. burst pressure	300 bar	4350 psi	30 MPa
Pressure rating	25 bar	362 psi	2.5 MPa
Type of pressure	relative pressure		

Electrical data

Operating voltage [V]	8.5...36 DC
Min. insulation resistance [MΩ]	100; (500 V DC)
Protection class	III
Reverse polarity protection	yes

Inputs / outputs

Number of inputs and outputs	Number of analog outputs: 1
------------------------------	-----------------------------

Outputs

Total number of outputs	1
Output signal	analog signal

PT3544



Pressure transmitter

PT-010-RBG14-A-ZVG/US/ IW

Number of analog outputs	1
Analog current output [mA]	4...20
Max. load [Ω]	775; ($U_b = 24\text{ V}$; ($U_b - 8,5\text{ V}$) / 20 mA)

Measuring/setting range

Measuring range	0...10 bar	0...145 psi	0...1000 kPa	0...1 MPa
-----------------	------------	-------------	--------------	-----------

Accuracy / deviations

Repeatability [% of the span]	< $\pm 0,1$; (with temperature fluctuations < 10 K)
Characteristics deviation [% of the span]	< $\pm 1,0$; (incl. drift due to tightening torque, zero and span error)
Linearity deviation [% of the span]	< $\pm 0,25$ (BFSL) / < $\pm 0,5$ (LS)
Hysteresis deviation [% of the span]	< $\pm 0,2$
Long-term stability [% of the span]	< $\pm 0,1$; (per 6 months)
Temperature coefficient zero point [% of the span / 10 K]	< $\pm 0,1$; (-25...90 °C)
Temperature coefficient span [% of the span / 10 K]	< $\pm 0,1$; (-25...90 °C)

Reaction times

Step response time analog output [ms]	3
---------------------------------------	---

Operating conditions

Ambient temperature [°C]	-25...90
Storage temperature [°C]	-40...100
Protection	IP 67; IP 69K

Tests / approvals

EMC	EN 61000-4-2 ESD	4 kV CD / 8 kV AD
	EN 61000-4-3 HF radiated	10 V/m
	EN 61000-4-4 Burst	4 kV coupling clamp
	EN 61000-4-5 Surge	1 kV signal for DC units
	EN 61000-4-6 HF conducted	10 V
	Shock resistance	DIN IEC 68-2-27
Vibration resistance	DIN IEC 68-2-6	20 g (10...2000 Hz)
MTTF [years]		1579
Pressure equipment directive	sound engineering practice; can be used for group 2 fluids; group 1 fluids on request	

Mechanical data

Weight [g]	85
Housing	tubular
Dimensions [mm]	$\varnothing 22$ / L = 65.1
Material	stainless steel (1.4404 / 316L); PA
Materials (wetted parts)	stainless steel (1.4404 / 316L); sealing: FKM
Min. pressure cycles	50 million
Process connection	threaded connection G 1/4 external thread

PT3544



Pressure transmitter

PT-010-RBG14-A-ZVG/US/ IW

Restrictor element integrated | no (can be retrofitted)

Remarks

Remarks | BFSL = Best Fit Straight Line

LS = limit value setting

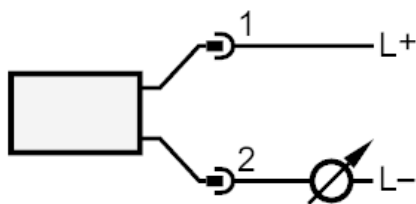
Pack quantity | 1 pcs.

Electrical connection

Connector: 1 x M12; coding: A



Connection

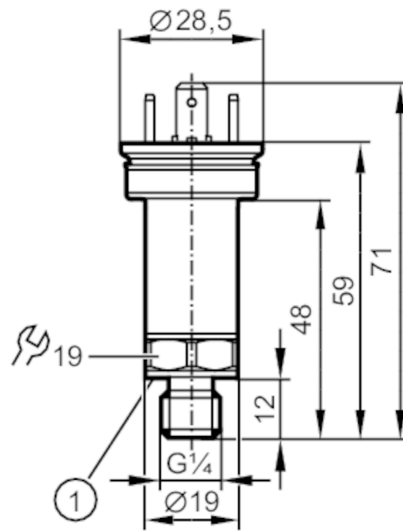


PT5000



Pressure transmitter

PT-400-SEG14-A-ZVG/VE



1 sealing



Product characteristics

Number of inputs and outputs	Number of analog outputs: 1		
Measuring range	0...400 bar	0...5800 psi	0...40 MPa
Process connection	threaded connection G 1/4 external thread (DIN EN ISO 1179-2)		

Application

Measuring element	metallic thin film cell		
Application	for mobile applications; for industrial applications		
Media	liquids and gases		
Medium temperature [°C]	-40...125		
Min. burst pressure	1700 bar	24655 psi	170 MPa
Pressure rating	1000 bar	14500 psi	100 MPa
Note on pressure rating	static		
Vacuum resistance	-1000 mbar	-0.1 MPa	
Type of pressure	relative pressure		

Electrical data

Operating voltage [V]	8...36 DC		
Min. insulation resistance [MΩ]	100; (500 V DC)		
Protection class	III		
Reverse polarity protection	yes		
Power-on delay time [s]	< 0.1		

Inputs / outputs

Number of inputs and outputs	Number of analog outputs: 1		
------------------------------	-----------------------------	--	--

Outputs

Total number of outputs	1		
Output signal	analog signal		
Number of analog outputs	1		

PT5000



Pressure transmitter

PT-400-SEG14-A-ZVG/VE

Analog current output	[mA]	4...20
Max. load	[Ω]	($U_b - 8\text{ V}$) / 21,5 mA ; @8V= 0 Ω ; @12V max. 200 Ω; @24V max. 750 Ω
Short-circuit proof		yes
Overload protection		yes

Measuring/setting range

Measuring range	0...400 bar	0...5800 psi	0...40 MPa
-----------------	-------------	--------------	------------

Accuracy / deviations

Repeatability	[% of the span]	< ± 0,05; (with temperature fluctuations < 10 K)
Characteristics deviation	[% of the span]	< ± 0,5; (incl. drift when overtightened, zero point and span error, non-linearity, hysteresis)
Linearity deviation	[% of the span]	< ± 0,1 (BFSL) / < ± 0,2 (LS)
Hysteresis deviation	[% of the span]	< ± 0,2
Long-term stability	[% of the span]	< ± 0,1; (per 6 months)
Temperature coefficient zero point	[% of the span / 10 K]	< ± 0,1 (0...80 °C); < ± 0,2 (-40...0 °C / 80...125 °C)
Temperature coefficient span	[% of the span / 10 K]	< ± 0,1 (0...80 °C); < ± 0,2 (-40...0 °C / 80...125 °C)

Reaction times

Step response time analog output	[ms]	2
----------------------------------	------	---

Operating conditions

Ambient temperature	[°C]	-40...100
Storage temperature	[°C]	-40...100
Protection		IP 67

Tests / approvals

EMC	Compliant with ECE R 10, rev. 5	(E1 compliant)
	DIN EN ISO 13766-1 : 2018	earth-moving and construction machines
	DIN EN ISO 14982 : 2009	agricultural and forestry machines
	ISO 11452-2	100 V/m
	ISO 7637-2 : 2011 pulse 1	Test severity III. function state C
	ISO 7637-2 : 2011 pulse 2b	test severity IV. function state C
	DIN EN 61326-1	
Shock resistance	DIN EN 60068-2-27	500 g (1 ms)
Vibration resistance	DIN EN 60068-2-6	20 g (10...2000 Hz)
MTTF	[years]	715
UL approval	UL approval number	J043
	File number UL	E174189
Pressure equipment directive	sound engineering practice; can be used for group 2 fluids; group 1 fluids on request	

Mechanical data

Weight	[g]	67.5
Housing		tubular
Dimensions	[mm]	Ø 19 / L = 71

PT5000



Pressure transmitter

PT-400-SEG14-A-ZVG/VE

Material	stainless steel (630/1.4542/17-4 PH); stainless steel (1.4404 / 316L); PPS
Materials (wetted parts)	stainless steel (630/1.4542/17-4 PH); stainless steel (1.4305 / 303)
Min. pressure cycles	60 million; (at 1.2 times nominal pressure)
Tightening torque [Nm]	25...35; (recommended tightening torque; Depends on lubrication, seal and pressure rating)
Process connection	threaded connection G 1/4 external thread (DIN EN ISO 1179-2)
Process connection sealing	FKM (DIN EN ISO 1179-2)
Restrictor element integrated	yes

Remarks

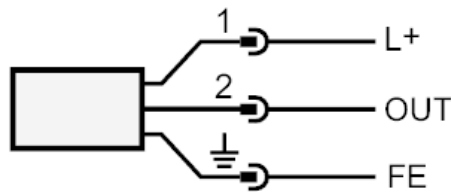
Remarks	BFSL = Best Fit Straight Line LS = limit value setting
Pack quantity	1 pcs.

Electrical connection

Connector: 1 x valve plug type A DIN (EN175301-803-A)



Connection



OUT	analog output
FE	functional earth

PT5000

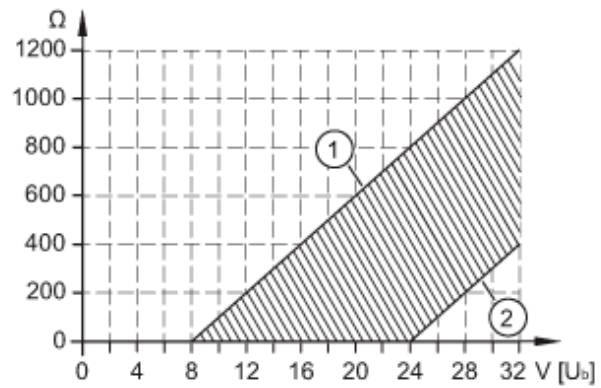


Pressure transmitter

PT-400-SEG14-A-ZVG/VE

Diagrams and graphs

Characteristic load curve current output



1: Max. load

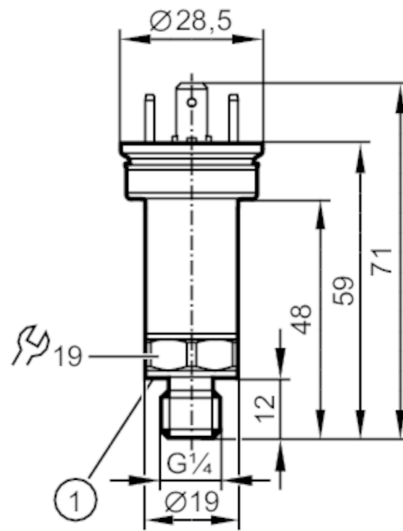
2: Min. load

PT5001



Pressure transmitter

PT-250-SEG14-A-ZVG/VE



1 sealing



Product characteristics

Number of inputs and outputs	Number of analog outputs: 1		
Measuring range	0...250 bar	0...3625 psi	0...25 MPa
Process connection	threaded connection G 1/4 external thread (DIN EN ISO 1179-2)		

Application

Measuring element	metallic thin film cell		
Application	for mobile applications; for industrial applications		
Media	liquids and gases		
Medium temperature [°C]	-40...125		
Min. burst pressure	1200 bar	17400 psi	120 MPa
Pressure rating	625 bar	9060 psi	62.5 MPa
Note on pressure rating	static		
Vacuum resistance	-1000 mbar	-0.1 MPa	
Type of pressure	relative pressure		

Electrical data

Operating voltage [V]	8...36 DC		
Min. insulation resistance [MΩ]	100; (500 V DC)		
Protection class	III		
Reverse polarity protection	yes		
Power-on delay time [s]	< 0.1		

Inputs / outputs

Number of inputs and outputs	Number of analog outputs: 1		
------------------------------	-----------------------------	--	--

Outputs

Total number of outputs	1		
Output signal	analog signal		
Number of analog outputs	1		

PT5001



Pressure transmitter

PT-250-SEG14-A-ZVG/VE

Analog current output	[mA]	4...20
Max. load	[Ω]	(U _b - 8 V) / 21,5 mA ; @8V= 0 Ω ; @12V max. 200 Ω; @24V max. 750 Ω
Short-circuit proof		yes
Overload protection		yes

Measuring/setting range

Measuring range	0...250 bar	0...3625 psi	0...25 MPa
-----------------	-------------	--------------	------------

Accuracy / deviations

Repeatability	[% of the span]	< ± 0,05; (with temperature fluctuations < 10 K)
Characteristics deviation	[% of the span]	< ± 0,5; (incl. drift when overtightened, zero point and span error, non-linearity, hysteresis)
Linearity deviation	[% of the span]	< ± 0,1 (BFSL) / < ± 0,2 (LS)
Hysteresis deviation	[% of the span]	< ± 0,2
Long-term stability	[% of the span]	< ± 0,1; (per 6 months)
Temperature coefficient zero point	[% of the span / 10 K]	< ± 0,1 (0...80 °C); < ± 0,2 (-40...0 °C / 80...125 °C)
Temperature coefficient span	[% of the span / 10 K]	< ± 0,1 (0...80 °C); < ± 0,2 (-40...0 °C / 80...125 °C)

Reaction times

Step response time analog output	[ms]	2
----------------------------------	------	---

Operating conditions

Ambient temperature	[°C]	-40...100
Storage temperature	[°C]	-40...100
Protection		IP 67

Tests / approvals

EMC	Compliant with ECE R 10, rev. 5	(E1 compliant)
	DIN EN ISO 13766-1 : 2018	earth-moving and construction machines
	DIN EN ISO 14982 : 2009	agricultural and forestry machines
	ISO 11452-2	100 V/m
	ISO 7637-2 : 2011 pulse 1	Test severity III. function state C
	ISO 7637-2 : 2011 pulse 2b	test severity IV. function state C
	DIN EN 61326-1	
Shock resistance	DIN EN 60068-2-27	500 g (1 ms)
Vibration resistance	DIN EN 60068-2-6	20 g (10...2000 Hz)
MTTF	[years]	715
UL approval	UL approval number	J033
	File number UL	E174189
Pressure equipment directive	sound engineering practice; can be used for group 2 fluids; group 1 fluids on request	

Mechanical data

Weight	[g]	67.5
Housing		tubular
Dimensions	[mm]	Ø 19 / L = 71

PT5001



Pressure transmitter

PT-250-SEG14-A-ZVG/VE

Material	stainless steel (630/1.4542/17-4 PH); stainless steel (1.4404 / 316L); PPS
Materials (wetted parts)	stainless steel (630/1.4542/17-4 PH); stainless steel (1.4305 / 303)
Min. pressure cycles	60 million; (at 1.2 times nominal pressure)
Tightening torque [Nm]	25...35; (recommended tightening torque; Depends on lubrication, seal and pressure rating)
Process connection	threaded connection G 1/4 external thread (DIN EN ISO 1179-2)
Process connection sealing	FKM (DIN EN ISO 1179-2)
Restrictor element integrated	yes

Remarks

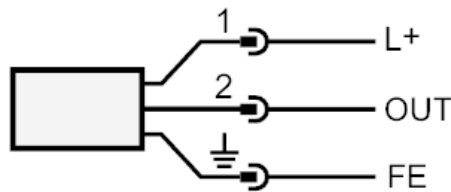
Remarks	BFSL = Best Fit Straight Line LS = limit value setting
Pack quantity	1 pcs.

Electrical connection

Connector: 1 x valve plug type A DIN (EN175301-803-A)



Connection



OUT analog output
FE functional earth

PT5001

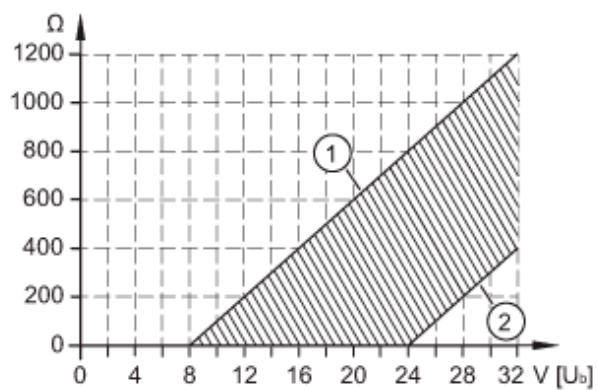


Pressure transmitter

PT-250-SEG14-A-ZVG/VE

Diagrams and graphs

Characteristic load curve current output



1: Max. load

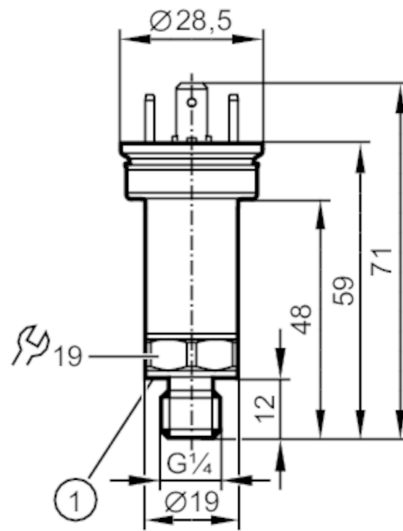
2: Min. load

PT5002



Pressure transmitter

PT-100-SEG14-A-ZVG/VE



1 sealing



Product characteristics

Number of inputs and outputs	Number of analog outputs: 1		
Measuring range	0...100 bar	0...1450 psi	0...10 MPa
Process connection	threaded connection G 1/4 external thread (DIN EN ISO 1179-2)		

Application

Measuring element	metallic thin film cell		
Application	for mobile applications; for industrial applications		
Media	liquids and gases		
Medium temperature [°C]	-40...125		
Min. burst pressure	1000 bar	14500 psi	100 MPa
Pressure rating	250 bar	3625 psi	25 MPa
Note on pressure rating	static		
Vacuum resistance	-1000 mbar	-0.1 MPa	
Type of pressure	relative pressure		

Electrical data

Operating voltage [V]	8...36 DC		
Min. insulation resistance [MΩ]	100; (500 V DC)		
Protection class	III		
Reverse polarity protection	yes		
Power-on delay time [s]	< 0.1		

Inputs / outputs

Number of inputs and outputs	Number of analog outputs: 1		
------------------------------	-----------------------------	--	--

Outputs

Total number of outputs	1		
Output signal	analog signal		
Number of analog outputs	1		

PT5002



Pressure transmitter

PT-100-SEG14-A-ZVG/VE

Analog current output	[mA]	4...20
Max. load	[Ω]	($U_b - 8\text{ V}$) / 21,5 mA ; @8V= 0 Ω ; @12V max. 200 Ω; @24V max. 750 Ω
Short-circuit proof		yes
Overload protection		yes

Measuring/setting range

Measuring range	0...100 bar	0...1450 psi	0...10 MPa
-----------------	-------------	--------------	------------

Accuracy / deviations

Repeatability	[% of the span]	< ± 0,05; (with temperature fluctuations < 10 K)
Characteristics deviation	[% of the span]	< ± 0,5; (incl. drift when overtightened, zero point and span error, non-linearity, hysteresis)
Linearity deviation	[% of the span]	< ± 0,1 (BFSL) / < ± 0,2 (LS)
Hysteresis deviation	[% of the span]	< ± 0,2
Long-term stability	[% of the span]	< ± 0,1; (per 6 months)
Temperature coefficient zero point	[% of the span / 10 K]	< ± 0,1 (0...80 °C); < ± 0,2 (-40...0 °C / 80...125 °C)
Temperature coefficient span	[% of the span / 10 K]	< ± 0,1 (0...80 °C); < ± 0,2 (-40...0 °C / 80...125 °C)

Reaction times

Step response time analog output	[ms]	2
----------------------------------	------	---

Operating conditions

Ambient temperature	[°C]	-40...100
Storage temperature	[°C]	-40...100
Protection		IP 67

Tests / approvals

EMC	Compliant with ECE R 10, rev. 5	(E1 compliant)
	DIN EN ISO 13766-1 : 2018	earth-moving and construction machines
	DIN EN ISO 14982 : 2009	agricultural and forestry machines
	ISO 11452-2	100 V/m
	ISO 7637-2 : 2011 pulse 1	Test severity III. function state C
	ISO 7637-2 : 2011 pulse 2b	test severity IV. function state C
	DIN EN 61326-1	
Shock resistance	DIN EN 60068-2-27	500 g (1 ms)
Vibration resistance	DIN EN 60068-2-6	20 g (10...2000 Hz)
MTTF	[years]	715
UL approval	UL approval number	J032
	File number UL	E174189
Pressure equipment directive	sound engineering practice; can be used for group 2 fluids; group 1 fluids on request	

Mechanical data

Weight	[g]	67.5
Housing		tubular
Dimensions	[mm]	Ø 19 / L = 71

PT5002



Pressure transmitter

PT-100-SEG14-A-ZVG/VE

Material	stainless steel (630/1.4542/17-4 PH); stainless steel (1.4404 / 316L); PPS
Materials (wetted parts)	stainless steel (630/1.4542/17-4 PH); stainless steel (1.4305 / 303)
Min. pressure cycles	60 million; (at 1.2 times nominal pressure)
Tightening torque [Nm]	25...35; (recommended tightening torque; Depends on lubrication, seal and pressure rating)
Process connection	threaded connection G 1/4 external thread (DIN EN ISO 1179-2)
Process connection sealing	FKM (DIN EN ISO 1179-2)
Restrictor element integrated	yes

Remarks

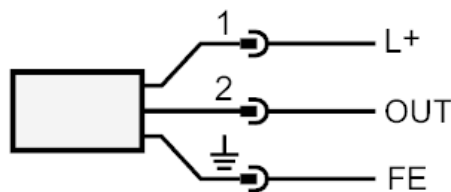
Remarks	BFSL = Best Fit Straight Line LS = limit value setting
Pack quantity	1 pcs.

Electrical connection

Connector: 1 x valve plug type A DIN (EN175301-803-A)



Connection



OUT	analog output
FE	functional earth

PT5002

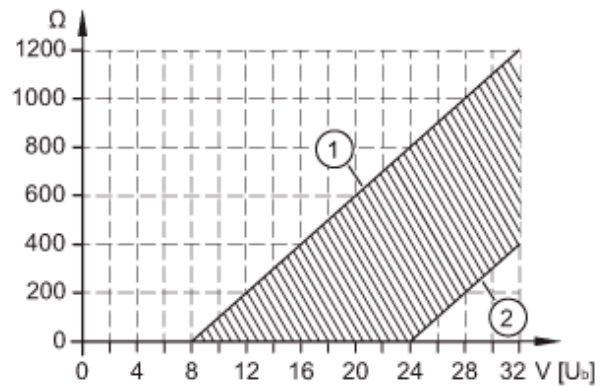


Pressure transmitter

PT-100-SEG14-A-ZVG/VE

Diagrams and graphs

Characteristic load curve current output



1: Max. load

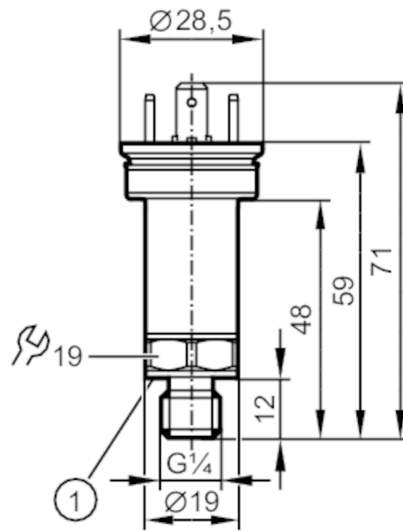
2: Min. load

PT5003



Pressure transmitter

PT-025-SEG14-A-ZVG/VE



1 sealing



Product characteristics

Number of inputs and outputs	Number of analog outputs: 1		
Measuring range	0...25 bar	0...360 psi	0...2.5 MPa
Process connection	threaded connection G 1/4 external thread (DIN EN ISO 1179-2)		

Application

Measuring element	metallic thin film cell		
Application	for mobile applications; for industrial applications		
Media	liquids and gases		
Medium temperature [°C]	-40...125		
Min. burst pressure	600 bar	8700 psi	60 MPa
Pressure rating	65 bar	940 psi	6.5 MPa
Note on pressure rating	static		
Vacuum resistance	-1000 mbar	-0.1 MPa	
Type of pressure	relative pressure		

Electrical data

Operating voltage [V]	8...36 DC		
Min. insulation resistance [MΩ]	100; (500 V DC)		
Protection class	III		
Reverse polarity protection	yes		
Power-on delay time [s]	< 0.1		

Inputs / outputs

Number of inputs and outputs	Number of analog outputs: 1		
------------------------------	-----------------------------	--	--

Outputs

Total number of outputs	1		
Output signal	analog signal		
Number of analog outputs	1		

PT5003



Pressure transmitter

PT-025-SEG14-A-ZVG/VE

Analog current output	[mA]	4...20
Max. load	[Ω]	(U _b - 8 V) / 21,5 mA ; @8V= 0 Ω ; @12V max. 200 Ω; @24V max. 750 Ω
Short-circuit proof		yes
Overload protection		yes

Measuring/setting range

Measuring range	0...25 bar	0...360 psi	0...2.5 MPa
-----------------	------------	-------------	-------------

Accuracy / deviations

Repeatability	[% of the span]	< ± 0,05; (with temperature fluctuations < 10 K)
Characteristics deviation	[% of the span]	< ± 0,5; (incl. drift when overtightened, zero point and span error, non-linearity, hysteresis)
Linearity deviation	[% of the span]	< ± 0,1 (BFSL) / < ± 0,2 (LS)
Hysteresis deviation	[% of the span]	< ± 0,2
Long-term stability	[% of the span]	< ± 0,1; (per 6 months)
Temperature coefficient zero point	[% of the span / 10 K]	< ± 0,1 (0...80 °C); < ± 0,2 (-40...0 °C / 80...125 °C)
Temperature coefficient span	[% of the span / 10 K]	< ± 0,1 (0...80 °C); < ± 0,2 (-40...0 °C / 80...125 °C)

Reaction times

Step response time analog output	[ms]	2
----------------------------------	------	---

Operating conditions

Ambient temperature	[°C]	-40...100
Storage temperature	[°C]	-40...100
Protection		IP 67

Tests / approvals

EMC	Compliant with ECE R 10, rev. 5	(E1 compliant)
	DIN EN ISO 13766-1 : 2018	earth-moving and construction machines
	DIN EN ISO 14982 : 2009	agricultural and forestry machines
	ISO 11452-2	100 V/m
	ISO 7637-2 : 2011 pulse 1	Test severity III. function state C
	ISO 7637-2 : 2011 pulse 2b	test severity IV. function state C
Shock resistance	DIN EN 61326-1	
	DIN EN 60068-2-27	500 g (1 ms)
Vibration resistance	DIN EN 60068-2-6	20 g (10...2000 Hz)
MTTF	[years]	715
UL approval	UL approval number	J032
	File number UL	E174189
Pressure equipment directive	sound engineering practice; can be used for group 2 fluids; group 1 fluids on request	

Mechanical data

Weight	[g]	67
Housing		tubular
Dimensions	[mm]	Ø 19 / L = 71

PT5003



Pressure transmitter

PT-025-SEG14-A-ZVG/VE

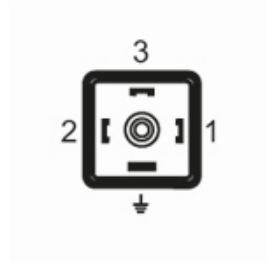
Material	stainless steel (630/1.4542/17-4 PH); stainless steel (1.4404 / 316L); PPS
Materials (wetted parts)	stainless steel (630/1.4542/17-4 PH); stainless steel (1.4305 / 303)
Min. pressure cycles	60 million; (at 1.2 times nominal pressure)
Tightening torque [Nm]	25...35; (recommended tightening torque; Depends on lubrication, seal and pressure rating)
Process connection	threaded connection G 1/4 external thread (DIN EN ISO 1179-2)
Process connection sealing	FKM (DIN EN ISO 1179-2)
Restrictor element integrated	yes

Remarks

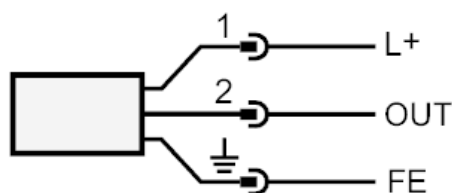
Remarks	BFSL = Best Fit Straight Line LS = limit value setting
Pack quantity	1 pcs.

Electrical connection

Connector: 1 x valve plug type A DIN (EN175301-803-A)



Connection



OUT analog output
FE functional earth

PT5003

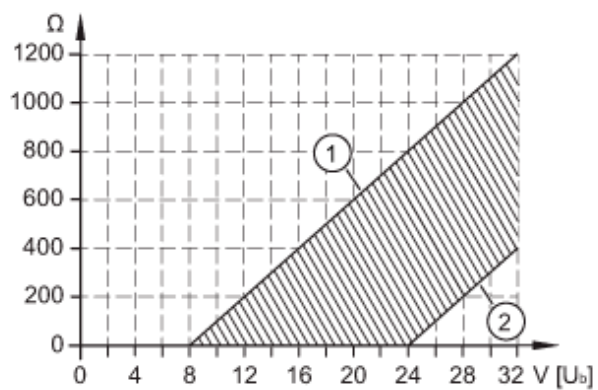


Pressure transmitter

PT-025-SEG14-A-ZVG/VE

Diagrams and graphs

Characteristic load curve current output



1: Max. load

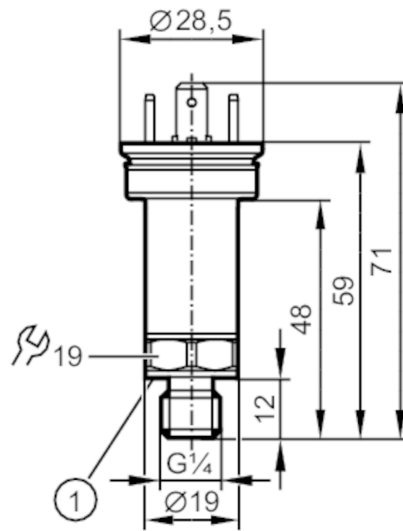
2: Min. load

PT5004



Pressure transmitter

PT-010-SEG14-A-ZVG/VE



1 sealing



Product characteristics

Number of inputs and outputs	Number of analog outputs: 1			
Measuring range	0...10 bar	0...145 psi	0...1000 kPa	0...1 MPa
Process connection	threaded connection G 1/4 external thread (DIN EN ISO 1179-2)			

Application

Measuring element	metallic thin film cell		
Application	for mobile applications; for industrial applications		
Media	liquids and gases		
Medium temperature [°C]	-40...125		
Min. burst pressure	300 bar	4350 psi	30 MPa
Pressure rating	25 bar	360 psi	2.5 MPa
Note on pressure rating	static		
Vacuum resistance	-1000 mbar	-0.1 MPa	
Type of pressure	relative pressure		

Electrical data

Operating voltage [V]	8...36 DC		
Min. insulation resistance [MΩ]	100; (500 V DC)		
Protection class	III		
Reverse polarity protection	yes		
Power-on delay time [s]	< 0.1		

Inputs / outputs

Number of inputs and outputs	Number of analog outputs: 1
------------------------------	-----------------------------

Outputs

Output signal	analog signal
Number of analog outputs	1
Analog current output [mA]	4...20

PT5004



Pressure transmitter

PT-010-SEG14-A-ZVG/VE

Max. load	[Ω]	(U _b - 8 V) / 21,5 mA ; @8V= 0 Ω ; @12V max. 200 Ω; @24V max. 750 Ω
Short-circuit proof		yes
Overload protection		yes

Measuring/setting range

Measuring range	0...10 bar	0...145 psi	0...1000 kPa	0...1 MPa
-----------------	------------	-------------	--------------	-----------

Accuracy / deviations

Repeatability	[% of the span]	< ± 0,05; (with temperature fluctuations < 10 K)
Characteristics deviation	[% of the span]	< ± 0,5; (incl. drift when overtightened, zero point and span error, non-linearity, hysteresis)
Linearity deviation	[% of the span]	< ± 0,1 (BFSL) / < ± 0,2 (LS)
Hysteresis deviation	[% of the span]	< ± 0,2
Long-term stability	[% of the span]	< ± 0,1; (per 6 months)
Temperature coefficient zero point	[% of the span / 10 K]	< ± 0,1 (0...80 °C); < ± 0,2 (-40...0 °C / 80...125 °C)
Temperature coefficient span	[% of the span / 10 K]	< ± 0,1 (0...80 °C); < ± 0,2 (-40...0 °C / 80...125 °C)

Reaction times

Step response time analog output	[ms]	2
----------------------------------	------	---

Operating conditions

Ambient temperature	[°C]	-40...100
Storage temperature	[°C]	-40...100
Protection		IP 67

Tests / approvals

EMC	Compliant with ECE R 10, rev. 5	(E1 compliant)
	DIN EN ISO 13766-1 : 2018	earth-moving and construction machines
	DIN EN ISO 14982 : 2009	agricultural and forestry machines
	ISO 11452-2	100 V/m
	ISO 7637-2 : 2011 pulse 1	Test severity III. function state C
	ISO 7637-2 : 2011 pulse 2b	test severity IV. function state C
	DIN EN 61326-1	
Shock resistance	DIN EN 60068-2-27	500 g (1 ms)
Vibration resistance	DIN EN 60068-2-6	20 g (10...2000 Hz)
MTTF	[years]	715
UL approval	UL approval number	J078
	File number UL	E174189
Pressure equipment directive	sound engineering practice; can be used for group 2 fluids; group 1 fluids on request	

Mechanical data

Weight	[g]	67
Housing		tubular
Dimensions	[mm]	Ø 19 / L = 71
Material		stainless steel (630/1.4542/17-4 PH); stainless steel (1.4404 / 316L); PPS

PT5004



Pressure transmitter

PT-010-SEG14-A-ZVG/VE

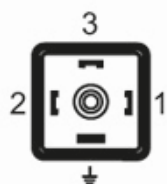
Materials (wetted parts)	stainless steel (630/1.4542/17-4 PH); stainless steel (1.4305 / 303)
Min. pressure cycles	60 million; (at 1.2 times nominal pressure)
Tightening torque [Nm]	25...35; (recommended tightening torque; Depends on lubrication, seal and pressure rating)
Process connection	threaded connection G 1/4 external thread (DIN EN ISO 1179-2)
Process connection sealing	FKM (DIN EN ISO 1179-2)
Restrictor element integrated	yes

Remarks

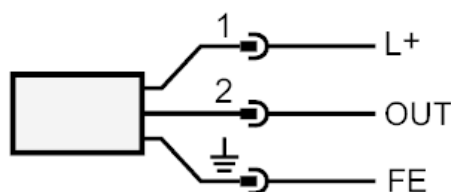
Remarks	BFSL = Best Fit Straight Line LS = limit value setting
Pack quantity	1 pcs.

Electrical connection

Connector: 1 x valve plug type A DIN (EN175301-803-A)



Connection



OUT analog output
FE functional earth

PT5004

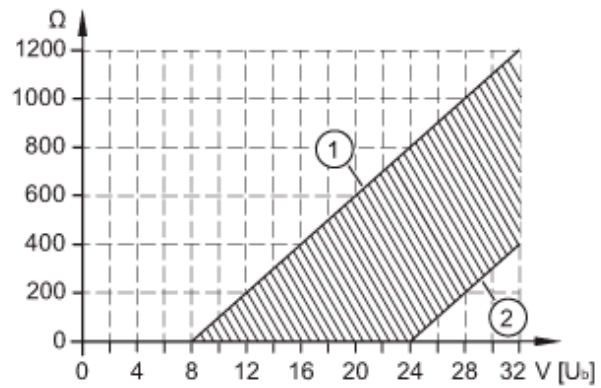


Pressure transmitter

PT-010-SEG14-A-ZVG/VE

Diagrams and graphs

Characteristic load curve current output



1: Max. load

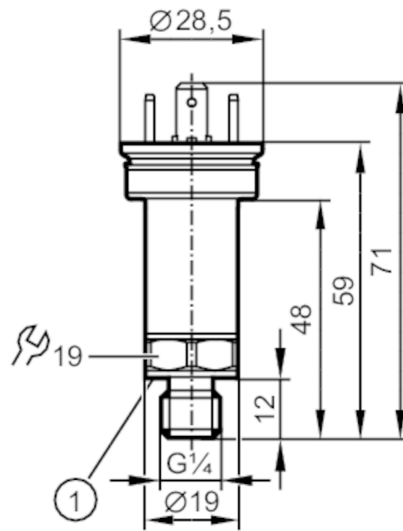
2: Min. load

PT5012



Pressure transmitter

PT-160-SEG14-A-ZVG/VE



1 sealing



Product characteristics

Number of inputs and outputs	Number of analog outputs: 1		
Measuring range	0...160 bar	0...2320 psi	0...16 MPa
Process connection	threaded connection G 1/4 external thread (DIN EN ISO 1179-2)		

Application

Measuring element	metallic thin film cell		
Application	for mobile applications; for industrial applications		
Media	liquids and gases		
Medium temperature [°C]	-40...125		
Min. burst pressure	1100 bar	15950 psi	110 MPa
Pressure rating	400 bar	5800 psi	40 MPa
Note on pressure rating	static		
Vacuum resistance	-1000 mbar	-0.1 MPa	
Type of pressure	relative pressure		

Electrical data

Operating voltage [V]	8...36 DC		
Min. insulation resistance [MΩ]	100; (500 V DC)		
Protection class	III		
Reverse polarity protection	yes		
Power-on delay time [s]	< 0.1		

Inputs / outputs

Number of inputs and outputs	Number of analog outputs: 1		
------------------------------	-----------------------------	--	--

Outputs

Total number of outputs	1		
Output signal	analog signal		
Number of analog outputs	1		

PT5012



Pressure transmitter

PT-160-SEG14-A-ZVG/VE

Analog current output	[mA]	4...20
Max. load	[Ω]	(U _b - 8 V) / 21,5 mA ; @8V= 0 Ω ; @12V max. 200 Ω; @24V max. 750 Ω
Short-circuit proof		yes
Overload protection		yes

Measuring/setting range

Measuring range	0...160 bar	0...2320 psi	0...16 MPa
-----------------	-------------	--------------	------------

Accuracy / deviations

Repeatability	[% of the span]	< ± 0,05; (with temperature fluctuations < 10 K)
Characteristics deviation	[% of the span]	< ± 0,5; (incl. drift when overtightened, zero point and span error, non-linearity, hysteresis)
Linearity deviation	[% of the span]	< ± 0,1 (BFSL) / < ± 0,2 (LS)
Hysteresis deviation	[% of the span]	< ± 0,2
Long-term stability	[% of the span]	< ± 0,1; (per 6 months)
Temperature coefficient zero point	[% of the span / 10 K]	< ± 0,1 (0...80 °C); < ± 0,2 (-40...0 °C / 80...125 °C)
Temperature coefficient span	[% of the span / 10 K]	< ± 0,1 (0...80 °C); < ± 0,2 (-40...0 °C / 80...125 °C)

Reaction times

Step response time analog output	[ms]	2
----------------------------------	------	---

Operating conditions

Ambient temperature	[°C]	-40...100
Storage temperature	[°C]	-40...100
Protection		IP 67

Tests / approvals

EMC	Compliant with ECE R 10, rev. 5	(E1 compliant)
	DIN EN ISO 13766-1 : 2018	earth-moving and construction machines
	DIN EN ISO 14982 : 2009	agricultural and forestry machines
	ISO 11452-2	100 V/m
	ISO 7637-2 : 2011 pulse 1	Test severity III. function state C
	ISO 7637-2 : 2011 pulse 2b	test severity IV. function state C
	DIN EN 61326-1	
Shock resistance	DIN EN 60068-2-27	500 g (1 ms)
Vibration resistance	DIN EN 60068-2-6	20 g (10...2000 Hz)
MTTF	[years]	715
UL approval	UL approval number	J033
	File number UL	E174189
Pressure equipment directive	sound engineering practice; can be used for group 2 fluids; group 1 fluids on request	

Mechanical data

Weight	[g]	68
Housing		tubular
Dimensions	[mm]	Ø 19 / L = 71

PT5012



Pressure transmitter

PT-160-SEG14-A-ZVG/VE

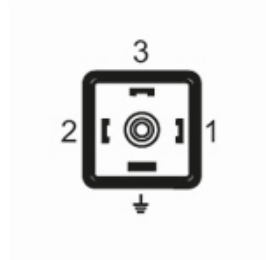
Material	stainless steel (630/1.4542/17-4 PH); stainless steel (1.4404 / 316L); PPS
Materials (wetted parts)	stainless steel (630/1.4542/17-4 PH); stainless steel (1.4305 / 303)
Min. pressure cycles	60 million; (at 1.2 times nominal pressure)
Tightening torque [Nm]	25...35; (recommended tightening torque; Depends on lubrication, seal and pressure rating)
Process connection	threaded connection G 1/4 external thread (DIN EN ISO 1179-2)
Process connection sealing	FKM (DIN EN ISO 1179-2)
Restrictor element integrated	yes

Remarks

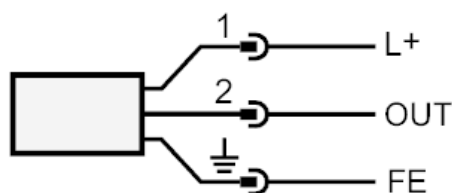
Remarks	BFSL = Best Fit Straight Line LS = limit value setting
Pack quantity	1 pcs.

Electrical connection

Connector: 1 x valve plug type A DIN (EN175301-803-A)



Connection



OUT analog output
FE functional earth

PT5012

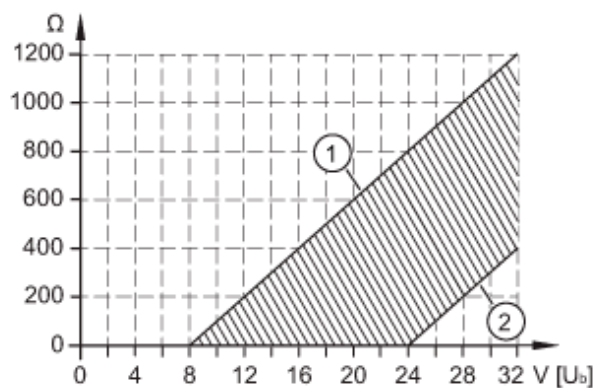


Pressure transmitter

PT-160-SEG14-A-ZVG/VE

Diagrams and graphs

Characteristic load curve current output



1: Max. load

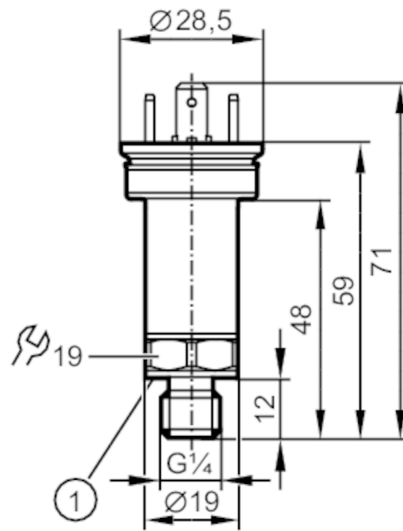
2: Min. load

PT5014



Pressure transmitter

PT-016-SEG14-A-ZVG/VE



1 sealing



Product characteristics

Number of inputs and outputs	Number of analog outputs: 1		
Measuring range	0...16 bar	0...232 psi	0...1.6 MPa
Process connection	threaded connection G 1/4 external thread (DIN EN ISO 1179-2)		

Application

Measuring element	metallic thin film cell		
Application	for mobile applications; for industrial applications		
Media	liquids and gases		
Medium temperature [°C]	-40...125		
Min. burst pressure	450 bar	6525 psi	45 MPa
Pressure rating	40 bar	580 psi	4 MPa
Note on pressure rating	static		
Vacuum resistance	-1000 mbar	-0.1 MPa	
Type of pressure	relative pressure		

Electrical data

Operating voltage [V]	8...36 DC		
Min. insulation resistance [MΩ]	100; (500 V DC)		
Protection class	III		
Reverse polarity protection	yes		
Power-on delay time [s]	< 0.1		

Inputs / outputs

Number of inputs and outputs	Number of analog outputs: 1		
------------------------------	-----------------------------	--	--

Outputs

Output signal	analog signal		
Number of analog outputs	1		
Analog current output [mA]	4...20		

PT5014



Pressure transmitter

PT-016-SEG14-A-ZVG/VE

Max. load	[Ω]	(U _b - 8 V) / 21,5 mA ; @8V= 0 Ω ; @12V max. 200 Ω; @24V max. 750 Ω
Short-circuit proof		yes
Overload protection		yes

Measuring/setting range

Measuring range	0...16 bar	0...232 psi	0...1.6 MPa
-----------------	------------	-------------	-------------

Accuracy / deviations

Repeatability	[% of the span]	< ± 0,05; (with temperature fluctuations < 10 K)
Characteristics deviation	[% of the span]	< ± 0,5; (incl. drift when overtightened, zero point and span error, non-linearity, hysteresis)
Linearity deviation	[% of the span]	< ± 0,1 (BFSL) / < ± 0,2 (LS)
Hysteresis deviation	[% of the span]	< ± 0,2
Long-term stability	[% of the span]	< ± 0,1; (per 6 months)
Temperature coefficient zero point	[% of the span / 10 K]	< ± 0,1 (0...80 °C); < ± 0,2 (-40...0 °C / 80...125 °C)
Temperature coefficient span	[% of the span / 10 K]	< ± 0,1 (0...80 °C); < ± 0,2 (-40...0 °C / 80...125 °C)

Reaction times

Step response time analog output	[ms]	2
----------------------------------	------	---

Operating conditions

Ambient temperature	[°C]	-40...100
Storage temperature	[°C]	-40...100
Protection		IP 67

Tests / approvals

EMC	Compliant with ECE R 10, rev. 5	(E1 compliant)
	DIN EN ISO 13766-1 : 2018	earth-moving and construction machines
	DIN EN ISO 14982 : 2009	agricultural and forestry machines
	ISO 11452-2	100 V/m
	ISO 7637-2 : 2011 pulse 1	Test severity III. function state C
	ISO 7637-2 : 2011 pulse 2b	test severity IV. function state C
	DIN EN 61326-1	
Shock resistance	DIN EN 60068-2-27	500 g (1 ms)
Vibration resistance	DIN EN 60068-2-6	20 g (10...2000 Hz)
MTTF	[years]	715
UL approval	UL approval number	J078
	File number UL	E174189
Pressure equipment directive	sound engineering practice; can be used for group 2 fluids; group 1 fluids on request	

Mechanical data

Weight	[g]	67
Housing		tubular
Dimensions	[mm]	Ø 19 / L = 71
Material		stainless steel (630/1.4542/17-4 PH); stainless steel (1.4404 / 316L); PPS

PT5014



Pressure transmitter

PT-016-SEG14-A-ZVG/VE

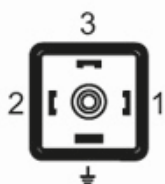
Materials (wetted parts)	stainless steel (630/1.4542/17-4 PH); stainless steel (1.4305 / 303)
Min. pressure cycles	60 million; (at 1.2 times nominal pressure)
Tightening torque [Nm]	25...35; (recommended tightening torque; Depends on lubrication, seal and pressure rating)
Process connection	threaded connection G 1/4 external thread (DIN EN ISO 1179-2)
Process connection sealing	FKM (DIN EN ISO 1179-2)
Restrictor element integrated	yes

Remarks

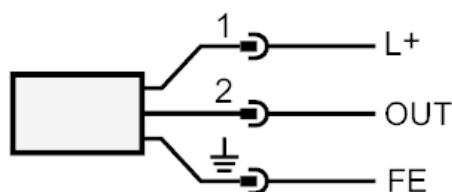
Remarks	BFSL = Best Fit Straight Line LS = limit value setting
Pack quantity	1 pcs.

Electrical connection

Connector: 1 x valve plug type A DIN (EN175301-803-A)



Connection



OUT analog output
FE functional earth

PT5014

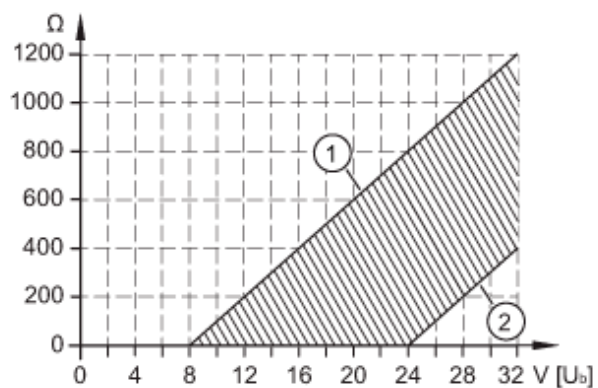


Pressure transmitter

PT-016-SEG14-A-ZVG/VE

Diagrams and graphs

Characteristic load curve current output



1: Max. load

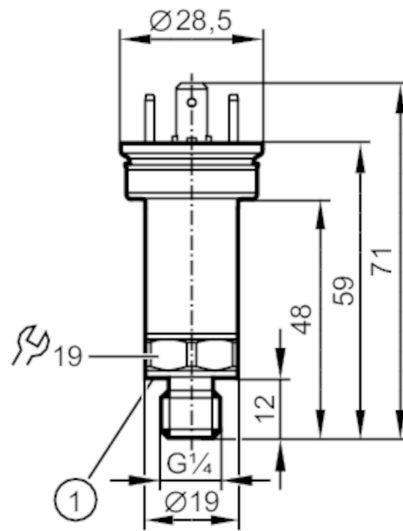
2: Min. load

PT5015



Pressure transmitter

PT-006-SEG14-A-ZVG/VE



1 sealing



Product characteristics

Number of inputs and outputs	Number of analog outputs: 1			
Measuring range	0...6 bar	0...87 psi	0...600 kPa	0...0.6 MPa
Process connection	threaded connection G 1/4 external thread (DIN EN ISO 1179-2)			

Application

Measuring element	metallic thin film cell		
Application	for mobile applications; for industrial applications		
Media	liquids and gases		
Medium temperature [°C]	-40...125		
Min. burst pressure	200 bar	2900 psi	20 MPa
Pressure rating	15 bar	215 psi	1.5 MPa
Note on pressure rating	static		
Vacuum resistance	-1000 mbar	-0.1 MPa	
Type of pressure	relative pressure		

Electrical data

Operating voltage [V]	8...36 DC		
Min. insulation resistance [MΩ]	100; (500 V DC)		
Protection class	III		
Reverse polarity protection	yes		
Power-on delay time [s]	< 0.1		

Inputs / outputs

Number of inputs and outputs	Number of analog outputs: 1
------------------------------	-----------------------------

Outputs

Output signal	analog signal
Number of analog outputs	1
Analog current output [mA]	4...20

PT5015



Pressure transmitter

PT-006-SEG14-A-ZVG/VE

Max. load	[Ω]	(U _b - 8 V) / 21,5 mA ; @8V= 0 Ω ; @12V max. 200 Ω; @24V max. 750 Ω
Short-circuit proof		yes
Overload protection		yes

Measuring/setting range

Measuring range	0...6 bar	0...87 psi	0...600 kPa	0...0.6 MPa
-----------------	-----------	------------	-------------	-------------

Accuracy / deviations

Repeatability	[% of the span]	< ± 0,05; (with temperature fluctuations < 10 K)
Characteristics deviation	[% of the span]	< ± 0,5; (incl. drift when overtightened, zero point and span error, non-linearity, hysteresis)
Linearity deviation	[% of the span]	< ± 0,1 (BFSL) / < ± 0,2 (LS)
Hysteresis deviation	[% of the span]	< ± 0,2
Long-term stability	[% of the span]	< ± 0,1; (per 6 months)
Temperature coefficient zero point	[% of the span / 10 K]	< ± 0,1 (0...80 °C); < ± 0,2 (-40...0 °C / 80...125 °C)
Temperature coefficient span	[% of the span / 10 K]	< ± 0,1 (0...80 °C); < ± 0,2 (-40...0 °C / 80...125 °C)

Reaction times

Step response time analog output	[ms]	2
----------------------------------	------	---

Operating conditions

Ambient temperature	[°C]	-40...100
Storage temperature	[°C]	-40...100
Protection		IP 67

Tests / approvals

EMC	Compliant with ECE R 10, rev. 5	(E1 compliant)
	DIN EN ISO 13766-1 : 2018	earth-moving and construction machines
	DIN EN ISO 14982 : 2009	agricultural and forestry machines
	ISO 11452-2	100 V/m
	ISO 7637-2 : 2011 pulse 1	Test severity III. function state C
	ISO 7637-2 : 2011 pulse 2b	test severity IV. function state C
	DIN EN 61326-1	
Shock resistance	DIN EN 60068-2-27	500 g (1 ms)
Vibration resistance	DIN EN 60068-2-6	20 g (10...2000 Hz)
MTTF	[years]	715
UL approval	UL approval number	J078
	File number UL	E174189
Pressure equipment directive		sound engineering practice; can be used for group 2 fluids; group 1 fluids on request

Mechanical data

Weight	[g]	67
Housing		tubular
Dimensions	[mm]	Ø 19 / L = 71
Material		stainless steel (630/1.4542/17-4 PH); stainless steel (1.4404 / 316L); PPS

PT5015



Pressure transmitter

PT-006-SEG14-A-ZVG/VE

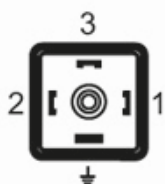
Materials (wetted parts)	stainless steel (630/1.4542/17-4 PH); stainless steel (1.4305 / 303)
Min. pressure cycles	60 million; (at 1.2 times nominal pressure)
Tightening torque [Nm]	25...35; (recommended tightening torque; Depends on lubrication, seal and pressure rating)
Process connection	threaded connection G 1/4 external thread (DIN EN ISO 1179-2)
Process connection sealing	FKM (DIN EN ISO 1179-2)
Restrictor element integrated	yes

Remarks

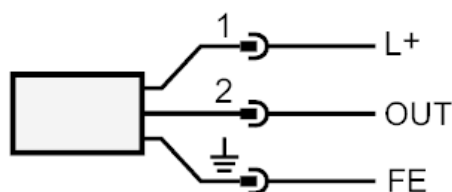
Remarks	BFSL = Best Fit Straight Line LS = limit value setting
Pack quantity	1 pcs.

Electrical connection

Connector: 1 x valve plug type A DIN (EN175301-803-A)



Connection



OUT analog output
FE functional earth

PT5015

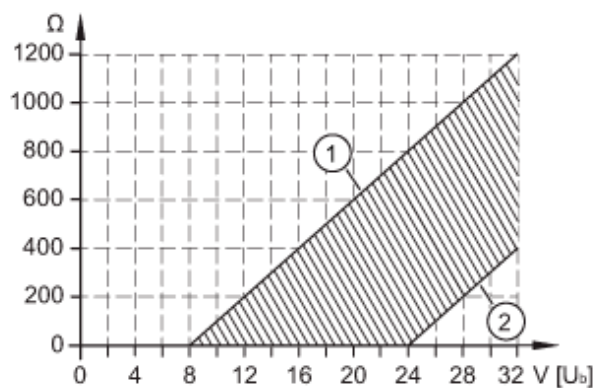


Pressure transmitter

PT-006-SEG14-A-ZVG/VE

Diagrams and graphs

Characteristic load curve current output



1: Max. load

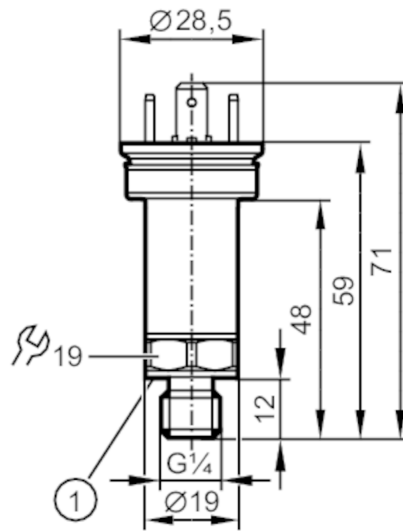
2: Min. load

PT5023



Pressure transmitter

PT-060-SEG14-A-ZVG/VE



1 sealing



Product characteristics

Number of inputs and outputs	Number of analog outputs: 1		
Measuring range	0...60 bar	0...870 psi	0...6 MPa
Process connection	threaded connection G 1/4 external thread (DIN EN ISO 1179-2)		

Application

Measuring element	metallic thin film cell		
Application	for mobile applications; for industrial applications		
Media	liquids and gases		
Medium temperature [°C]	-40...125		
Min. burst pressure	900 bar	13050 psi	90 MPa
Pressure rating	150 bar	2175 psi	15 MPa
Note on pressure rating	static		
Vacuum resistance	-1000 mbar	-0.1 MPa	
Type of pressure	relative pressure		

Electrical data

Operating voltage [V]	8...36 DC		
Min. insulation resistance [MΩ]	100; (500 V DC)		
Protection class	III		
Reverse polarity protection	yes		
Power-on delay time [s]	< 0.1		

Inputs / outputs

Number of inputs and outputs	Number of analog outputs: 1		
------------------------------	-----------------------------	--	--

Outputs

Total number of outputs	1		
Output signal	analog signal		
Number of analog outputs	1		

PT5023



Pressure transmitter

PT-060-SEG14-A-ZVG/VE

Analog current output	[mA]	4...20
Max. load	[Ω]	(U _b - 8 V) / 21,5 mA ; @8V= 0 Ω ; @12V max. 200 Ω; @24V max. 750 Ω
Short-circuit proof		yes
Overload protection		yes

Measuring/setting range

Measuring range	0...60 bar	0...870 psi	0...6 MPa
-----------------	------------	-------------	-----------

Accuracy / deviations

Repeatability	[% of the span]	< ± 0,05; (with temperature fluctuations < 10 K)
Characteristics deviation	[% of the span]	< ± 0,5; (incl. drift when overtightened, zero point and span error, non-linearity, hysteresis)
Linearity deviation	[% of the span]	< ± 0,1 (BFSL) / < ± 0,2 (LS)
Hysteresis deviation	[% of the span]	< ± 0,2
Long-term stability	[% of the span]	< ± 0,1; (per 6 months)
Temperature coefficient zero point	[% of the span / 10 K]	< ± 0,1 (0...80 °C); < ± 0,2 (-40...0 °C / 80...125 °C)
Temperature coefficient span	[% of the span / 10 K]	< ± 0,1 (0...80 °C); < ± 0,2 (-40...0 °C / 80...125 °C)

Reaction times

Step response time analog output	[ms]	2
----------------------------------	------	---

Operating conditions

Ambient temperature	[°C]	-40...100
Storage temperature	[°C]	-40...100
Protection		IP 67

Tests / approvals

EMC	Compliant with ECE R 10, rev. 5	(E1 compliant)
	DIN EN ISO 13766-1 : 2018	earth-moving and construction machines
	DIN EN ISO 14982 : 2009	agricultural and forestry machines
	ISO 11452-2	100 V/m
	ISO 7637-2 : 2011 pulse 1	Test severity III. function state C
	ISO 7637-2 : 2011 pulse 2b	test severity IV. function state C
	DIN EN 61326-1	
Shock resistance	DIN EN 60068-2-27	500 g (1 ms)
Vibration resistance	DIN EN 60068-2-6	20 g (10...2000 Hz)
MTTF	[years]	715
UL approval	UL approval number	J032
	File number UL	E174189
Pressure equipment directive	sound engineering practice; can be used for group 2 fluids; group 1 fluids on request	

Mechanical data

Weight	[g]	67
Housing		tubular
Dimensions	[mm]	Ø 19 / L = 71

PT5023



Pressure transmitter

PT-060-SEG14-A-ZVG/VE

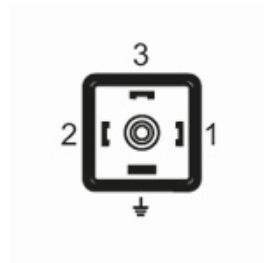
Material	stainless steel (630/1.4542/17-4 PH); stainless steel (1.4404 / 316L); PPS
Materials (wetted parts)	stainless steel (630/1.4542/17-4 PH); stainless steel (1.4305 / 303)
Min. pressure cycles	60 million; (at 1.2 times nominal pressure)
Tightening torque [Nm]	25...35; (recommended tightening torque; Depends on lubrication, seal and pressure rating)
Process connection	threaded connection G 1/4 external thread (DIN EN ISO 1179-2)
Process connection sealing	FKM (DIN EN ISO 1179-2)
Restrictor element integrated	yes

Remarks

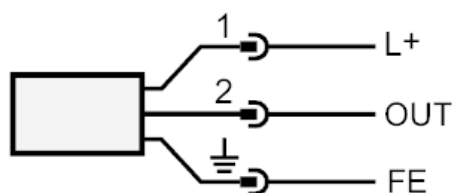
Remarks	BFSL = Best Fit Straight Line LS = limit value setting
Pack quantity	1 pcs.

Electrical connection

Connector: 1 x valve plug type A DIN (EN175301-803-A)



Connection



OUT analog output
FE functional earth

PT5023

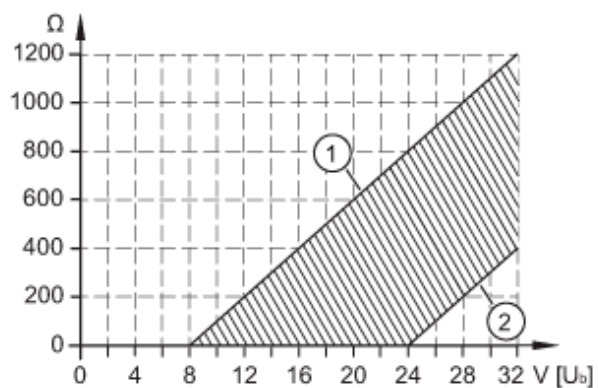


Pressure transmitter

PT-060-SEG14-A-ZVG/VE

Diagrams and graphs

Characteristic load curve current output



1: Max. load

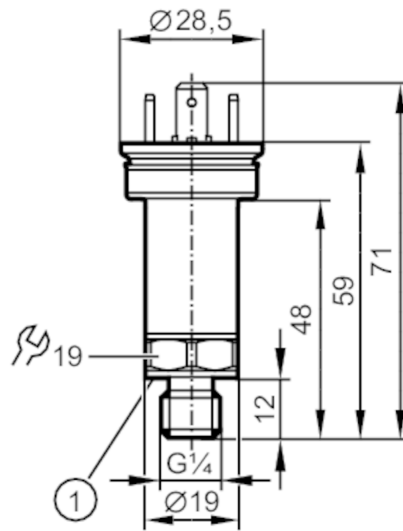
2: Min. load

PT5043



Pressure transmitter

PT-040-SEG14-A-ZVG/VE



1 sealing



Product characteristics

Number of inputs and outputs	Number of analog outputs: 1		
Measuring range	0...40 bar	0...580 psi	0...4 MPa
Process connection	threaded connection G 1/4 external thread (DIN EN ISO 1179-2)		

Application

Measuring element	metallic thin film cell		
Application	for mobile applications; for industrial applications		
Media	liquids and gases		
Medium temperature [°C]	-40...125		
Min. burst pressure	800 bar	11600 psi	80 MPa
Pressure rating	100 bar	1450 psi	10 MPa
Note on pressure rating	static		
Vacuum resistance	-1000 mbar	-0.1 MPa	
Type of pressure	relative pressure		

Electrical data

Operating voltage [V]	8...36 DC		
Min. insulation resistance [MΩ]	100; (500 V DC)		
Protection class	III		
Reverse polarity protection	yes		
Power-on delay time [s]	< 0.1		

Inputs / outputs

Number of inputs and outputs	Number of analog outputs: 1		
------------------------------	-----------------------------	--	--

Outputs

Total number of outputs	1		
Output signal	analog signal		
Number of analog outputs	1		

PT5043



Pressure transmitter

PT-040-SEG14-A-ZVG/VE

Analog current output	[mA]	4...20
Max. load	[Ω]	(U _b - 8 V) / 21,5 mA ; @8V= 0 Ω ; @12V max. 200 Ω; @24V max. 750 Ω
Short-circuit proof		yes
Overload protection		yes

Measuring/setting range

Measuring range	0...40 bar	0...580 psi	0...4 MPa
-----------------	------------	-------------	-----------

Accuracy / deviations

Repeatability	[% of the span]	< ± 0,05; (with temperature fluctuations < 10 K)
Characteristics deviation	[% of the span]	< ± 0,5; (incl. drift when overtightened, zero point and span error, non-linearity, hysteresis)
Linearity deviation	[% of the span]	< ± 0,1 (BFSL) / < ± 0,2 (LS)
Hysteresis deviation	[% of the span]	< ± 0,2
Long-term stability	[% of the span]	< ± 0,1; (per 6 months)
Temperature coefficient zero point	[% of the span / 10 K]	< ± 0,1 (0...80 °C); < ± 0,2 (-40...0 °C / 80...125 °C)
Temperature coefficient span	[% of the span / 10 K]	< ± 0,1 (0...80 °C); < ± 0,2 (-40...0 °C / 80...125 °C)

Reaction times

Step response time analog output	[ms]	2
----------------------------------	------	---

Operating conditions

Ambient temperature	[°C]	-40...100
Storage temperature	[°C]	-40...100
Protection		IP 67

Tests / approvals

EMC	Compliant with ECE R 10, rev. 5	(E1 compliant)
	DIN EN ISO 13766-1 : 2018	earth-moving and construction machines
	DIN EN ISO 14982 : 2009	agricultural and forestry machines
	ISO 11452-2	100 V/m
	ISO 7637-2 : 2011 pulse 1	Test severity III. function state C
	ISO 7637-2 : 2011 pulse 2b	test severity IV. function state C
	DIN EN 61326-1	
Shock resistance	DIN EN 60068-2-27	500 g (1 ms)
Vibration resistance	DIN EN 60068-2-6	20 g (10...2000 Hz)
MTTF	[years]	715
UL approval	UL approval number	J032
	File number UL	E174189
Pressure equipment directive	sound engineering practice; can be used for group 2 fluids; group 1 fluids on request	

Mechanical data

Weight	[g]	67
Housing		tubular
Dimensions	[mm]	Ø 19 / L = 71

PT5043



Pressure transmitter

PT-040-SEG14-A-ZVG/VE

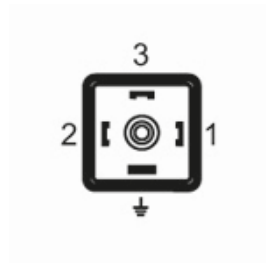
Material	stainless steel (630/1.4542/17-4 PH); stainless steel (1.4404 / 316L); PPS
Materials (wetted parts)	stainless steel (630/1.4542/17-4 PH); stainless steel (1.4305 / 303)
Min. pressure cycles	60 million; (at 1.2 times nominal pressure)
Tightening torque [Nm]	25...35; (recommended tightening torque; Depends on lubrication, seal and pressure rating)
Process connection	threaded connection G 1/4 external thread (DIN EN ISO 1179-2)
Process connection sealing	FKM (DIN EN ISO 1179-2)
Restrictor element integrated	yes

Remarks

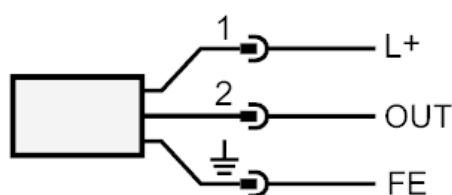
Remarks	BFSL = Best Fit Straight Line LS = limit value setting
Pack quantity	1 pcs.

Electrical connection

Connector: 1 x valve plug type A DIN (EN175301-803-A)



Connection



OUT analog output
FE functional earth

PT5043

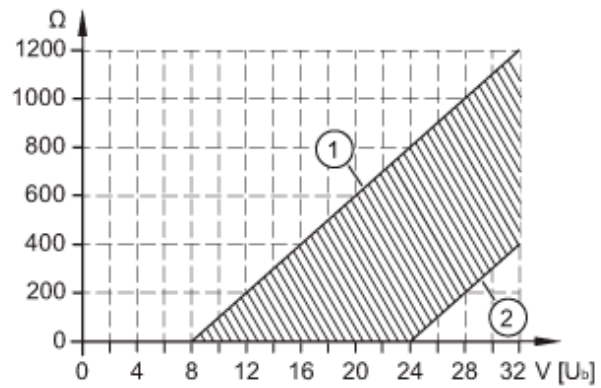


Pressure transmitter

PT-040-SEG14-A-ZVG/VE

Diagrams and graphs

Characteristic load curve current output



1: Max. load

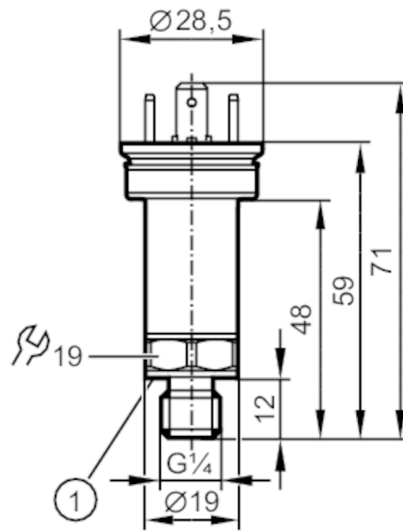
2: Min. load

PT5060



Pressure transmitter

PT-600-SEG14-A-ZVG/VE



1 sealing



Product characteristics

Number of inputs and outputs	Number of analog outputs: 1		
Measuring range	0...600 bar	0...8700 psi	0...60 MPa
Process connection	threaded connection G 1/4 external thread (DIN EN ISO 1179-2)		

Application

Measuring element	metallic thin film cell		
Application	for mobile applications; for industrial applications		
Media	liquids and gases		
Medium temperature [°C]	-40...125		
Min. burst pressure	2500 bar	36255 psi	250 MPa
Pressure rating	1500 bar	21755 psi	150 MPa
Note on pressure rating	static		
Vacuum resistance	-1000 mbar	-0.1 MPa	
Type of pressure	relative pressure		

Electrical data

Operating voltage [V]	8...36 DC		
Min. insulation resistance [MΩ]	100; (500 V DC)		
Protection class	III		
Reverse polarity protection	yes		
Power-on delay time [s]	< 0.1		

Inputs / outputs

Number of inputs and outputs	Number of analog outputs: 1		
------------------------------	-----------------------------	--	--

Outputs

Total number of outputs	1		
Output signal	analog signal		
Number of analog outputs	1		

PT5060



Pressure transmitter

PT-600-SEG14-A-ZVG/VE

Analog current output	[mA]	4...20
Max. load	[Ω]	($U_b - 8\text{ V}$) / 21,5 mA ; @8V= 0 Ω ; @12V max. 200 Ω; @24V max. 750 Ω
Short-circuit proof		yes
Overload protection		yes

Measuring/setting range

Measuring range	0...600 bar	0...8700 psi	0...60 MPa
-----------------	-------------	--------------	------------

Accuracy / deviations

Repeatability	[% of the span]	< ± 0,05; (with temperature fluctuations < 10 K)
Characteristics deviation	[% of the span]	< ± 0,5; (incl. drift when overtightened, zero point and span error, non-linearity, hysteresis)
Linearity deviation	[% of the span]	< ± 0,1 (BFSL) / < ± 0,2 (LS)
Hysteresis deviation	[% of the span]	< ± 0,2
Long-term stability	[% of the span]	< ± 0,1; (per 6 months)
Temperature coefficient zero point	[% of the span / 10 K]	< ± 0,1 (0...80 °C); < ± 0,2 (-40...0 °C / 80...125 °C)
Temperature coefficient span	[% of the span / 10 K]	< ± 0,1 (0...80 °C); < ± 0,2 (-40...0 °C / 80...125 °C)

Reaction times

Step response time analog output	[ms]	2
----------------------------------	------	---

Operating conditions

Ambient temperature	[°C]	-40...100
Storage temperature	[°C]	-40...100
Protection		IP 67

Tests / approvals

EMC	Compliant with ECE R 10, rev. 5	(E1 compliant)
	DIN EN ISO 13766-1 : 2018	earth-moving and construction machines
	DIN EN ISO 14982 : 2009	agricultural and forestry machines
	ISO 11452-2	100 V/m
	ISO 7637-2 : 2011 pulse 1	Test severity III. function state C
	ISO 7637-2 : 2011 pulse 2b	test severity IV. function state C
	DIN EN 61326-1	
Shock resistance	DIN EN 60068-2-27	500 g (1 ms)
Vibration resistance	DIN EN 60068-2-6	20 g (10...2000 Hz)
MTTF	[years]	715
UL approval	UL approval number	J044
	File number UL	E174189
Pressure equipment directive	Modul A; can be used for group 2 fluids; group 1 fluids on request	

Mechanical data

Weight	[g]	68
Housing		tubular
Dimensions	[mm]	Ø 19 / L = 71

PT5060



Pressure transmitter

PT-600-SEG14-A-ZVG/VE

Material	stainless steel (630/1.4542/17-4 PH); stainless steel (1.4404 / 316L); PPS
Materials (wetted parts)	stainless steel (630/1.4542/17-4 PH); stainless steel (1.4305 / 303)
Min. pressure cycles	60 million; (at 1.2 times nominal pressure)
Tightening torque [Nm]	30...50; (recommended tightening torque; Depends on lubrication, seal and pressure rating)
Process connection	threaded connection G 1/4 external thread (DIN EN ISO 1179-2)
Process connection sealing	FKM (DIN EN ISO 1179-2)
Restrictor element integrated	yes

Remarks

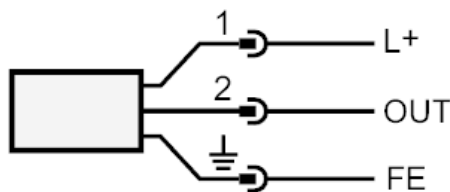
Remarks	BFSL = Best Fit Straight Line LS = limit value setting
Pack quantity	1 pcs.

Electrical connection

Connector: 1 x valve plug type A DIN (EN175301-803-A)



Connection



OUT analog output
FE functional earth

PT5060

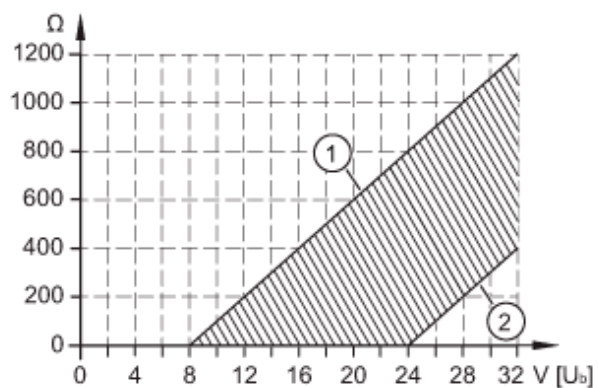


Pressure transmitter

PT-600-SEG14-A-ZVG/VE

Diagrams and graphs

Characteristic load curve current output



1: Max. load

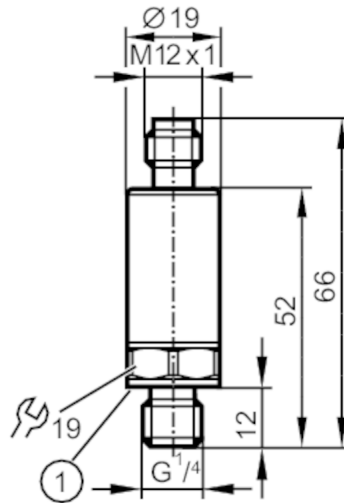
2: Min. load

PT5300



Pressure transmitter

PT-400-SEG14-A-ZVG/US/ IW



1 sealing



Product characteristics

Number of inputs and outputs	Number of analog outputs: 1		
Measuring range	0...400 bar	0...5800 psi	0...40 MPa
Process connection	threaded connection G 1/4 external thread (DIN EN ISO 1179-2)		

Application

Application	for industrial applications		
Media	liquids and gases		
Medium temperature [°C]	-40...90		
Min. burst pressure	1700 bar	24655 psi	170 MPa
Pressure rating	1000 bar	14500 psi	100 MPa
Note on pressure rating	static		
Vacuum resistance	-1000 mbar	-0.1 MPa	
Type of pressure	relative pressure		

Electrical data

Operating voltage [V]	8.5...36 DC		
Min. insulation resistance [MΩ]	100; (500 V DC)		
Protection class	III		
Reverse polarity protection	yes		
Power-on delay time [s]	< 0.1		

Inputs / outputs

Number of inputs and outputs	Number of analog outputs: 1		
------------------------------	-----------------------------	--	--

Outputs

Total number of outputs	1		
Output signal	analog signal		
Number of analog outputs	1		
Analog current output [mA]	4...20		
Max. load [Ω]	(U _b – 8,5 V) / 21,5 mA; @8,5V= 0 Ω; @12V max. 160 Ω; @24V max. 720 Ω		
Short-circuit proof	yes		

PT5300



Pressure transmitter

PT-400-SEG14-A-ZVG/US/ IW

Overload protection	yes
---------------------	-----

Measuring/setting range

Measuring range	0...400 bar	0...5800 psi	0...40 MPa
-----------------	-------------	--------------	------------

Accuracy / deviations

Repeatability [% of the span]	< ± 0,05; (with temperature fluctuations < 10 K)
Characteristics deviation [% of the span]	< ± 0,5; (incl. drift when overtightened, zero point and span error, non-linearity, hysteresis)
Linearity deviation [% of the span]	< ± 0,1 (BFSL) / < ± 0,2 (LS)
Hysteresis deviation [% of the span]	< ± 0,2
Long-term stability [% of the span]	< ± 0,1; (per 6 months)
Temperature coefficient zero point and span [% of the span / 10 K]	< 0,1 (-25...90 °C) / < 0,2 (-40...-25 °C)

Reaction times

Step response time analog output [ms]	1
---------------------------------------	---

Operating conditions

Ambient temperature [°C]	-40...90
Storage temperature [°C]	-40...100
Protection	IP 67; IP 69K

Tests / approvals

EMC	DIN EN 61000-6-2	
	DIN EN 61000-6-3	
Shock resistance	DIN EN 60068-2-27	50 g (11 ms)
Vibration resistance	DIN EN 60068-2-6	20 g (10...2000 Hz)
MTTF [years]		787
UL approval	UL approval number	J028
Pressure equipment directive	sound engineering practice; can be used for group 2 fluids; group 1 fluids on request	

Mechanical data

Weight [g]	60
Housing	tubular
Dimensions [mm]	Ø 19 / L = 66
Material	stainless steel (630/1.4542/17-4 PH); stainless steel (1.4404 / 316L); PEI
Materials (wetted parts)	stainless steel (630/1.4542/17-4 PH)
Min. pressure cycles	60 million; (at 1.2 times nominal pressure)
Tightening torque [Nm]	25...35; (recommended tightening torque; Depends on lubrication, seal and pressure rating)
Process connection	threaded connection G 1/4 external thread (DIN EN ISO 1179-2)
Process connection sealing	FKM (DIN EN ISO 1179-2)
Restrictor element integrated	no (can be retrofitted)

PT5300



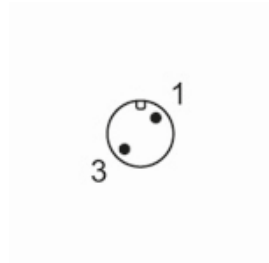
Pressure transmitter

PT-400-SEG14-A-ZVG/US/ IW

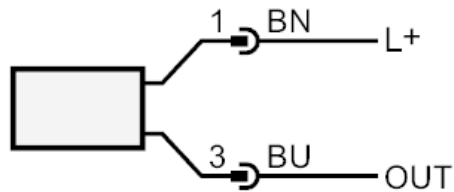
Remarks	
Remarks	BFSL = Best Fit Straight Line LS = limit value setting
Pack quantity	1 pcs.

Electrical connection

Connector: 1 x M12; coding: A



Connection

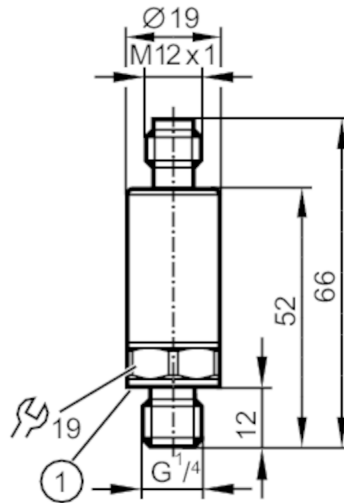


PT5301



Pressure transmitter

PT-250-SEG14-A-ZVG/US/ IW



1 sealing



Product characteristics

Number of inputs and outputs	Number of analog outputs: 1		
Measuring range	0...250 bar	0...3625 psi	0...25 MPa
Process connection	threaded connection G 1/4 external thread (DIN EN ISO 1179-2)		

Application

Application	for industrial applications		
Media	liquids and gases		
Medium temperature [°C]	-40...90		
Min. burst pressure	1200 bar	17400 psi	120 MPa
Pressure rating	625 bar	9060 psi	62.5 MPa
Note on pressure rating	static		
Vacuum resistance	-1000 mbar	-0.1 MPa	
Type of pressure	relative pressure		

Electrical data

Operating voltage [V]	8.5...36 DC		
Min. insulation resistance [MΩ]	100; (500 V DC)		
Protection class	III		
Reverse polarity protection	yes		
Power-on delay time [s]	< 0.1		

Inputs / outputs

Number of inputs and outputs	Number of analog outputs: 1		
------------------------------	-----------------------------	--	--

Outputs

Total number of outputs	1		
Output signal	analog signal		
Number of analog outputs	1		
Analog current output [mA]	4...20		
Max. load [Ω]	(U _b – 8,5 V) / 21,5 mA; @8,5V= 0 Ω; @12V max. 160 Ω; @24V max. 720 Ω		
Short-circuit proof	yes		

PT5301



Pressure transmitter

PT-250-SEG14-A-ZVG/US/ IW

Overload protection	yes
---------------------	-----

Measuring/setting range

Measuring range	0...250 bar	0...3625 psi	0...25 MPa
-----------------	-------------	--------------	------------

Accuracy / deviations

Repeatability [% of the span]	< ± 0,05; (with temperature fluctuations < 10 K)
Characteristics deviation [% of the span]	< ± 0,5; (incl. drift when overtightened, zero point and span error, non-linearity, hysteresis)
Linearity deviation [% of the span]	< ± 0,1 (BFSL) / < ± 0,2 (LS)
Hysteresis deviation [% of the span]	< ± 0,2
Long-term stability [% of the span]	< ± 0,1; (per 6 months)
Temperature coefficient zero point and span [% of the span / 10 K]	< 0,1 (-25...90 °C) / < 0,2 (-40...-25 °C)

Reaction times

Step response time analog output [ms]	1
---------------------------------------	---

Operating conditions

Ambient temperature [°C]	-40...90
Storage temperature [°C]	-40...100
Protection	IP 67; IP 69K

Tests / approvals

EMC	DIN EN 61000-6-2	
	DIN EN 61000-6-3	
Shock resistance	DIN EN 60068-2-27	50 g (11 ms)
Vibration resistance	DIN EN 60068-2-6	20 g (10...2000 Hz)
MTTF [years]		787
UL approval	UL approval number	J028
Pressure equipment directive	sound engineering practice; can be used for group 2 fluids; group 1 fluids on request	

Mechanical data

Weight [g]	60.5
Housing	tubular
Dimensions [mm]	Ø 19 / L = 66
Material	stainless steel (630/1.4542/17-4 PH); stainless steel (1.4404 / 316L); PEI
Materials (wetted parts)	stainless steel (630/1.4542/17-4 PH)
Min. pressure cycles	60 million; (at 1.2 times nominal pressure)
Tightening torque [Nm]	25...35; (recommended tightening torque; Depends on lubrication, seal and pressure rating)
Process connection	threaded connection G 1/4 external thread (DIN EN ISO 1179-2)
Process connection sealing	FKM (DIN EN ISO 1179-2)
Restrictor element integrated	no (can be retrofitted)

PT5301



Pressure transmitter

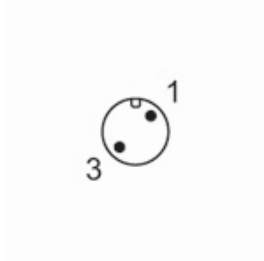
PT-250-SEG14-A-ZVG/US/ IW

Remarks

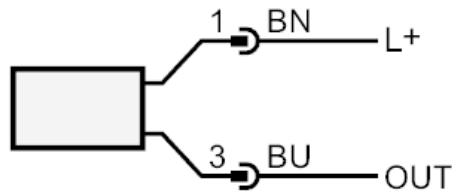
Remarks	BFSL = Best Fit Straight Line LS = limit value setting
Pack quantity	1 pcs.

Electrical connection

Connector: 1 x M12; coding: A



Connection



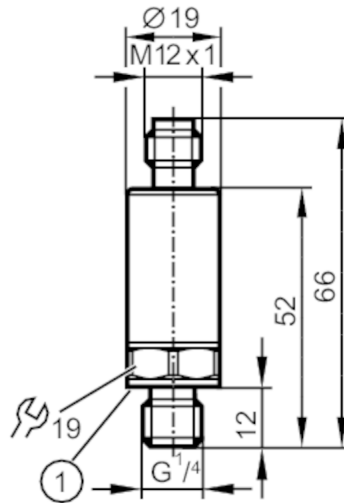
OUT analog output
 Colors to DIN EN 60947-5-2
 Core colors :
BN = brown
BU = blue

PT5302



Pressure transmitter

PT-100-SEG14-A-ZVG/US/ IW



1 sealing



Product characteristics

Number of inputs and outputs	Number of analog outputs: 1		
Measuring range	0...100 bar	0...1450 psi	0...10 MPa
Process connection	threaded connection G 1/4 external thread (DIN EN ISO 1179-2)		

Application

Application	for industrial applications		
Media	liquids and gases		
Medium temperature [°C]	-40...90		
Min. burst pressure	1000 bar	14500 psi	100 MPa
Pressure rating	250 bar	3625 psi	25 MPa
Note on pressure rating	static		
Vacuum resistance	-1000 mbar	-0.1 MPa	
Type of pressure	relative pressure		

Electrical data

Operating voltage [V]	8.5...36 DC		
Min. insulation resistance [MΩ]	100; (500 V DC)		
Protection class	III		
Reverse polarity protection	yes		
Power-on delay time [s]	< 0.1		

Inputs / outputs

Number of inputs and outputs	Number of analog outputs: 1		
------------------------------	-----------------------------	--	--

Outputs

Total number of outputs	1		
Output signal	analog signal		
Number of analog outputs	1		
Analog current output [mA]	4...20		
Max. load [Ω]	(U _b – 8,5 V) / 21,5 mA; @8,5V= 0 Ω; @12V max. 160 Ω; @24V max. 720 Ω		
Short-circuit proof	yes		

PT5302



Pressure transmitter

PT-100-SEG14-A-ZVG/US/ IW

Overload protection	yes		
Measuring/setting range			
Measuring range	0...100 bar	0...1450 psi	0...10 MPa
Accuracy / deviations			
Repeatability [% of the span]	< ± 0,05; (with temperature fluctuations < 10 K)		
Characteristics deviation [% of the span]	< ± 0,5; (incl. drift when overtightened, zero point and span error, non-linearity, hysteresis)		
Linearity deviation [% of the span]	< ± 0,1 (BFSL) / < ± 0,2 (LS)		
Hysteresis deviation [% of the span]	< ± 0,2		
Long-term stability [% of the span]	< ± 0,1; (per 6 months)		
Temperature coefficient zero point and span [% of the span / 10 K]	< 0,1 (-25...90 °C) / < 0,2 (-40...-25 °C)		
Reaction times			
Step response time analog output [ms]	1		
Operating conditions			
Ambient temperature [°C]	-40...90		
Storage temperature [°C]	-40...100		
Protection	IP 67; IP 69K		
Tests / approvals			
EMC	DIN EN 61000-6-2		
	DIN EN 61000-6-3		
Shock resistance	DIN EN 60068-2-27	50 g (11 ms)	
Vibration resistance	DIN EN 60068-2-6	20 g (10...2000 Hz)	
MTTF [years]	787		
UL approval	UL approval number	J029	
Pressure equipment directive	sound engineering practice; can be used for group 2 fluids; group 1 fluids on request		
Mechanical data			
Weight [g]	59		
Housing	tubular		
Dimensions [mm]	Ø 19 / L = 66		
Material	stainless steel (630/1.4542/17-4 PH); stainless steel (1.4404 / 316L); PEI		
Materials (wetted parts)	stainless steel (630/1.4542/17-4 PH)		
Min. pressure cycles	60 million; (at 1.2 times nominal pressure)		
Tightening torque [Nm]	25...35; (recommended tightening torque; Depends on lubrication, seal and pressure rating)		
Process connection	threaded connection G 1/4 external thread (DIN EN ISO 1179-2)		
Process connection sealing	FKM (DIN EN ISO 1179-2)		
Restrictor element integrated	no (can be retrofitted)		

PT5302



Pressure transmitter

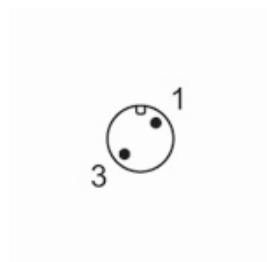
PT-100-SEG14-A-ZVG/US/ IW

Remarks

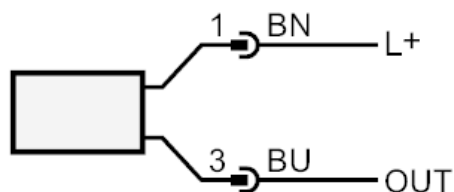
Remarks	BFSL = Best Fit Straight Line LS = limit value setting
Pack quantity	1 pcs.

Electrical connection

Connector: 1 x M12; coding: A



Connection



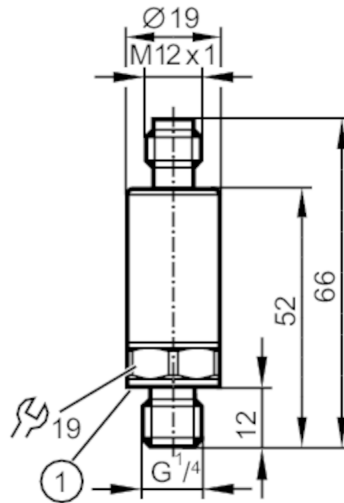
OUT analog output
 Colors to DIN EN 60947-5-2
 Core colors :
BN = brown
BU = blue

PT5303



Pressure transmitter

PT-025-SEG14-A-ZVG/US/ IW



1 sealing



Product characteristics

Number of inputs and outputs	Number of analog outputs: 1		
Measuring range	0...25 bar	0...360 psi	0...2.5 MPa
Process connection	threaded connection G 1/4 external thread (DIN EN ISO 1179-2)		

Application

Application	for industrial applications		
Media	liquids and gases		
Medium temperature [°C]	-40...90		
Min. burst pressure	600 bar	8700 psi	60 MPa
Pressure rating	65 bar	940 psi	6.5 MPa
Note on pressure rating	static		
Vacuum resistance	-1000 mbar	-0.1 MPa	
Type of pressure	relative pressure		

Electrical data

Operating voltage [V]	8.5...36 DC		
Min. insulation resistance [MΩ]	100; (500 V DC)		
Protection class	III		
Reverse polarity protection	yes		
Power-on delay time [s]	< 0.1		

Inputs / outputs

Number of inputs and outputs	Number of analog outputs: 1		
------------------------------	-----------------------------	--	--

Outputs

Total number of outputs	1		
Output signal	analog signal		
Number of analog outputs	1		
Analog current output [mA]	4...20		
Max. load [Ω]	(U _b – 8,5 V) / 21,5 mA; @8,5V= 0 Ω; @12V max. 160 Ω; @24V max. 720 Ω		
Short-circuit proof	yes		

PT5303



Pressure transmitter

PT-025-SEG14-A-ZVG/US/ IW

Overload protection	yes
---------------------	-----

Measuring/setting range

Measuring range	0...25 bar	0...360 psi	0...2.5 MPa
-----------------	------------	-------------	-------------

Accuracy / deviations

Repeatability [% of the span]	< ± 0,05; (with temperature fluctuations < 10 K)
Characteristics deviation [% of the span]	< ± 0,5; (incl. drift when overtightened, zero point and span error, non-linearity, hysteresis)
Linearity deviation [% of the span]	< ± 0,1 (BFSL) / < ± 0,2 (LS)
Hysteresis deviation [% of the span]	< ± 0,2
Long-term stability [% of the span]	< ± 0,1; (per 6 months)
Temperature coefficient zero point and span [% of the span / 10 K]	< 0,1 (-25...90 °C) / < 0,2 (-40...-25 °C)

Reaction times

Step response time analog output [ms]	1
---------------------------------------	---

Operating conditions

Ambient temperature [°C]	-40...90
Storage temperature [°C]	-40...100
Protection	IP 67; IP 69K

Tests / approvals

EMC	DIN EN 61000-6-2	
	DIN EN 61000-6-3	
Shock resistance	DIN EN 60068-2-27	50 g (11 ms)
Vibration resistance	DIN EN 60068-2-6	20 g (10...2000 Hz)
MTTF [years]		787
UL approval	UL approval number	J029
Pressure equipment directive	sound engineering practice; can be used for group 2 fluids; group 1 fluids on request	

Mechanical data

Weight [g]	58.5
Housing	tubular
Dimensions [mm]	∅ 19 / L = 66
Material	stainless steel (630/1.4542/17-4 PH); stainless steel (1.4404 / 316L); PEI
Materials (wetted parts)	stainless steel (630/1.4542/17-4 PH)
Min. pressure cycles	60 million; (at 1.2 times nominal pressure)
Tightening torque [Nm]	25...35; (recommended tightening torque; Depends on lubrication, seal and pressure rating)
Process connection	threaded connection G 1/4 external thread (DIN EN ISO 1179-2)
Process connection sealing	FKM (DIN EN ISO 1179-2)
Restrictor element integrated	no (can be retrofitted)

PT5303



Pressure transmitter

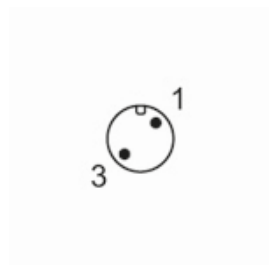
PT-025-SEG14-A-ZVG/US/ IW

Remarks

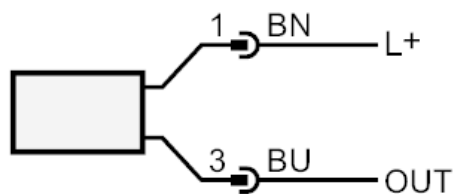
Remarks	BFSL = Best Fit Straight Line LS = limit value setting
Pack quantity	1 pcs.

Electrical connection

Connector: 1 x M12; coding: A



Connection



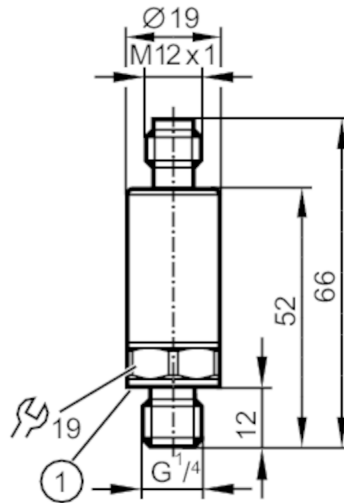
OUT analog output
 Colors to DIN EN 60947-5-2
 Core colors :
BN = brown
BU = blue

PT5304



Pressure transmitter

PT-010-SEG14-A-ZVG/US/ IW



1 sealing



Product characteristics

Number of inputs and outputs	Number of analog outputs: 1			
Measuring range	0...10 bar	0...145 psi	0...1000 kPa	0...1 MPa
Process connection	threaded connection G 1/4 external thread (DIN EN ISO 1179-2)			

Application

Application	for industrial applications		
Media	liquids and gases		
Medium temperature [°C]	-40...90		
Min. burst pressure	300 bar	4350 psi	30 MPa
Pressure rating	25 bar	360 psi	2.5 MPa
Note on pressure rating	static		
Vacuum resistance	-1000 mbar	-0.1 MPa	
Type of pressure	relative pressure		

Electrical data

Operating voltage [V]	8.5...36 DC		
Min. insulation resistance [MΩ]	100; (500 V DC)		
Protection class	III		
Reverse polarity protection	yes		
Power-on delay time [s]	< 0.1		

Inputs / outputs

Number of inputs and outputs	Number of analog outputs: 1
------------------------------	-----------------------------

Outputs

Total number of outputs	1
Output signal	analog signal
Number of analog outputs	1
Analog current output [mA]	4...20
Max. load [Ω]	($U_b - 8,5 \text{ V}$) / 21,5 mA; @8,5V= 0 Ω; @12V max. 160 Ω; @24V max. 720 Ω
Short-circuit proof	yes

PT5304



Pressure transmitter

PT-010-SEG14-A-ZVG/US/ IW

Overload protection	yes			
Measuring/setting range				
Measuring range	0...10 bar	0...145 psi	0...1000 kPa	0...1 MPa
Accuracy / deviations				
Repeatability [% of the span]	< ± 0,05; (with temperature fluctuations < 10 K)			
Characteristics deviation [% of the span]	< ± 0,5; (incl. drift when overtightened, zero point and span error, non-linearity, hysteresis)			
Linearity deviation [% of the span]	< ± 0,1 (BFSL) / < ± 0,2 (LS)			
Hysteresis deviation [% of the span]	< ± 0,2			
Long-term stability [% of the span]	< ± 0,1; (per 6 months)			
Temperature coefficient zero point and span [% of the span / 10 K]	< 0,1 (-25...90 °C) / < 0,2 (-40...-25 °C)			
Reaction times				
Step response time analog output [ms]	1			
Operating conditions				
Ambient temperature [°C]	-40...90			
Storage temperature [°C]	-40...100			
Protection	IP 67; IP 69K			
Tests / approvals				
EMC	DIN EN 61000-6-2			
	DIN EN 61000-6-3			
Shock resistance	DIN EN 60068-2-27		50 g (11 ms)	
Vibration resistance	DIN EN 60068-2-6		20 g (10...2000 Hz)	
MTTF [years]	787			
UL approval	UL approval number		J029	
Pressure equipment directive	sound engineering practice; can be used for group 2 fluids; group 1 fluids on request			
Mechanical data				
Weight [g]	58.5			
Housing	tubular			
Dimensions [mm]	Ø 19 / L = 66			
Material	stainless steel (630/1.4542/17-4 PH); stainless steel (1.4404 / 316L); PEI			
Materials (wetted parts)	stainless steel (630/1.4542/17-4 PH)			
Min. pressure cycles	60 million; (at 1.2 times nominal pressure)			
Tightening torque [Nm]	25...35; (recommended tightening torque; Depends on lubrication, seal and pressure rating)			
Process connection	threaded connection G 1/4 external thread (DIN EN ISO 1179-2)			
Process connection sealing	FKM (DIN EN ISO 1179-2)			
Restrictor element integrated	no (can be retrofitted)			

PT5304



Pressure transmitter

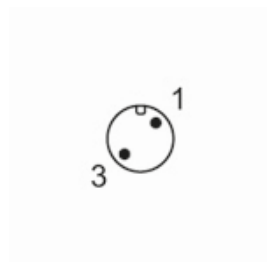
PT-010-SEG14-A-ZVG/US/ IW

Remarks

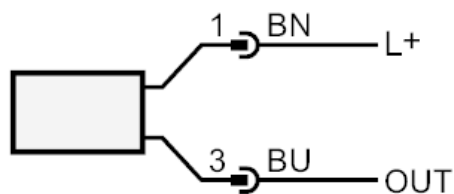
Remarks	BFSL = Best Fit Straight Line LS = limit value setting
Pack quantity	1 pcs.

Electrical connection

Connector: 1 x M12; coding: A



Connection



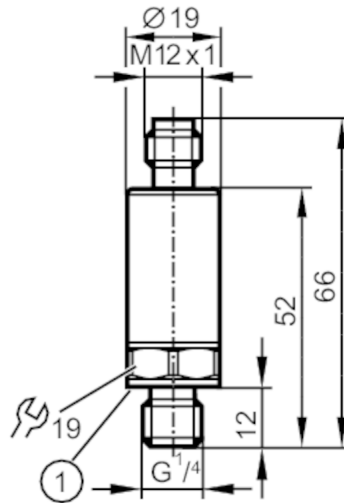
OUT analog output
 Colors to DIN EN 60947-5-2
 Core colors :
BN = brown
BU = blue

PT5312



Pressure transmitter

PT-160-SEG14-A-ZVG/US/ IW



1 sealing



Product characteristics

Number of inputs and outputs	Number of analog outputs: 1		
Measuring range	0...160 bar	0...2320 psi	0...16 MPa
Process connection	threaded connection G 1/4 external thread (DIN EN ISO 1179-2)		

Application

Application	for industrial applications		
Media	liquids and gases		
Medium temperature [°C]	-40...90		
Min. burst pressure	1100 bar	15950 psi	110 MPa
Pressure rating	400 bar	5800 psi	40 MPa
Note on pressure rating	static		
Vacuum resistance	-1000 mbar	-0.1 MPa	
Type of pressure	relative pressure		

Electrical data

Operating voltage [V]	8.5...36 DC		
Min. insulation resistance [MΩ]	100; (500 V DC)		
Protection class	III		
Reverse polarity protection	yes		
Power-on delay time [s]	< 0.1		

Inputs / outputs

Number of inputs and outputs	Number of analog outputs: 1		
------------------------------	-----------------------------	--	--

Outputs

Total number of outputs	1		
Output signal	analog signal		
Number of analog outputs	1		
Analog current output [mA]	4...20		
Max. load [Ω]	(U _b – 8,5 V) / 21,5 mA; @8,5V= 0 Ω; @12V max. 160 Ω; @24V max. 720 Ω		
Short-circuit proof	yes		

PT5312



Pressure transmitter

PT-160-SEG14-A-ZVG/US/ IW

Overload protection	yes
---------------------	-----

Measuring/setting range

Measuring range	0...160 bar	0...2320 psi	0...16 MPa
-----------------	-------------	--------------	------------

Accuracy / deviations

Repeatability [% of the span]	< ± 0,05; (with temperature fluctuations < 10 K)
Characteristics deviation [% of the span]	< ± 0,5; (incl. drift when overtightened, zero point and span error, non-linearity, hysteresis)
Linearity deviation [% of the span]	< ± 0,1 (BFSL) / < ± 0,2 (LS)
Hysteresis deviation [% of the span]	< ± 0,2
Long-term stability [% of the span]	< ± 0,1; (per 6 months)
Temperature coefficient zero point and span [% of the span / 10 K]	< 0,1 (-25...90 °C) / < 0,2 (-40...-25 °C)

Reaction times

Step response time analog output [ms]	1
---------------------------------------	---

Operating conditions

Ambient temperature [°C]	-40...90
Storage temperature [°C]	-40...100
Protection	IP 67; IP 69K

Tests / approvals

EMC	DIN EN 61000-6-2	
	DIN EN 61000-6-3	
Shock resistance	DIN EN 60068-2-27	50 g (11 ms)
Vibration resistance	DIN EN 60068-2-6	20 g (10...2000 Hz)
MTTF [years]		787
UL approval	UL approval number	J028
Pressure equipment directive	sound engineering practice; can be used for group 2 fluids; group 1 fluids on request	

Mechanical data

Weight [g]	59.5
Housing	tubular
Dimensions [mm]	∅ 19 / L = 66
Material	stainless steel (630/1.4542/17-4 PH); stainless steel (1.4404 / 316L); PEI
Materials (wetted parts)	stainless steel (630/1.4542/17-4 PH)
Min. pressure cycles	60 million; (at 1.2 times nominal pressure)
Tightening torque [Nm]	25...35; (recommended tightening torque; Depends on lubrication, seal and pressure rating)
Process connection	threaded connection G 1/4 external thread (DIN EN ISO 1179-2)
Process connection sealing	FKM (DIN EN ISO 1179-2)
Restrictor element integrated	no (can be retrofitted)

PT5312



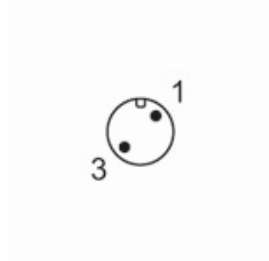
Pressure transmitter

PT-160-SEG14-A-ZVG/US/ IW

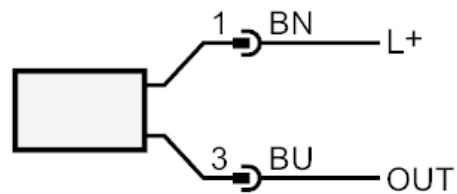
Remarks	
Remarks	BFSL = Best Fit Straight Line LS = limit value setting
Pack quantity	1 pcs.

Electrical connection

Connector: 1 x M12; coding: A



Connection



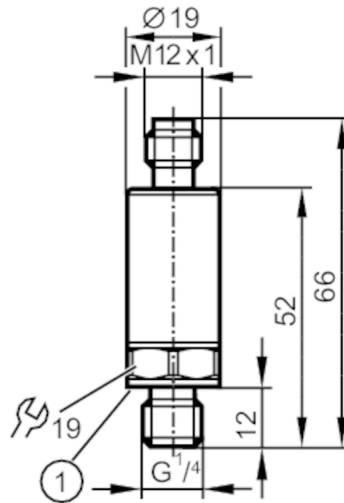
OUT analog output
 Colors to DIN EN 60947-5-2
 Core colors :
BN = brown
BU = blue

PT5314



Pressure transmitter

PT-016-SEG14-A-ZVG/US/ IW



1 sealing



Product characteristics

Number of inputs and outputs	Number of analog outputs: 1		
Measuring range	0...16 bar	0...232 psi	0...1.6 MPa
Process connection	threaded connection G 1/4 external thread (DIN EN ISO 1179-2)		

Application

Application	for industrial applications		
Media	liquids and gases		
Medium temperature [°C]	-40...90		
Min. burst pressure	450 bar	6525 psi	45 MPa
Pressure rating	40 bar	580 psi	4 MPa
Note on pressure rating	static		
Vacuum resistance	-1000 mbar	-0.1 MPa	
Type of pressure	relative pressure		

Electrical data

Operating voltage [V]	8.5...36 DC		
Min. insulation resistance [MΩ]	100; (500 V DC)		
Protection class	III		
Reverse polarity protection	yes		
Power-on delay time [s]	< 0.1		

Inputs / outputs

Number of inputs and outputs	Number of analog outputs: 1		
------------------------------	-----------------------------	--	--

Outputs

Total number of outputs	1		
Output signal	analog signal		
Number of analog outputs	1		
Analog current output [mA]	4...20		
Max. load [Ω]	(U _b – 8,5 V) / 21,5 mA; @8,5V= 0 Ω; @12V max. 160 Ω; @24V max. 720 Ω		
Short-circuit proof	yes		

PT5314



Pressure transmitter

PT-016-SEG14-A-ZVG/US/ IW

Overload protection	yes
---------------------	-----

Measuring/setting range

Measuring range	0...16 bar	0...232 psi	0...1.6 MPa
-----------------	------------	-------------	-------------

Accuracy / deviations

Repeatability [% of the span]	< ± 0,05; (with temperature fluctuations < 10 K)
Characteristics deviation [% of the span]	< ± 0,5; (incl. drift when overtightened, zero point and span error, non-linearity, hysteresis)
Linearity deviation [% of the span]	< ± 0,1 (BFSL) / < ± 0,2 (LS)
Hysteresis deviation [% of the span]	< ± 0,2
Long-term stability [% of the span]	< ± 0,1; (per 6 months)
Temperature coefficient zero point and span [% of the span / 10 K]	< 0,1 (-25...90 °C) / < 0,2 (-40...-25 °C)

Reaction times

Step response time analog output [ms]	1
---------------------------------------	---

Operating conditions

Ambient temperature [°C]	-40...90
Storage temperature [°C]	-40...100
Protection	IP 67; IP 69K

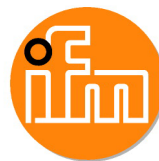
Tests / approvals

EMC	DIN EN 61000-6-2	
	DIN EN 61000-6-3	
Shock resistance	DIN EN 60068-2-27	50 g (11 ms)
Vibration resistance	DIN EN 60068-2-6	20 g (10...2000 Hz)
MTTF [years]		787
UL approval	UL approval number	J029
Pressure equipment directive	sound engineering practice; can be used for group 2 fluids; group 1 fluids on request	

Mechanical data

Weight [g]	58.5
Housing	tubular
Dimensions [mm]	∅ 19 / L = 66
Material	stainless steel (630/1.4542/17-4 PH); stainless steel (1.4404 / 316L); PEI
Materials (wetted parts)	stainless steel (630/1.4542/17-4 PH)
Min. pressure cycles	60 million; (at 1.2 times nominal pressure)
Tightening torque [Nm]	25...35; (recommended tightening torque; Depends on lubrication, seal and pressure rating)
Process connection	threaded connection G 1/4 external thread (DIN EN ISO 1179-2)
Process connection sealing	FKM (DIN EN ISO 1179-2)
Restrictor element integrated	no (can be retrofitted)

PT5314



Pressure transmitter

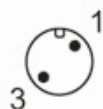
PT-016-SEG14-A-ZVG/US/ IW

Remarks

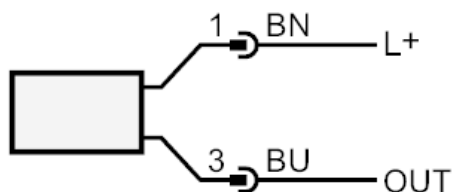
Remarks	BFSL = Best Fit Straight Line LS = limit value setting
Pack quantity	1 pcs.

Electrical connection

Connector: 1 x M12; coding: A



Connection



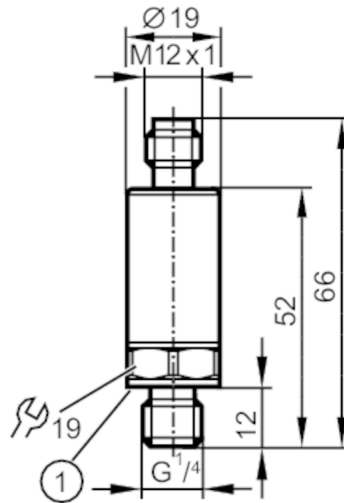
OUT analog output
 Colors to DIN EN 60947-5-2
 Core colors :
BN = brown
BU = blue

PT5315



Pressure transmitter

PT-006-SEG14-A-ZVG/US/ IW



1 sealing



Product characteristics

Number of inputs and outputs	Number of analog outputs: 1			
Measuring range	0...6 bar	0...87 psi	0...600 kPa	0...0.6 MPa
Process connection	threaded connection G 1/4 external thread (DIN EN ISO 1179-2)			

Application

Application	for industrial applications		
Media	liquids and gases		
Medium temperature [°C]	-40...90		
Min. burst pressure	200 bar	2900 psi	20 MPa
Pressure rating	15 bar	215 psi	1.5 MPa
Note on pressure rating	static		
Vacuum resistance	-1000 mbar	-0.1 MPa	
Type of pressure	relative pressure		

Electrical data

Operating voltage [V]	8.5...36 DC
Min. insulation resistance [MΩ]	100; (500 V DC)
Protection class	III
Reverse polarity protection	yes
Power-on delay time [s]	< 0.1

Inputs / outputs

Number of inputs and outputs	Number of analog outputs: 1
------------------------------	-----------------------------

Outputs

Total number of outputs	1
Output signal	analog signal
Number of analog outputs	1
Analog current output [mA]	4...20
Max. load [Ω]	($U_b - 8,5 V$) / 21,5 mA; @8,5V= 0 Ω; @12V max. 160 Ω; @24V max. 720 Ω
Short-circuit proof	yes

PT5315



Pressure transmitter

PT-006-SEG14-A-ZVG/US/ IW

Overload protection	yes			
Measuring/setting range				
Measuring range	0...6 bar	0...87 psi	0...600 kPa	0...0.6 MPa
Accuracy / deviations				
Repeatability [% of the span]	< ± 0,05; (with temperature fluctuations < 10 K)			
Characteristics deviation [% of the span]	< ± 0,5; (incl. drift when overtightened, zero point and span error, non-linearity, hysteresis)			
Linearity deviation [% of the span]	< ± 0,1 (BFSL) / < ± 0,2 (LS)			
Hysteresis deviation [% of the span]	< ± 0,2			
Long-term stability [% of the span]	< ± 0,1; (per 6 months)			
Temperature coefficient zero point and span [% of the span / 10 K]	< 0,1 (-25...90 °C) / < 0,2 (-40...-25 °C)			
Reaction times				
Step response time analog output [ms]	1			
Operating conditions				
Ambient temperature [°C]	-40...90			
Storage temperature [°C]	-40...100			
Protection	IP 67; IP 69K			
Tests / approvals				
EMC	DIN EN 61000-6-2			
	DIN EN 61000-6-3			
Shock resistance	DIN EN 60068-2-27		50 g (11 ms)	
Vibration resistance	DIN EN 60068-2-6		20 g (10...2000 Hz)	
MTTF [years]	787			
UL approval	UL approval number		J029	
Pressure equipment directive	sound engineering practice; can be used for group 2 fluids; group 1 fluids on request			
Mechanical data				
Weight [g]	58			
Housing	tubular			
Dimensions [mm]	Ø 19 / L = 66			
Material	stainless steel (630/1.4542/17-4 PH); stainless steel (1.4404 / 316L); PEI			
Materials (wetted parts)	stainless steel (630/1.4542/17-4 PH)			
Min. pressure cycles	60 million; (at 1.2 times nominal pressure)			
Tightening torque [Nm]	25...35; (recommended tightening torque; Depends on lubrication, seal and pressure rating)			
Process connection	threaded connection G 1/4 external thread (DIN EN ISO 1179-2)			
Process connection sealing	FKM (DIN EN ISO 1179-2)			
Restrictor element integrated	no (can be retrofitted)			

PT5315



Pressure transmitter

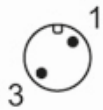
PT-006-SEG14-A-ZVG/US/ IW

Remarks

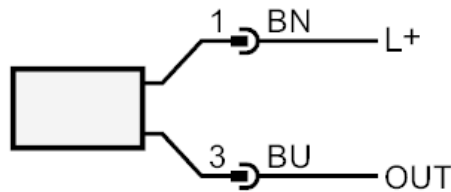
Remarks	BFSL = Best Fit Straight Line LS = limit value setting
Pack quantity	1 pcs.

Electrical connection

Connector: 1 x M12; coding: A



Connection



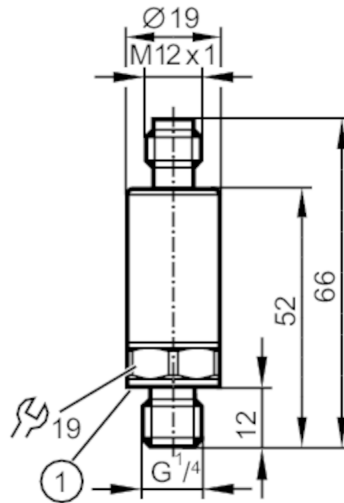
OUT analog output
 Colors to DIN EN 60947-5-2
 Core colors :
BN = brown
BU = blue

PT5343



Pressure transmitter

PT-040-SEG14-A-ZVG/US/ IW



1 sealing



Product characteristics

Number of inputs and outputs	Number of analog outputs: 1		
Measuring range	0...40 bar	0...580 psi	0...4 MPa
Process connection	threaded connection G 1/4 external thread (DIN EN ISO 1179-2)		

Application

Application	for industrial applications		
Media	liquids and gases		
Medium temperature [°C]	-40...90		
Min. burst pressure	800 bar	11600 psi	80 MPa
Pressure rating	100 bar	1450 psi	10 MPa
Note on pressure rating	static		
Vacuum resistance	-1000 mbar	-0.1 MPa	
Type of pressure	relative pressure		

Electrical data

Operating voltage [V]	8.5...36 DC		
Min. insulation resistance [MΩ]	100; (500 V DC)		
Protection class	III		
Reverse polarity protection	yes		
Power-on delay time [s]	< 0.1		

Inputs / outputs

Number of inputs and outputs	Number of analog outputs: 1		
------------------------------	-----------------------------	--	--

Outputs

Total number of outputs	1		
Output signal	analog signal		
Number of analog outputs	1		
Analog current output [mA]	4...20		
Max. load [Ω]	(U _b – 8,5 V) / 21,5 mA; @8,5V= 0 Ω; @12V max. 160 Ω; @24V max. 720 Ω		
Short-circuit proof	yes		

PT5343



Pressure transmitter

PT-040-SEG14-A-ZVG/US/ IW

Overload protection	yes
---------------------	-----

Measuring/setting range

Measuring range	0...40 bar	0...580 psi	0...4 MPa
-----------------	------------	-------------	-----------

Accuracy / deviations

Repeatability [% of the span]	< ± 0,05; (with temperature fluctuations < 10 K)
Characteristics deviation [% of the span]	< ± 0,5; (incl. drift when overtightened, zero point and span error, non-linearity, hysteresis)
Linearity deviation [% of the span]	< ± 0,1 (BFSL) / < ± 0,2 (LS)
Hysteresis deviation [% of the span]	< ± 0,2
Long-term stability [% of the span]	< ± 0,1; (per 6 months)
Temperature coefficient zero point and span [% of the span / 10 K]	< 0,1 (-25...90 °C) / < 0,2 (-40...-25 °C)

Reaction times

Step response time analog output [ms]	1
---------------------------------------	---

Operating conditions

Ambient temperature [°C]	-40...90
Storage temperature [°C]	-40...100
Protection	IP 67; IP 69K

Tests / approvals

EMC	DIN EN 61000-6-2	
	DIN EN 61000-6-3	
Shock resistance	DIN EN 60068-2-27	50 g (11 ms)
Vibration resistance	DIN EN 60068-2-6	20 g (10...2000 Hz)
MTTF [years]		787
UL approval	UL approval number	J029
Pressure equipment directive	sound engineering practice; can be used for group 2 fluids; group 1 fluids on request	

Mechanical data

Weight [g]	59
Housing	tubular
Dimensions [mm]	Ø 19 / L = 66
Material	stainless steel (630/1.4542/17-4 PH); stainless steel (1.4404 / 316L); PEI
Materials (wetted parts)	stainless steel (630/1.4542/17-4 PH)
Min. pressure cycles	60 million; (at 1.2 times nominal pressure)
Tightening torque [Nm]	25...35; (recommended tightening torque; Depends on lubrication, seal and pressure rating)
Process connection	threaded connection G 1/4 external thread (DIN EN ISO 1179-2)
Process connection sealing	FKM (DIN EN ISO 1179-2)
Restrictor element integrated	no (can be retrofitted)

PT5343



Pressure transmitter

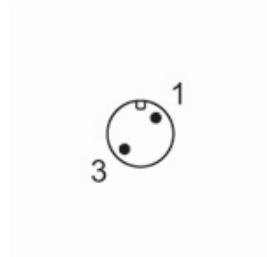
PT-040-SEG14-A-ZVG/US/ IW

Remarks

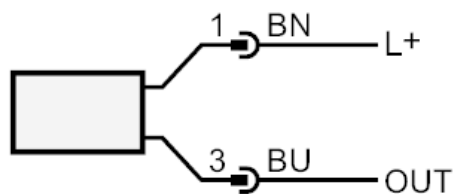
Remarks	BFSL = Best Fit Straight Line LS = limit value setting
Pack quantity	1 pcs.

Electrical connection

Connector: 1 x M12; coding: A



Connection



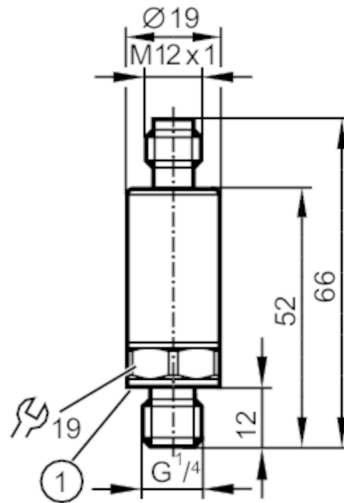
OUT1 analog output
 Colors to DIN EN 60947-5-2
 Core colors :
BN = brown
BU = blue

PT5400



Pressure transmitter

PT-400-SEG14-A-ZVG/US/ IW



1 sealing



Product characteristics

Number of inputs and outputs	Number of analog outputs: 1		
Measuring range	0...400 bar	0...5800 psi	0...40 MPa
Process connection	threaded connection G 1/4 external thread (DIN EN ISO 1179-2)		

Application

Application	for industrial applications		
Media	liquids and gases		
Medium temperature [°C]	-40...90		
Min. burst pressure	1700 bar	24655 psi	170 MPa
Pressure rating	1000 bar	14500 psi	100 MPa
Note on pressure rating	static		
Vacuum resistance	-1000 mbar	-0.1 MPa	
Type of pressure	relative pressure		

Electrical data

Operating voltage [V]	8.5...36 DC		
Min. insulation resistance [MΩ]	100; (500 V DC)		
Protection class	III		
Reverse polarity protection	yes		
Power-on delay time [s]	< 0.1		

Inputs / outputs

Number of inputs and outputs	Number of analog outputs: 1		
------------------------------	-----------------------------	--	--

Outputs

Total number of outputs	1		
Output signal	analog signal		
Number of analog outputs	1		
Analog current output [mA]	4...20		
Max. load [Ω]	(U _b – 8,5 V) / 21,5 mA; @8,5V= 0 Ω; @12V max. 160 Ω; @24V max. 720 Ω		
Short-circuit proof	yes		

PT5400



Pressure transmitter

PT-400-SEG14-A-ZVG/US/ IW

Overload protection	yes		
Measuring/setting range			
Measuring range	0...400 bar	0...5800 psi	0...40 MPa
Accuracy / deviations			
Repeatability [% of the span]	< ± 0,05; (with temperature fluctuations < 10 K)		
Characteristics deviation [% of the span]	< ± 0,5; (incl. drift when overtightened, zero point and span error, non-linearity, hysteresis)		
Linearity deviation [% of the span]	< ± 0,1 (BFSL) / < ± 0,2 (LS)		
Hysteresis deviation [% of the span]	< ± 0,2		
Long-term stability [% of the span]	< ± 0,1; (per 6 months)		
Temperature coefficient zero point and span [% of the span / 10 K]	< 0,1 (-25...90 °C) / < 0,2 (-40...-25 °C)		
Reaction times			
Step response time analog output [ms]	1		
Operating conditions			
Ambient temperature [°C]	-40...90		
Storage temperature [°C]	-40...100		
Protection	IP 67; IP 69K		
Tests / approvals			
EMC	DIN EN 61000-6-2		
	DIN EN 61000-6-3		
Shock resistance	DIN EN 60068-2-27	50 g (11 ms)	
Vibration resistance	DIN EN 60068-2-6	20 g (10...2000 Hz)	
MTTF [years]	686		
Pressure equipment directive	sound engineering practice; can be used for group 2 fluids; group 1 fluids on request		
Mechanical data			
Weight [g]	60		
Housing	tubular		
Dimensions [mm]	Ø 19 / L = 66		
Material	stainless steel (630/1.4542/17-4 PH); stainless steel (1.4404 / 316L); PEI		
Materials (wetted parts)	stainless steel (630/1.4542/17-4 PH)		
Min. pressure cycles	60 million; (at 1.2 times nominal pressure)		
Tightening torque [Nm]	25...35; (recommended tightening torque; Depends on lubrication, seal and pressure rating)		
Process connection	threaded connection G 1/4 external thread (DIN EN ISO 1179-2)		
Process connection sealing	FKM (DIN EN ISO 1179-2)		
Restrictor element integrated	no (can be retrofitted)		
Remarks			
Remarks	BFSL = Best Fit Straight Line LS = limit value setting		

PT5400



Pressure transmitter

PT-400-SEG14-A-ZVG/US/ IW

Pack quantity

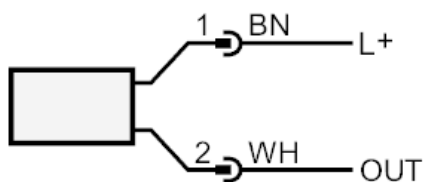
1 pcs.

Electrical connection

Connector: 1 x M12; coding: A



Connection



OUT

analog output

The following pin connection is available at article number PT53xx Pin 1: L+, Pin 3: OUT

Colors to DIN EN 60947-5-2

Core colors :

BN

brown

WH

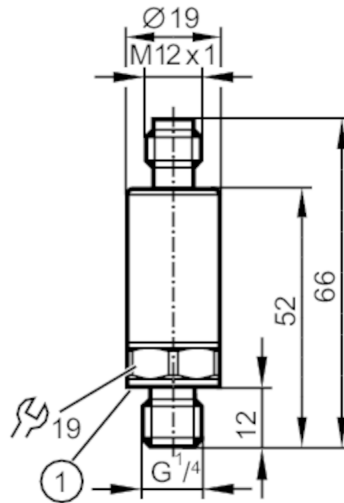
white

PT5401



Pressure transmitter

PT-250-SEG14-A-ZVG/US/ IW



1 sealing



Product characteristics

Number of inputs and outputs	Number of analog outputs: 1		
Measuring range	0...250 bar	0...3625 psi	0...25 MPa
Process connection	threaded connection G 1/4 external thread (DIN EN ISO 1179-2)		

Application

Application	for industrial applications		
Media	liquids and gases		
Medium temperature [°C]	-40...90		
Min. burst pressure	1200 bar	17400 psi	120 MPa
Pressure rating	625 bar	9060 psi	62.5 MPa
Note on pressure rating	static		
Vacuum resistance	-1000 mbar	-0.1 MPa	
Type of pressure	relative pressure		

Electrical data

Operating voltage [V]	8.5...36 DC		
Min. insulation resistance [MΩ]	100; (500 V DC)		
Protection class	III		
Reverse polarity protection	yes		
Power-on delay time [s]	< 0.1		

Inputs / outputs

Number of inputs and outputs	Number of analog outputs: 1		
------------------------------	-----------------------------	--	--

Outputs

Total number of outputs	1		
Output signal	analog signal		
Number of analog outputs	1		
Analog current output [mA]	4...20		
Max. load [Ω]	(U _b – 8,5 V) / 21,5 mA; @8,5V= 0 Ω; @12V max. 160 Ω; @24V max. 720 Ω		
Short-circuit proof	yes		

PT5401



Pressure transmitter

PT-250-SEG14-A-ZVG/US/ IW

Overload protection	yes		
Measuring/setting range			
Measuring range	0...250 bar	0...3625 psi	0...25 MPa
Accuracy / deviations			
Repeatability [% of the span]	< ± 0,05; (with temperature fluctuations < 10 K)		
Characteristics deviation [% of the span]	< ± 0,5; (incl. drift when overtightened, zero point and span error, non-linearity, hysteresis)		
Linearity deviation [% of the span]	< ± 0,1 (BFSL) / < ± 0,2 (LS)		
Hysteresis deviation [% of the span]	< ± 0,2		
Long-term stability [% of the span]	< ± 0,1; (per 6 months)		
Temperature coefficient zero point and span [% of the span / 10 K]	< 0,1 (-25...90 °C) / < 0,2 (-40...-25 °C)		
Reaction times			
Step response time analog output [ms]	1		
Operating conditions			
Ambient temperature [°C]	-40...90		
Storage temperature [°C]	-40...100		
Protection	IP 67; IP 69K		
Tests / approvals			
EMC	DIN EN 61000-6-2		
	DIN EN 61000-6-3		
Shock resistance	DIN EN 60068-2-27	50 g (11 ms)	
Vibration resistance	DIN EN 60068-2-6	20 g (10...2000 Hz)	
MTTF [years]	686		
Pressure equipment directive	sound engineering practice; can be used for group 2 fluids; group 1 fluids on request		
Mechanical data			
Weight [g]	60		
Housing	tubular		
Dimensions [mm]	Ø 19 / L = 66		
Material	stainless steel (630/1.4542/17-4 PH); stainless steel (1.4404 / 316L); PEI		
Materials (wetted parts)	stainless steel (630/1.4542/17-4 PH)		
Min. pressure cycles	60 million; (at 1.2 times nominal pressure)		
Tightening torque [Nm]	25...35; (recommended tightening torque; Depends on lubrication, seal and pressure rating)		
Process connection	threaded connection G 1/4 external thread (DIN EN ISO 1179-2)		
Process connection sealing	FKM (DIN EN ISO 1179-2)		
Restrictor element integrated	no (can be retrofitted)		
Remarks			
Remarks	BFSL = Best Fit Straight Line LS = limit value setting		

PT5401



Pressure transmitter

PT-250-SEG14-A-ZVG/US/ IW

Pack quantity

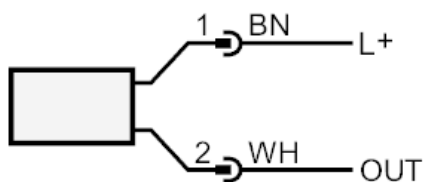
1 pcs.

Electrical connection

Connector: 1 x M12; coding: A



Connection



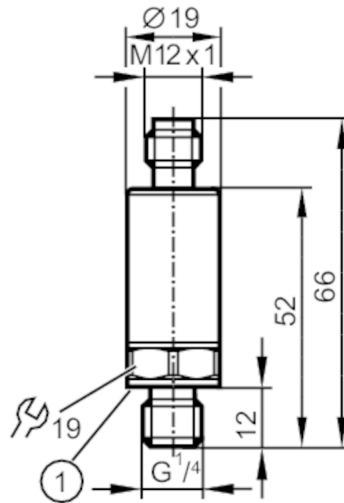
OUT	analog output The following pin connection is available at article number PT53xx Pin 1: L+, Pin 3: OUT Colors to DIN EN 60947-5-2 Core colors :
BN	brown
WH	white

PT5402



Pressure transmitter

PT-100-SEG14-A-ZVG/US/ IW



1 sealing



Product characteristics

Number of inputs and outputs	Number of analog outputs: 1		
Measuring range	0...100 bar	0...1450 psi	0...10 MPa
Process connection	threaded connection G 1/4 external thread (DIN EN ISO 1179-2)		

Application

Application	for industrial applications		
Media	liquids and gases		
Medium temperature [°C]	-40...90		
Min. burst pressure	1000 bar	14500 psi	100 MPa
Pressure rating	250 bar	3625 psi	25 MPa
Note on pressure rating	static		
Vacuum resistance	-1000 mbar	-0.1 MPa	
Type of pressure	relative pressure		

Electrical data

Operating voltage [V]	8.5...36 DC		
Min. insulation resistance [MΩ]	100; (500 V DC)		
Protection class	III		
Reverse polarity protection	yes		
Power-on delay time [s]	< 0.1		

Inputs / outputs

Number of inputs and outputs	Number of analog outputs: 1		
------------------------------	-----------------------------	--	--

Outputs

Total number of outputs	1		
Output signal	analog signal		
Number of analog outputs	1		
Analog current output [mA]	4...20		
Max. load [Ω]	(U _b – 8,5 V) / 21,5 mA; @8,5V= 0 Ω; @12V max. 160 Ω; @24V max. 720 Ω		
Short-circuit proof	yes		

PT5402



Pressure transmitter

PT-100-SEG14-A-ZVG/US/ IW

Overload protection	yes		
Measuring/setting range			
Measuring range	0...100 bar	0...1450 psi	0...10 MPa
Accuracy / deviations			
Repeatability [% of the span]	< ± 0,05; (with temperature fluctuations < 10 K)		
Characteristics deviation [% of the span]	< ± 0,5; (incl. drift when overtightened, zero point and span error, non-linearity, hysteresis)		
Linearity deviation [% of the span]	< ± 0,1 (BFSL) / < ± 0,2 (LS)		
Hysteresis deviation [% of the span]	< ± 0,2		
Long-term stability [% of the span]	< ± 0,1; (per 6 months)		
Temperature coefficient zero point and span [% of the span / 10 K]	< 0,1 (-25...90 °C) / < 0,2 (-40...-25 °C)		
Reaction times			
Step response time analog output [ms]	1		
Operating conditions			
Ambient temperature [°C]	-40...90		
Storage temperature [°C]	-40...100		
Protection	IP 67; IP 69K		
Tests / approvals			
EMC	DIN EN 61000-6-2		
	DIN EN 61000-6-3		
Shock resistance	DIN EN 60068-2-27	50 g (11 ms)	
Vibration resistance	DIN EN 60068-2-6	20 g (10...2000 Hz)	
MTTF [years]	686		
Pressure equipment directive	sound engineering practice; can be used for group 2 fluids; group 1 fluids on request		
Mechanical data			
Weight [g]	59		
Housing	tubular		
Dimensions [mm]	Ø 19 / L = 66		
Material	stainless steel (630/1.4542/17-4 PH); stainless steel (1.4404 / 316L); PEI		
Materials (wetted parts)	stainless steel (630/1.4542/17-4 PH)		
Min. pressure cycles	60 million; (at 1.2 times nominal pressure)		
Tightening torque [Nm]	25...35; (recommended tightening torque; Depends on lubrication, seal and pressure rating)		
Process connection	threaded connection G 1/4 external thread (DIN EN ISO 1179-2)		
Process connection sealing	FKM (DIN EN ISO 1179-2)		
Restrictor element integrated	no (can be retrofitted)		
Remarks			
Remarks	BFSL = Best Fit Straight Line LS = limit value setting		

PT5402



Pressure transmitter

PT-100-SEG14-A-ZVG/US/ IW

Pack quantity

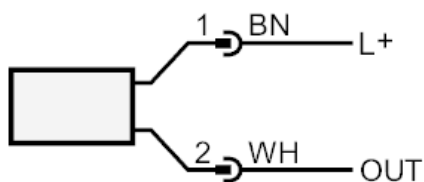
1 pcs.

Electrical connection

Connector: 1 x M12; coding: A



Connection



OUT

analog output

The following pin connection is available at article number PT53xx Pin 1: L+, Pin 3: OUT

Colors to DIN EN 60947-5-2

Core colors :

BN

brown

WH

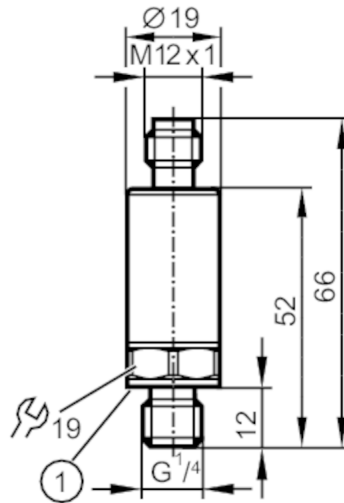
white

PT5402



Pressure transmitter

PT-100-SEG14-A-ZVG/US/ IW



1 sealing



Product characteristics

Number of inputs and outputs	Number of analog outputs: 1		
Measuring range	0...100 bar	0...1450 psi	0...10 MPa
Process connection	threaded connection G 1/4 external thread (DIN EN ISO 1179-2)		

Application

Application	for industrial applications		
Media	liquids and gases		
Medium temperature [°C]	-40...90		
Min. burst pressure	1000 bar	14500 psi	100 MPa
Pressure rating	250 bar	3625 psi	25 MPa
Note on pressure rating	static		
Vacuum resistance	-1000 mbar	-0.1 MPa	
Type of pressure	relative pressure		

Electrical data

Operating voltage [V]	8.5...36 DC		
Min. insulation resistance [MΩ]	100; (500 V DC)		
Protection class	III		
Reverse polarity protection	yes		
Power-on delay time [s]	< 0.1		

Inputs / outputs

Number of inputs and outputs	Number of analog outputs: 1		
------------------------------	-----------------------------	--	--

Outputs

Total number of outputs	1		
Output signal	analog signal		
Number of analog outputs	1		
Analog current output [mA]	4...20		
Max. load [Ω]	(U _b – 8,5 V) / 21,5 mA; @8,5V= 0 Ω; @12V max. 160 Ω; @24V max. 720 Ω		
Short-circuit proof	yes		

PT5402



Pressure transmitter

PT-100-SEG14-A-ZVG/US/ IW

Overload protection	yes		
Measuring/setting range			
Measuring range	0...100 bar	0...1450 psi	0...10 MPa
Accuracy / deviations			
Repeatability [% of the span]	< ± 0,05; (with temperature fluctuations < 10 K)		
Characteristics deviation [% of the span]	< ± 0,5; (incl. drift when overtightened, zero point and span error, non-linearity, hysteresis)		
Linearity deviation [% of the span]	< ± 0,1 (BFSL) / < ± 0,2 (LS)		
Hysteresis deviation [% of the span]	< ± 0,2		
Long-term stability [% of the span]	< ± 0,1; (per 6 months)		
Temperature coefficient zero point and span [% of the span / 10 K]	< 0,1 (-25...90 °C) / < 0,2 (-40...-25 °C)		
Reaction times			
Step response time analog output [ms]	1		
Operating conditions			
Ambient temperature [°C]	-40...90		
Storage temperature [°C]	-40...100		
Protection	IP 67; IP 69K		
Tests / approvals			
EMC	DIN EN 61000-6-2		
	DIN EN 61000-6-3		
Shock resistance	DIN EN 60068-2-27	50 g (11 ms)	
Vibration resistance	DIN EN 60068-2-6	20 g (10...2000 Hz)	
MTTF [years]	686		
Pressure equipment directive	sound engineering practice; can be used for group 2 fluids; group 1 fluids on request		
Mechanical data			
Weight [g]	59		
Housing	tubular		
Dimensions [mm]	Ø 19 / L = 66		
Material	stainless steel (630/1.4542/17-4 PH); stainless steel (1.4404 / 316L); PEI		
Materials (wetted parts)	stainless steel (630/1.4542/17-4 PH)		
Min. pressure cycles	60 million; (at 1.2 times nominal pressure)		
Tightening torque [Nm]	25...35; (recommended tightening torque; Depends on lubrication, seal and pressure rating)		
Process connection	threaded connection G 1/4 external thread (DIN EN ISO 1179-2)		
Process connection sealing	FKM (DIN EN ISO 1179-2)		
Restrictor element integrated	no (can be retrofitted)		
Remarks			
Remarks	BFSL = Best Fit Straight Line LS = limit value setting		

PT5402



Pressure transmitter

PT-100-SEG14-A-ZVG/US/ IW

Pack quantity

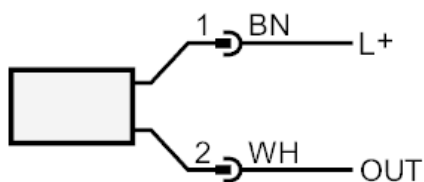
1 pcs.

Electrical connection

Connector: 1 x M12; coding: A



Connection



OUT

analog output

The following pin connection is available at article number PT53xx Pin 1: L+, Pin 3: OUT

Colors to DIN EN 60947-5-2

Core colors :

BN

brown

WH

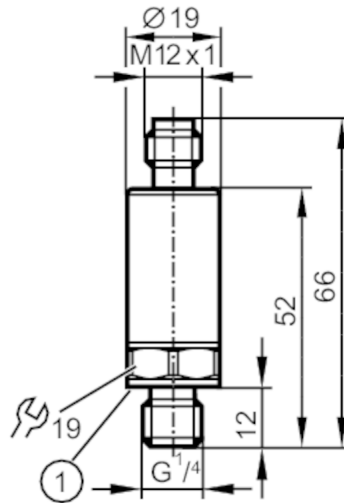
white

PT5403



Pressure transmitter

PT-025-SEG14-A-ZVG/US/ IW



1 sealing



Product characteristics

Number of inputs and outputs	Number of analog outputs: 1		
Measuring range	0...25 bar	0...360 psi	0...2.5 MPa
Process connection	threaded connection G 1/4 external thread (DIN EN ISO 1179-2)		

Application

Application	for industrial applications		
Media	liquids and gases		
Medium temperature [°C]	-40...90		
Min. burst pressure	600 bar	8700 psi	60 MPa
Pressure rating	65 bar	940 psi	6.5 MPa
Note on pressure rating	static		
Vacuum resistance	-1000 mbar	-0.1 MPa	
Type of pressure	relative pressure		

Electrical data

Operating voltage [V]	8.5...36 DC		
Min. insulation resistance [MΩ]	100; (500 V DC)		
Protection class	III		
Reverse polarity protection	yes		
Power-on delay time [s]	< 0.1		

Inputs / outputs

Number of inputs and outputs	Number of analog outputs: 1		
------------------------------	-----------------------------	--	--

Outputs

Total number of outputs	1		
Output signal	analog signal		
Number of analog outputs	1		
Analog current output [mA]	4...20		
Max. load [Ω]	(U _b – 8,5 V) / 21,5 mA; @8,5V= 0 Ω; @12V max. 160 Ω; @24V max. 720 Ω		
Short-circuit proof	yes		

PT5403

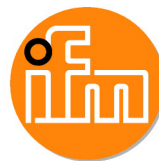


Pressure transmitter

PT-025-SEG14-A-ZVG/US/ IW

Overload protection	yes		
Measuring/setting range			
Measuring range	0...25 bar	0...360 psi	0...2.5 MPa
Accuracy / deviations			
Repeatability [% of the span]	< ± 0,05; (with temperature fluctuations < 10 K)		
Characteristics deviation [% of the span]	< ± 0,5; (incl. drift when overtightened, zero point and span error, non-linearity, hysteresis)		
Linearity deviation [% of the span]	< ± 0,1 (BFSL) / < ± 0,2 (LS)		
Hysteresis deviation [% of the span]	< ± 0,2		
Long-term stability [% of the span]	< ± 0,1; (per 6 months)		
Temperature coefficient zero point and span [% of the span / 10 K]	< 0,1 (-25...90 °C) / < 0,2 (-40...-25 °C)		
Reaction times			
Step response time analog output [ms]	1		
Operating conditions			
Ambient temperature [°C]	-40...90		
Storage temperature [°C]	-40...100		
Protection	IP 67; IP 69K		
Tests / approvals			
EMC	DIN EN 61000-6-2		
	DIN EN 61000-6-3		
Shock resistance	DIN EN 60068-2-27	50 g (11 ms)	
Vibration resistance	DIN EN 60068-2-6	20 g (10...2000 Hz)	
MTTF [years]	686		
Pressure equipment directive	sound engineering practice; can be used for group 2 fluids; group 1 fluids on request		
Mechanical data			
Weight [g]	59		
Housing	tubular		
Dimensions [mm]	Ø 19 / L = 66		
Material	stainless steel (630/1.4542/17-4 PH); stainless steel (1.4404 / 316L); PEI		
Materials (wetted parts)	stainless steel (630/1.4542/17-4 PH)		
Min. pressure cycles	60 million; (at 1.2 times nominal pressure)		
Tightening torque [Nm]	25...35; (recommended tightening torque; Depends on lubrication, seal and pressure rating)		
Process connection	threaded connection G 1/4 external thread (DIN EN ISO 1179-2)		
Process connection sealing	FKM (DIN EN ISO 1179-2)		
Restrictor element integrated	no (can be retrofitted)		
Remarks			
Remarks	BFSL = Best Fit Straight Line LS = limit value setting		

PT5403



Pressure transmitter

PT-025-SEG14-A-ZVG/US/ IW

Pack quantity

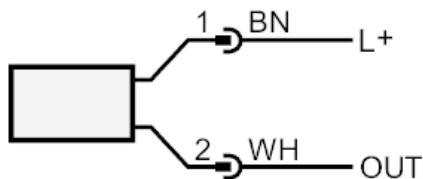
1 pcs.

Electrical connection

Connector: 1 x M12; coding: A



Connection



OUT

analog output

The following pin connection is available at article number PT53xx Pin 1: L+, Pin 3: OUT

Colors to DIN EN 60947-5-2

Core colors :

BN

brown

WH

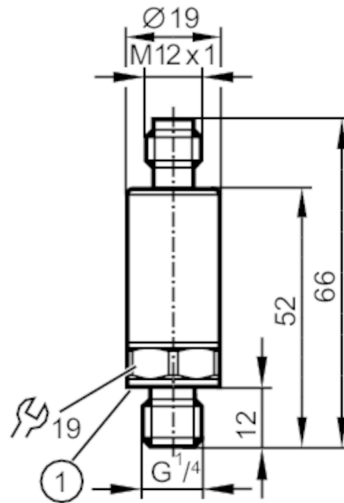
white

PT5403



Pressure transmitter

PT-025-SEG14-A-ZVG/US/ IW



1 sealing



Product characteristics

Number of inputs and outputs	Number of analog outputs: 1		
Measuring range	0...25 bar	0...360 psi	0...2.5 MPa
Process connection	threaded connection G 1/4 external thread (DIN EN ISO 1179-2)		

Application

Application	for industrial applications		
Media	liquids and gases		
Medium temperature [°C]	-40...90		
Min. burst pressure	600 bar	8700 psi	60 MPa
Pressure rating	65 bar	940 psi	6.5 MPa
Note on pressure rating	static		
Vacuum resistance	-1000 mbar	-0.1 MPa	
Type of pressure	relative pressure		

Electrical data

Operating voltage [V]	8.5...36 DC		
Min. insulation resistance [MΩ]	100; (500 V DC)		
Protection class	III		
Reverse polarity protection	yes		
Power-on delay time [s]	< 0.1		

Inputs / outputs

Number of inputs and outputs	Number of analog outputs: 1		
------------------------------	-----------------------------	--	--

Outputs

Total number of outputs	1		
Output signal	analog signal		
Number of analog outputs	1		
Analog current output [mA]	4...20		
Max. load [Ω]	(U _b – 8,5 V) / 21,5 mA; @8,5V= 0 Ω; @12V max. 160 Ω; @24V max. 720 Ω		
Short-circuit proof	yes		

PT5403



Pressure transmitter

PT-025-SEG14-A-ZVG/US/ IW

Overload protection	yes		
Measuring/setting range			
Measuring range	0...25 bar	0...360 psi	0...2.5 MPa
Accuracy / deviations			
Repeatability [% of the span]	< ± 0,05; (with temperature fluctuations < 10 K)		
Characteristics deviation [% of the span]	< ± 0,5; (incl. drift when overtightened, zero point and span error, non-linearity, hysteresis)		
Linearity deviation [% of the span]	< ± 0,1 (BFSL) / < ± 0,2 (LS)		
Hysteresis deviation [% of the span]	< ± 0,2		
Long-term stability [% of the span]	< ± 0,1; (per 6 months)		
Temperature coefficient zero point and span [% of the span / 10 K]	< 0,1 (-25...90 °C) / < 0,2 (-40...-25 °C)		
Reaction times			
Step response time analog output [ms]	1		
Operating conditions			
Ambient temperature [°C]	-40...90		
Storage temperature [°C]	-40...100		
Protection	IP 67; IP 69K		
Tests / approvals			
EMC	DIN EN 61000-6-2		
	DIN EN 61000-6-3		
Shock resistance	DIN EN 60068-2-27	50 g (11 ms)	
Vibration resistance	DIN EN 60068-2-6	20 g (10...2000 Hz)	
MTTF [years]	686		
Pressure equipment directive	sound engineering practice; can be used for group 2 fluids; group 1 fluids on request		
Mechanical data			
Weight [g]	59		
Housing	tubular		
Dimensions [mm]	Ø 19 / L = 66		
Material	stainless steel (630/1.4542/17-4 PH); stainless steel (1.4404 / 316L); PEI		
Materials (wetted parts)	stainless steel (630/1.4542/17-4 PH)		
Min. pressure cycles	60 million; (at 1.2 times nominal pressure)		
Tightening torque [Nm]	25...35; (recommended tightening torque; Depends on lubrication, seal and pressure rating)		
Process connection	threaded connection G 1/4 external thread (DIN EN ISO 1179-2)		
Process connection sealing	FKM (DIN EN ISO 1179-2)		
Restrictor element integrated	no (can be retrofitted)		
Remarks			
Remarks	BFSL = Best Fit Straight Line LS = limit value setting		

PT5403



Pressure transmitter

PT-025-SEG14-A-ZVG/US/ IW

Pack quantity

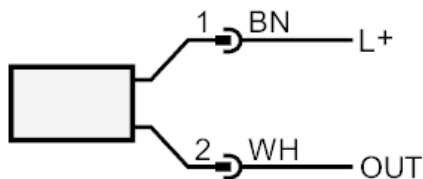
1 pcs.

Electrical connection

Connector: 1 x M12; coding: A



Connection



OUT

analog output

The following pin connection is available at article number PT53xx Pin 1: L+, Pin 3: OUT

Colors to DIN EN 60947-5-2

Core colors :

BN

brown

WH

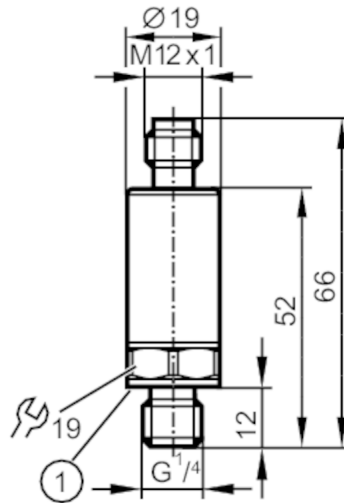
white

PT5404



Pressure transmitter

PT-010-SEG14-A-ZVG/US/ IW



1 sealing



Product characteristics

Number of inputs and outputs	Number of analog outputs: 1			
Measuring range	0...10 bar	0...145 psi	0...1000 kPa	0...1 MPa
Process connection	threaded connection G 1/4 external thread (DIN EN ISO 1179-2)			

Application

Application	for industrial applications		
Media	liquids and gases		
Medium temperature [°C]	-40...90		
Min. burst pressure	300 bar	4350 psi	30 MPa
Pressure rating	25 bar	360 psi	2.5 MPa
Note on pressure rating	static		
Vacuum resistance	-1000 mbar	-0.1 MPa	
Type of pressure	relative pressure		

Electrical data

Operating voltage [V]	8.5...36 DC
Min. insulation resistance [MΩ]	100; (500 V DC)
Protection class	III
Reverse polarity protection	yes
Power-on delay time [s]	< 0.1

Inputs / outputs

Number of inputs and outputs	Number of analog outputs: 1
------------------------------	-----------------------------

Outputs

Total number of outputs	1
Output signal	analog signal
Number of analog outputs	1
Analog current output [mA]	4...20
Max. load [Ω]	($U_b - 8,5 V$) / 21,5 mA; @8,5V= 0 Ω; @12V max. 160 Ω; @24V max. 720 Ω
Short-circuit proof	yes

PT5404



Pressure transmitter

PT-010-SEG14-A-ZVG/US/ IW

Overload protection	yes			
Measuring/setting range				
Measuring range	0...10 bar	0...145 psi	0...1000 kPa	0...1 MPa
Accuracy / deviations				
Repeatability [% of the span]	< ± 0,05; (with temperature fluctuations < 10 K)			
Characteristics deviation [% of the span]	< ± 0,5; (incl. drift when overtightened, zero point and span error, non-linearity, hysteresis)			
Linearity deviation [% of the span]	< ± 0,1 (BFSL) / < ± 0,2 (LS)			
Hysteresis deviation [% of the span]	< ± 0,2			
Long-term stability [% of the span]	< ± 0,1; (per 6 months)			
Temperature coefficient zero point and span [% of the span / 10 K]	< 0,1 (-25...90 °C) / < 0,2 (-40...-25 °C)			
Reaction times				
Step response time analog output [ms]	1			
Operating conditions				
Ambient temperature [°C]	-40...90			
Storage temperature [°C]	-40...100			
Protection	IP 67; IP 69K			
Tests / approvals				
EMC	DIN EN 61000-6-2			
	DIN EN 61000-6-3			
Shock resistance	DIN EN 60068-2-27		50 g (11 ms)	
Vibration resistance	DIN EN 60068-2-6		20 g (10...2000 Hz)	
MTTF [years]	686			
Pressure equipment directive	sound engineering practice; can be used for group 2 fluids; group 1 fluids on request			
Mechanical data				
Weight [g]	59			
Housing	tubular			
Dimensions [mm]	Ø 19 / L = 66			
Material	stainless steel (630/1.4542/17-4 PH); stainless steel (1.4404 / 316L); PEI			
Materials (wetted parts)	stainless steel (630/1.4542/17-4 PH)			
Min. pressure cycles	60 million; (at 1.2 times nominal pressure)			
Tightening torque [Nm]	25...35; (recommended tightening torque; Depends on lubrication, seal and pressure rating)			
Process connection	threaded connection G 1/4 external thread (DIN EN ISO 1179-2)			
Process connection sealing	FKM (DIN EN ISO 1179-2)			
Restrictor element integrated	no (can be retrofitted)			
Remarks				
Remarks	BFSL = Best Fit Straight Line LS = limit value setting			

PT5404



Pressure transmitter

PT-010-SEG14-A-ZVG/US/ IW

Pack quantity

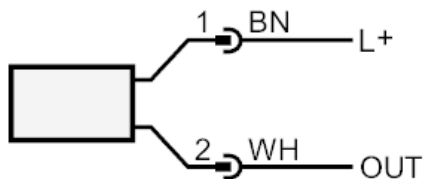
1 pcs.

Electrical connection

Connector: 1 x M12; coding: A



Connection



OUT

analog output

The following pin connection is available at article number PT53xx Pin 1: L+, Pin 3: OUT

Colors to DIN EN 60947-5-2

Core colors :

BN

brown

WH

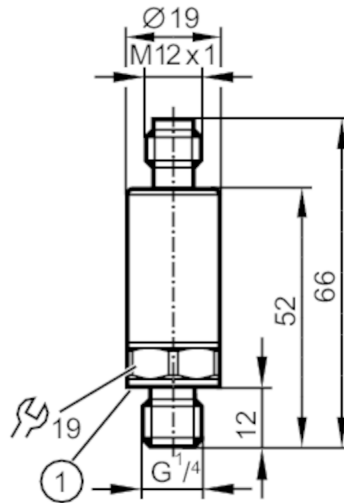
white

PT5404



Pressure transmitter

PT-010-SEG14-A-ZVG/US/ IW



1 sealing



Product characteristics

Number of inputs and outputs	Number of analog outputs: 1			
Measuring range	0...10 bar	0...145 psi	0...1000 kPa	0...1 MPa
Process connection	threaded connection G 1/4 external thread (DIN EN ISO 1179-2)			

Application

Application	for industrial applications		
Media	liquids and gases		
Medium temperature [°C]	-40...90		
Min. burst pressure	300 bar	4350 psi	30 MPa
Pressure rating	25 bar	360 psi	2.5 MPa
Note on pressure rating	static		
Vacuum resistance	-1000 mbar	-0.1 MPa	
Type of pressure	relative pressure		

Electrical data

Operating voltage [V]	8.5...36 DC
Min. insulation resistance [MΩ]	100; (500 V DC)
Protection class	III
Reverse polarity protection	yes
Power-on delay time [s]	< 0.1

Inputs / outputs

Number of inputs and outputs	Number of analog outputs: 1
------------------------------	-----------------------------

Outputs

Total number of outputs	1
Output signal	analog signal
Number of analog outputs	1
Analog current output [mA]	4...20
Max. load [Ω]	($U_b - 8,5 V$) / 21,5 mA; @8,5V= 0 Ω; @12V max. 160 Ω; @24V max. 720 Ω
Short-circuit proof	yes

PT5404



Pressure transmitter

PT-010-SEG14-A-ZVG/US/ IW

Overload protection	yes			
Measuring/setting range				
Measuring range	0...10 bar	0...145 psi	0...1000 kPa	0...1 MPa
Accuracy / deviations				
Repeatability [% of the span]	< ± 0,05; (with temperature fluctuations < 10 K)			
Characteristics deviation [% of the span]	< ± 0,5; (incl. drift when overtightened, zero point and span error, non-linearity, hysteresis)			
Linearity deviation [% of the span]	< ± 0,1 (BFSL) / < ± 0,2 (LS)			
Hysteresis deviation [% of the span]	< ± 0,2			
Long-term stability [% of the span]	< ± 0,1; (per 6 months)			
Temperature coefficient zero point and span [% of the span / 10 K]	< 0,1 (-25...90 °C) / < 0,2 (-40...-25 °C)			
Reaction times				
Step response time analog output [ms]	1			
Operating conditions				
Ambient temperature [°C]	-40...90			
Storage temperature [°C]	-40...100			
Protection	IP 67; IP 69K			
Tests / approvals				
EMC	DIN EN 61000-6-2			
	DIN EN 61000-6-3			
Shock resistance	DIN EN 60068-2-27		50 g (11 ms)	
Vibration resistance	DIN EN 60068-2-6		20 g (10...2000 Hz)	
MTTF [years]	686			
Pressure equipment directive	sound engineering practice; can be used for group 2 fluids; group 1 fluids on request			
Mechanical data				
Weight [g]	59			
Housing	tubular			
Dimensions [mm]	Ø 19 / L = 66			
Material	stainless steel (630/1.4542/17-4 PH); stainless steel (1.4404 / 316L); PEI			
Materials (wetted parts)	stainless steel (630/1.4542/17-4 PH)			
Min. pressure cycles	60 million; (at 1.2 times nominal pressure)			
Tightening torque [Nm]	25...35; (recommended tightening torque; Depends on lubrication, seal and pressure rating)			
Process connection	threaded connection G 1/4 external thread (DIN EN ISO 1179-2)			
Process connection sealing	FKM (DIN EN ISO 1179-2)			
Restrictor element integrated	no (can be retrofitted)			
Remarks				
Remarks	BFSL = Best Fit Straight Line LS = limit value setting			

PT5404



Pressure transmitter

PT-010-SEG14-A-ZVG/US/ IW

Pack quantity

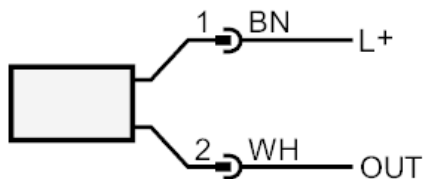
1 pcs.

Electrical connection

Connector: 1 x M12; coding: A



Connection



OUT

analog output

The following pin connection is available at article number PT53xx Pin 1: L+, Pin 3: OUT

Colors to DIN EN 60947-5-2

Core colors :

BN

brown

WH

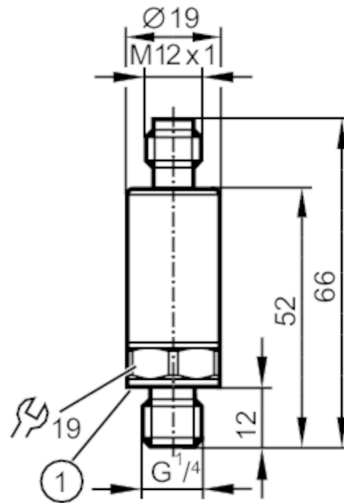
white

PT5412



Pressure transmitter

PT-160-SEG14-A-ZVG/US/ IW



1 sealing



Product characteristics

Number of inputs and outputs	Number of analog outputs: 1		
Measuring range	0...160 bar	0...2320 psi	0...16 MPa
Process connection	threaded connection G 1/4 external thread (DIN EN ISO 1179-2)		

Application

Application	for industrial applications		
Media	liquids and gases		
Medium temperature [°C]	-40...90		
Min. burst pressure	1100 bar	15950 psi	110 MPa
Pressure rating	400 bar	5800 psi	40 MPa
Note on pressure rating	static		
Vacuum resistance	-1000 mbar	-0.1 MPa	
Type of pressure	relative pressure		

Electrical data

Operating voltage [V]	8.5...36 DC		
Min. insulation resistance [MΩ]	100; (500 V DC)		
Protection class	III		
Reverse polarity protection	yes		
Power-on delay time [s]	< 0.1		

Inputs / outputs

Number of inputs and outputs	Number of analog outputs: 1		
------------------------------	-----------------------------	--	--

Outputs

Total number of outputs	1		
Output signal	analog signal		
Number of analog outputs	1		
Analog current output [mA]	4...20		
Max. load [Ω]	(U _b – 8,5 V) / 21,5 mA; @8,5V= 0 Ω; @12V max. 160 Ω; @24V max. 720 Ω		
Short-circuit proof	yes		

PT5412



Pressure transmitter

PT-160-SEG14-A-ZVG/US/ IW

Overload protection	yes		
Measuring/setting range			
Measuring range	0...160 bar	0...2320 psi	0...16 MPa
Accuracy / deviations			
Repeatability [% of the span]	< ± 0,05; (with temperature fluctuations < 10 K)		
Characteristics deviation [% of the span]	< ± 0,5; (incl. drift when overtightened, zero point and span error, non-linearity, hysteresis)		
Linearity deviation [% of the span]	< ± 0,1 (BFSL) / < ± 0,2 (LS)		
Hysteresis deviation [% of the span]	< ± 0,2		
Long-term stability [% of the span]	< ± 0,1; (per 6 months)		
Temperature coefficient zero point and span [% of the span / 10 K]	< 0,1 (-25...90 °C) / < 0,2 (-40...-25 °C)		
Reaction times			
Step response time analog output [ms]	1		
Operating conditions			
Ambient temperature [°C]	-40...90		
Storage temperature [°C]	-40...100		
Protection	IP 67; IP 69K		
Tests / approvals			
EMC	DIN EN 61000-6-2		
	DIN EN 61000-6-3		
Shock resistance	DIN EN 60068-2-27	50 g (11 ms)	
Vibration resistance	DIN EN 60068-2-6	20 g (10...2000 Hz)	
MTTF [years]	787		
UL approval	UL approval number	J026	
	File number UL	E174189	
Pressure equipment directive	sound engineering practice; can be used for group 2 fluids; group 1 fluids on request		
Mechanical data			
Weight [g]	60		
Housing	tubular		
Dimensions [mm]	Ø 19 / L = 66		
Material	stainless steel (630/1.4542/17-4 PH); stainless steel (1.4404 / 316L); PEI		
Materials (wetted parts)	stainless steel (630/1.4542/17-4 PH)		
Min. pressure cycles	60 million; (at 1.2 times nominal pressure)		
Tightening torque [Nm]	25...35; (recommended tightening torque; Depends on lubrication, seal and pressure rating)		
Process connection	threaded connection G 1/4 external thread (DIN EN ISO 1179-2)		
Process connection sealing	FKM (DIN EN ISO 1179-2)		
Restrictor element integrated	no (can be retrofitted)		

PT5412



Pressure transmitter

PT-160-SEG14-A-ZVG/US/ IW

Remarks

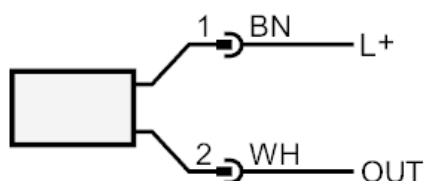
Remarks	BFSL = Best Fit Straight Line LS = limit value setting
Pack quantity	1 pcs.

Electrical connection

Connector: 1 x M12; coding: A



Connection



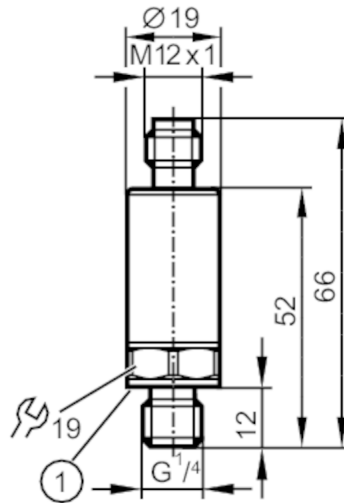
OUT analog output
The following pin connection is available at article number PT53xx Pin 1: L+, Pin 3: OUT
Colors to DIN EN 60947-5-2
Core colors :
BN brown
WH white

PT5414



Pressure transmitter

PT-016-SEG14-A-ZVG/US/ IW



1 sealing



Product characteristics

Number of inputs and outputs	Number of analog outputs: 1		
Measuring range	0...16 bar	0...232 psi	0...1.6 MPa
Process connection	threaded connection G 1/4 external thread (DIN EN ISO 1179-2)		

Application

Application	for industrial applications		
Media	liquids and gases		
Medium temperature [°C]	-40...90		
Min. burst pressure	450 bar	6525 psi	45 MPa
Pressure rating	40 bar	580 psi	4 MPa
Note on pressure rating	static		
Vacuum resistance	-1000 mbar	-0.1 MPa	
Type of pressure	relative pressure		

Electrical data

Operating voltage [V]	8.5...36 DC		
Min. insulation resistance [MΩ]	100; (500 V DC)		
Protection class	III		
Reverse polarity protection	yes		
Power-on delay time [s]	< 0.1		

Inputs / outputs

Number of inputs and outputs	Number of analog outputs: 1		
------------------------------	-----------------------------	--	--

Outputs

Total number of outputs	1		
Output signal	analog signal		
Number of analog outputs	1		
Analog current output [mA]	4...20		
Max. load [Ω]	(U _b – 8,5 V) / 21,5 mA; @8,5V= 0 Ω; @12V max. 160 Ω; @24V max. 720 Ω		
Short-circuit proof	yes		

PT5414



Pressure transmitter

PT-016-SEG14-A-ZVG/US/ IW

Overload protection	yes
---------------------	-----

Measuring/setting range

Measuring range	0...16 bar	0...232 psi	0...1.6 MPa
-----------------	------------	-------------	-------------

Accuracy / deviations

Repeatability [% of the span]	< ± 0,05; (with temperature fluctuations < 10 K)
Characteristics deviation [% of the span]	< ± 0,5; (incl. drift when overtightened, zero point and span error, non-linearity, hysteresis)
Linearity deviation [% of the span]	< ± 0,1 (BFSL) / < ± 0,2 (LS)
Hysteresis deviation [% of the span]	< ± 0,2
Long-term stability [% of the span]	< ± 0,1; (per 6 months)
Temperature coefficient zero point and span [% of the span / 10 K]	< 0,1 (-25...90 °C) / < 0,2 (-40...-25 °C)

Reaction times

Step response time analog output [ms]	1
---------------------------------------	---

Operating conditions

Ambient temperature [°C]	-40...90
Storage temperature [°C]	-40...100
Protection	IP 67; IP 69K

Tests / approvals

EMC	DIN EN 61000-6-2	
	DIN EN 61000-6-3	
Shock resistance	DIN EN 60068-2-27	50 g (11 ms)
Vibration resistance	DIN EN 60068-2-6	20 g (10...2000 Hz)
MTTF [years]		784
UL approval	UL approval number	J027
Pressure equipment directive	sound engineering practice; can be used for group 2 fluids; group 1 fluids on request	

Mechanical data

Weight [g]	59
Housing	tubular
Dimensions [mm]	∅ 19 / L = 66
Material	stainless steel (630/1.4542/17-4 PH); stainless steel (1.4404 / 316L); PEI
Materials (wetted parts)	stainless steel (630/1.4542/17-4 PH)
Min. pressure cycles	60 million; (at 1.2 times nominal pressure)
Tightening torque [Nm]	25...35; (recommended tightening torque; Depends on lubrication, seal and pressure rating)
Process connection	threaded connection G 1/4 external thread (DIN EN ISO 1179-2)
Process connection sealing	FKM (DIN EN ISO 1179-2)
Restrictor element integrated	no (can be retrofitted)

PT5414



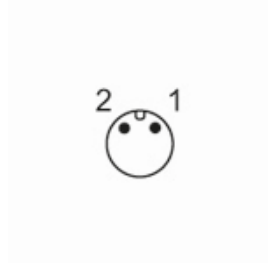
Pressure transmitter

PT-016-SEG14-A-ZVG/US/ IW

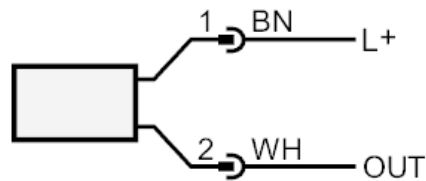
Remarks	
Remarks	BFSL = Best Fit Straight Line LS = limit value setting
Pack quantity	1 pcs.

Electrical connection

Connector: 1 x M12; coding: A



Connection



OUT analog output
The following pin connection is available at article number PT53xx Pin 1: L+, Pin 3: OUT
Colors to DIN EN 60947-5-2
Core colors :

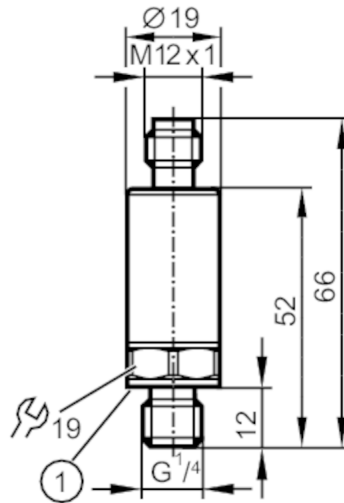
BN brown
WH white

PT5415



Pressure transmitter

PT-006-SEG14-A-ZVG/US/ IW



1 sealing



Product characteristics

Number of inputs and outputs	Number of analog outputs: 1			
Measuring range	0...6 bar	0...87 psi	0...600 kPa	0...0.6 MPa
Process connection	threaded connection G 1/4 external thread (DIN EN ISO 1179-2)			

Application

Application	for industrial applications		
Media	liquids and gases		
Medium temperature [°C]	-40...90		
Min. burst pressure	200 bar	2900 psi	20 MPa
Pressure rating	15 bar	215 psi	1.5 MPa
Note on pressure rating	static		
Vacuum resistance	-1000 mbar	-0.1 MPa	
Type of pressure	relative pressure		

Electrical data

Operating voltage [V]	8.5...36 DC
Min. insulation resistance [MΩ]	100; (500 V DC)
Protection class	III
Reverse polarity protection	yes
Power-on delay time [s]	< 0.1

Inputs / outputs

Number of inputs and outputs	Number of analog outputs: 1
------------------------------	-----------------------------

Outputs

Total number of outputs	1
Output signal	analog signal
Number of analog outputs	1
Analog current output [mA]	4...20
Max. load [Ω]	($U_b - 8,5 V$) / 21,5 mA; @8,5V= 0 Ω; @12V max. 160 Ω; @24V max. 720 Ω
Short-circuit proof	yes

PT5415



Pressure transmitter

PT-006-SEG14-A-ZVG/US/ IW

Overload protection	yes
---------------------	-----

Measuring/setting range

Measuring range	0...6 bar	0...87 psi	0...600 kPa	0...0.6 MPa
-----------------	-----------	------------	-------------	-------------

Accuracy / deviations

Repeatability [% of the span]	< ± 0,05; (with temperature fluctuations < 10 K)
Characteristics deviation [% of the span]	< ± 0,5; (incl. drift when overtightened, zero point and span error, non-linearity, hysteresis)
Linearity deviation [% of the span]	< ± 0,1 (BFSL) / < ± 0,2 (LS)
Hysteresis deviation [% of the span]	< ± 0,2
Long-term stability [% of the span]	< ± 0,1; (per 6 months)
Temperature coefficient zero point and span [% of the span / 10 K]	< 0,1 (-25...90 °C) / < 0,2 (-40...-25 °C)

Reaction times

Step response time analog output [ms]	1
---------------------------------------	---

Operating conditions

Ambient temperature [°C]	-40...90
Storage temperature [°C]	-40...100
Protection	IP 67; IP 69K

Tests / approvals

EMC	DIN EN 61000-6-2	
	DIN EN 61000-6-3	
Shock resistance	DIN EN 60068-2-27	50 g (11 ms)
Vibration resistance	DIN EN 60068-2-6	20 g (10...2000 Hz)
MTTF [years]		784
UL approval	UL approval number	J027
Pressure equipment directive	sound engineering practice; can be used for group 2 fluids; group 1 fluids on request	

Mechanical data

Weight [g]	59
Housing	tubular
Dimensions [mm]	∅ 19 / L = 66
Material	stainless steel (630/1.4542/17-4 PH); stainless steel (1.4404 / 316L); PEI
Materials (wetted parts)	stainless steel (630/1.4542/17-4 PH)
Min. pressure cycles	60 million; (at 1.2 times nominal pressure)
Tightening torque [Nm]	25...35; (recommended tightening torque; Depends on lubrication, seal and pressure rating)
Process connection	threaded connection G 1/4 external thread (DIN EN ISO 1179-2)
Process connection sealing	FKM (DIN EN ISO 1179-2)
Restrictor element integrated	no (can be retrofitted)

PT5415



Pressure transmitter

PT-006-SEG14-A-ZVG/US/ IW

Remarks

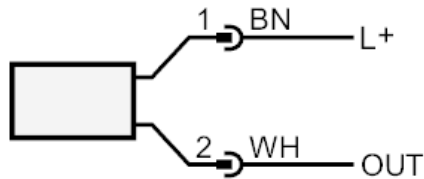
Remarks	BFSL = Best Fit Straight Line LS = limit value setting
Pack quantity	1 pcs.

Electrical connection

Connector: 1 x M12; coding: A



Connection



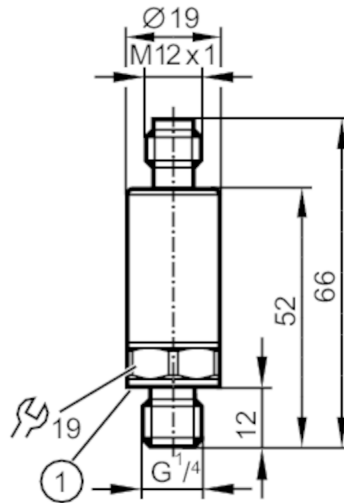
OUT	analog output The following pin connection is available at article number PT53xx Pin 1: L+, Pin 3: OUT Colors to DIN EN 60947-5-2 Core colors :
BN	brown
WH	white

PT5423



Pressure transmitter

PT-060-SEG14-A-ZVG/US/ IW



1 sealing



Product characteristics

Number of inputs and outputs	Number of analog outputs: 1		
Measuring range	0...60 bar	0...870 psi	0...6 MPa
Process connection	threaded connection G 1/4 external thread (DIN EN ISO 1179-2)		

Application

Application	for industrial applications		
Media	liquids and gases		
Medium temperature [°C]	-40...90		
Min. burst pressure	900 bar	13050 psi	90 MPa
Pressure rating	150 bar	2175 psi	15 MPa
Note on pressure rating	static		
Vacuum resistance	-1000 mbar	-0.1 MPa	
Type of pressure	relative pressure		

Electrical data

Operating voltage [V]	8.5...36 DC		
Min. insulation resistance [MΩ]	100; (500 V DC)		
Protection class	III		
Reverse polarity protection	yes		
Power-on delay time [s]	< 0.1		

Inputs / outputs

Number of inputs and outputs	Number of analog outputs: 1		
------------------------------	-----------------------------	--	--

Outputs

Total number of outputs	1		
Output signal	analog signal		
Number of analog outputs	1		
Analog current output [mA]	4...20		
Max. load [Ω]	(U _b – 8,5 V) / 21,5 mA; @8,5V= 0 Ω; @12V max. 160 Ω; @24V max. 720 Ω		
Short-circuit proof	yes		

PT5423



Pressure transmitter

PT-060-SEG14-A-ZVG/US/ IW

Overload protection	yes
---------------------	-----

Measuring/setting range

Measuring range	0...60 bar	0...870 psi	0...6 MPa
-----------------	------------	-------------	-----------

Accuracy / deviations

Repeatability [% of the span]	< ± 0,05; (with temperature fluctuations < 10 K)
Characteristics deviation [% of the span]	< ± 0,5; (incl. drift when overtightened, zero point and span error, non-linearity, hysteresis)
Linearity deviation [% of the span]	< ± 0,1 (BFSL) / < ± 0,2 (LS)
Hysteresis deviation [% of the span]	< ± 0,2
Long-term stability [% of the span]	< ± 0,1; (per 6 months)
Temperature coefficient zero point and span [% of the span / 10 K]	< 0,1 (-25...90 °C) / < 0,2 (-40...-25 °C)

Reaction times

Step response time analog output [ms]	1
---------------------------------------	---

Operating conditions

Ambient temperature [°C]	-40...90
Storage temperature [°C]	-40...100
Protection	IP 67; IP 69K

Tests / approvals

EMC	DIN EN 61000-6-2	
	DIN EN 61000-6-3	
Shock resistance	DIN EN 60068-2-27	50 g (11 ms)
Vibration resistance	DIN EN 60068-2-6	20 g (10...2000 Hz)
MTTF [years]		784
UL approval	UL approval number	J027
Pressure equipment directive	sound engineering practice; can be used for group 2 fluids; group 1 fluids on request	

Mechanical data

Weight [g]	59
Housing	tubular
Dimensions [mm]	∅ 19 / L = 66
Material	stainless steel (630/1.4542/17-4 PH); stainless steel (1.4404 / 316L); PEI
Materials (wetted parts)	stainless steel (630/1.4542/17-4 PH)
Min. pressure cycles	60 million; (at 1.2 times nominal pressure)
Tightening torque [Nm]	25...35; (recommended tightening torque; Depends on lubrication, seal and pressure rating)
Process connection	threaded connection G 1/4 external thread (DIN EN ISO 1179-2)
Process connection sealing	FKM (DIN EN ISO 1179-2)
Restrictor element integrated	no (can be retrofitted)

PT5423



Pressure transmitter

PT-060-SEG14-A-ZVG/US/ IW

Remarks

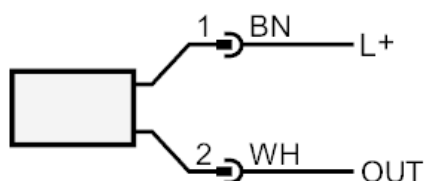
Remarks	BFSL = Best Fit Straight Line LS = limit value setting
Pack quantity	1 pcs.

Electrical connection

Connector: 1 x M12; coding: A



Connection



OUT analog output
The following pin connection is available at article number PT53xx Pin 1: L+, Pin 3: OUT
Colors to DIN EN 60947-5-2
Core colors :

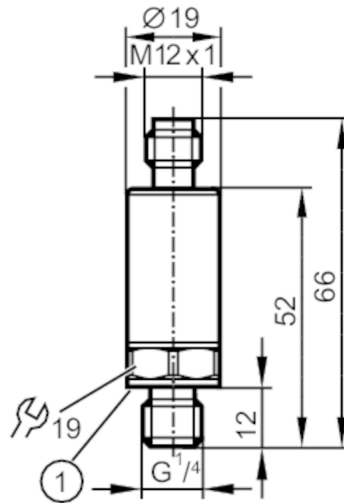
BN brown
WH white

PT5443



Pressure transmitter

PT-040-SEG14-A-ZVG/US/ IW



1 sealing



Product characteristics

Number of inputs and outputs	Number of analog outputs: 1		
Measuring range	0...40 bar	0...580 psi	0...4 MPa
Process connection	threaded connection G 1/4 external thread (DIN EN ISO 1179-2)		

Application

Application	for industrial applications		
Media	liquids and gases		
Medium temperature [°C]	-40...90		
Min. burst pressure	800 bar	11600 psi	80 MPa
Pressure rating	100 bar	1450 psi	10 MPa
Note on pressure rating	static		
Vacuum resistance	-1000 mbar	-0.1 MPa	
Type of pressure	relative pressure		

Electrical data

Operating voltage [V]	8.5...36 DC		
Min. insulation resistance [MΩ]	100; (500 V DC)		
Protection class	III		
Reverse polarity protection	yes		
Power-on delay time [s]	< 0.1		

Inputs / outputs

Number of inputs and outputs	Number of analog outputs: 1		
------------------------------	-----------------------------	--	--

Outputs

Total number of outputs	1		
Output signal	analog signal		
Number of analog outputs	1		
Analog current output [mA]	4...20		
Max. load [Ω]	(U _b – 8,5 V) / 21,5 mA; @8,5V= 0 Ω; @12V max. 160 Ω; @24V max. 720 Ω		
Short-circuit proof	yes		

PT5443



Pressure transmitter

PT-040-SEG14-A-ZVG/US/ IW

Overload protection	yes
---------------------	-----

Measuring/setting range

Measuring range	0...40 bar	0...580 psi	0...4 MPa
-----------------	------------	-------------	-----------

Accuracy / deviations

Repeatability [% of the span]	< ± 0,05; (with temperature fluctuations < 10 K)
Characteristics deviation [% of the span]	< ± 0,5; (incl. drift when overtightened, zero point and span error, non-linearity, hysteresis)
Linearity deviation [% of the span]	< ± 0,1 (BFSL) / < ± 0,2 (LS)
Hysteresis deviation [% of the span]	< ± 0,2
Long-term stability [% of the span]	< ± 0,1; (per 6 months)
Temperature coefficient zero point and span [% of the span / 10 K]	< 0,1 (-25...90 °C) / < 0,2 (-40...-25 °C)

Reaction times

Step response time analog output [ms]	1
---------------------------------------	---

Operating conditions

Ambient temperature [°C]	-40...90
Storage temperature [°C]	-40...100
Protection	IP 67; IP 69K

Tests / approvals

EMC	DIN EN 61000-6-2	
	DIN EN 61000-6-3	
Shock resistance	DIN EN 60068-2-27	50 g (11 ms)
Vibration resistance	DIN EN 60068-2-6	20 g (10...2000 Hz)
MTTF [years]		784
UL approval	UL approval number	J027
Pressure equipment directive	sound engineering practice; can be used for group 2 fluids; group 1 fluids on request	

Mechanical data

Weight [g]	59
Housing	tubular
Dimensions [mm]	Ø 19 / L = 66
Material	stainless steel (630/1.4542/17-4 PH); stainless steel (1.4404 / 316L); PEI
Materials (wetted parts)	stainless steel (630/1.4542/17-4 PH)
Min. pressure cycles	60 million; (at 1.2 times nominal pressure)
Tightening torque [Nm]	25...35; (recommended tightening torque; Depends on lubrication, seal and pressure rating)
Process connection	threaded connection G 1/4 external thread (DIN EN ISO 1179-2)
Process connection sealing	FKM (DIN EN ISO 1179-2)
Restrictor element integrated	no (can be retrofitted)

PT5443



Pressure transmitter

PT-040-SEG14-A-ZVG/US/ IW

Remarks

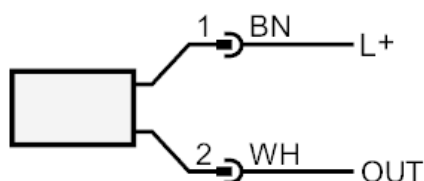
Remarks	BFSL = Best Fit Straight Line LS = limit value setting
Pack quantity	1 pcs.

Electrical connection

Connector: 1 x M12; coding: A



Connection



OUT analog output
The following pin connection is available at article number PT53xx Pin 1: L+, Pin 3: OUT
Colors to DIN EN 60947-5-2
Core colors :

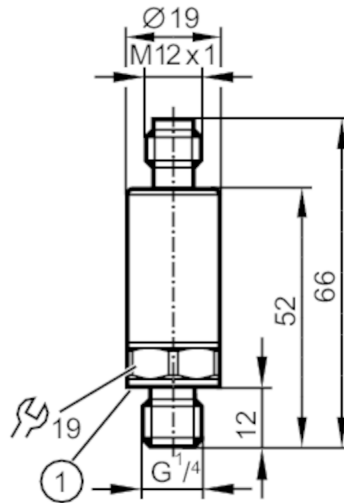
BN brown
WH white

PT5460



Pressure transmitter

PT-600-SEG14-A-ZVG/US/ IW



1 sealing



Product characteristics

Number of inputs and outputs	Number of analog outputs: 1		
Measuring range	0...600 bar	0...8700 psi	0...60 MPa
Process connection	threaded connection G 1/4 external thread (DIN EN ISO 1179-2)		

Application

Application	for industrial applications		
Media	liquids and gases		
Medium temperature [°C]	-40...90		
Min. burst pressure	2500 bar	36255 psi	250 MPa
Pressure rating	1500 bar	21755 psi	150 MPa
Note on pressure rating	static		
Vacuum resistance	-1000 mbar	-0.1 MPa	
Type of pressure	relative pressure		

Electrical data

Operating voltage [V]	8.5...36 DC		
Min. insulation resistance [MΩ]	100; (500 V DC)		
Protection class	III		
Reverse polarity protection	yes		
Power-on delay time [s]	< 0.1		

Inputs / outputs

Number of inputs and outputs	Number of analog outputs: 1		
------------------------------	-----------------------------	--	--

Outputs

Total number of outputs	1		
Output signal	analog signal		
Number of analog outputs	1		
Analog current output [mA]	4...20		
Max. load [Ω]	(U _b – 8,5 V) / 21,5 mA; @8,5V= 0 Ω; @12V max. 160 Ω; @24V max. 720 Ω		
Short-circuit proof	yes		

PT5460



Pressure transmitter

PT-600-SEG14-A-ZVG/US/ IW

Overload protection	yes		
Measuring/setting range			
Measuring range	0...600 bar	0...8700 psi	0...60 MPa
Accuracy / deviations			
Repeatability [% of the span]	< ± 0,05; (with temperature fluctuations < 10 K)		
Characteristics deviation [% of the span]	< ± 0,5; (incl. drift when overtightened, zero point and span error, non-linearity, hysteresis)		
Linearity deviation [% of the span]	< ± 0,1 (BFSL) / < ± 0,2 (LS)		
Hysteresis deviation [% of the span]	< ± 0,2		
Long-term stability [% of the span]	< ± 0,1; (per 6 months)		
Temperature coefficient zero point and span [% of the span / 10 K]	< 0,1 (-25...90 °C) / < 0,2 (-40...-25 °C)		
Reaction times			
Step response time analog output [ms]	1		
Operating conditions			
Ambient temperature [°C]	-40...90		
Storage temperature [°C]	-40...100		
Protection	IP 67; IP 69K		
Tests / approvals			
EMC	DIN EN 61000-6-2		
	DIN EN 61000-6-3		
Shock resistance	DIN EN 60068-2-27	50 g (11 ms)	
Vibration resistance	DIN EN 60068-2-6	20 g (10...2000 Hz)	
MTTF [years]	784		
UL approval	UL approval number	J026	
	File number UL	E174189	
Pressure equipment directive	Modul A; can be used for group 2 fluids; group 1 fluids on request		
Mechanical data			
Weight [g]	59.5		
Housing	tubular		
Dimensions [mm]	Ø 19 / L = 66		
Material	stainless steel (630/1.4542/17-4 PH); stainless steel (1.4404 / 316L); PEI		
Materials (wetted parts)	stainless steel (630/1.4542/17-4 PH)		
Min. pressure cycles	60 million; (at 1.2 times nominal pressure)		
Tightening torque [Nm]	30...50; (recommended tightening torque; Depends on lubrication, seal and pressure rating)		
Process connection	threaded connection G 1/4 external thread (DIN EN ISO 1179-2)		
Process connection sealing	FKM (DIN EN ISO 1179-2)		
Restrictor element integrated	no (can be retrofitted)		

PT5460



Pressure transmitter

PT-600-SEG14-A-ZVG/US/ IW

Remarks

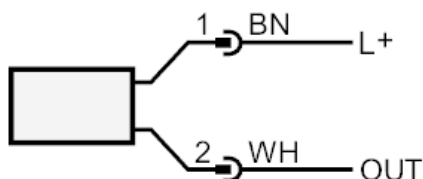
Remarks	BFSL = Best Fit Straight Line LS = limit value setting
Pack quantity	1 pcs.

Electrical connection

Connector: 1 x M12; coding: A



Connection



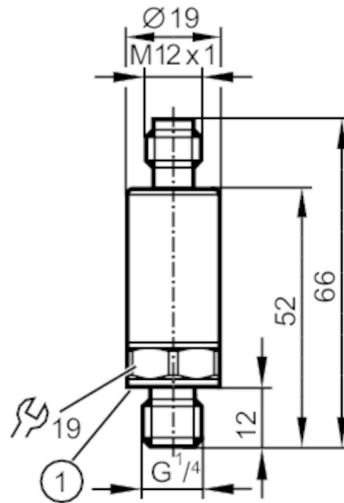
OUT	analog output The following pin connection is available at article number PT53xx Pin 1: L+, Pin 3: OUT Colors to DIN EN 60947-5-2 Core colors :
BN	brown
WH	white

PT5494



Pressure transmitter

PT-010-SEG14-A-ZVG/US/ IW



1 sealing



Product characteristics

Number of inputs and outputs	Number of analog outputs: 1			
Measuring range	-1...10 bar	-14.5...145 psi	-100...1000 kPa	-0.1...1 MPa
Process connection	threaded connection G 1/4 external thread (DIN EN ISO 1179-2)			

Application

Application	for industrial applications		
Media	liquids and gases		
Medium temperature [°C]	-40...90		
Min. burst pressure	300 bar	4350 psi	30 MPa
Pressure rating	25 bar	360 psi	2.5 MPa
Note on pressure rating	static		
Vacuum resistance	-1000 mbar	-0.1 MPa	
Type of pressure	relative pressure; vacuum		

Electrical data

Operating voltage [V]	8.5...36 DC		
Min. insulation resistance [MΩ]	100; (500 V DC)		
Protection class	III		
Reverse polarity protection	yes		
Power-on delay time [s]	< 0.1		

Inputs / outputs

Number of inputs and outputs	Number of analog outputs: 1
------------------------------	-----------------------------

Outputs

Total number of outputs	1
Output signal	analog signal
Number of analog outputs	1
Analog current output [mA]	4...20
Max. load [Ω]	($U_b - 8,5 V$) / 21,5 mA; @8,5V= 0 Ω; @12V max. 160 Ω; @24V max. 720 Ω
Short-circuit proof	yes

PT5494



Pressure transmitter

PT-010-SEG14-A-ZVG/US/ IW

Overload protection	yes			
Measuring/setting range				
Measuring range	-1...10 bar	-14.5...145 psi	-100...1000 kPa	-0.1...1 MPa
Accuracy / deviations				
Repeatability [% of the span]	< ± 0,05; (with temperature fluctuations < 10 K)			
Characteristics deviation [% of the span]	< ± 0,5; (incl. drift when overtightened, zero point and span error, non-linearity, hysteresis)			
Linearity deviation [% of the span]	< ± 0,1 (BFSL) / < ± 0,2 (LS)			
Hysteresis deviation [% of the span]	< ± 0,2			
Long-term stability [% of the span]	< ± 0,1; (per 6 months)			
Temperature coefficient zero point and span [% of the span / 10 K]	< 0,1 (-25...90 °C) / < 0,2 (-40...-25 °C)			
Reaction times				
Step response time analog output [ms]	1			
Operating conditions				
Ambient temperature [°C]	-40...90			
Storage temperature [°C]	-40...100			
Protection	IP 67; IP 69K			
Tests / approvals				
EMC	DIN EN 61000-6-2			
	DIN EN 61000-6-3			
Shock resistance	DIN EN 60068-2-27		50 g (11 ms)	
Vibration resistance	DIN EN 60068-2-6		20 g (10...2000 Hz)	
MTTF [years]	784			
UL approval	UL approval number		J027	
Pressure equipment directive	sound engineering practice; can be used for group 2 fluids; group 1 fluids on request			
Mechanical data				
Weight [g]	59			
Housing	tubular			
Dimensions [mm]	Ø 19 / L = 66			
Material	stainless steel (630/1.4542/17-4 PH); stainless steel (1.4404 / 316L); PEI			
Materials (wetted parts)	stainless steel (630/1.4542/17-4 PH)			
Min. pressure cycles	60 million; (at 1.2 times nominal pressure)			
Tightening torque [Nm]	25...35; (recommended tightening torque; Depends on lubrication, seal and pressure rating)			
Process connection	threaded connection G 1/4 external thread (DIN EN ISO 1179-2)			
Process connection sealing	FKM (DIN EN ISO 1179-2)			
Restrictor element integrated	no (can be retrofitted)			

PT5494



Pressure transmitter

PT-010-SEG14-A-ZVG/US/ IW

Remarks

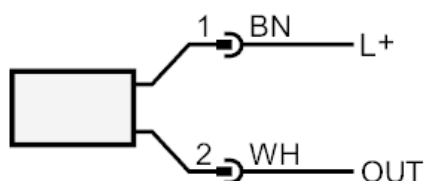
Remarks	BFSL = Best Fit Straight Line LS = limit value setting
Pack quantity	1 pcs.

Electrical connection

Connector: 1 x M12; coding: A



Connection



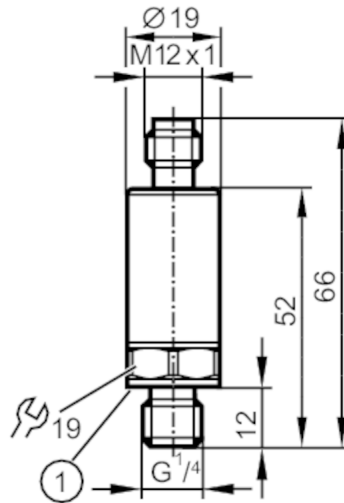
OUT analog output
 Colors to DIN EN 60947-5-2
 Core colors :
BN brown
WH white

PT5500



Pressure transmitter

PT-400-SEG14-A-ZVG/US



1 sealing



Product characteristics

Number of inputs and outputs	Number of analog outputs: 1		
Measuring range	0...400 bar	0...5800 psi	0...40 MPa
Process connection	threaded connection G 1/4 external thread (DIN EN ISO 1179-2)		

Application

Application	for mobile applications		
Media	liquids and gases		
Medium temperature [°C]	-40...125		
Min. burst pressure	1700 bar	24655 psi	170 MPa
Pressure rating	1000 bar	14500 psi	100 MPa
Note on pressure rating	static		
Vacuum resistance	-1000 mbar	-0.1 MPa	
Type of pressure	relative pressure		

Electrical data

Operating voltage [V]	8...32 DC		
Min. insulation resistance [MΩ]	100; (500 V DC)		
Protection class	III		
Reverse polarity protection	yes		
Power-on delay time [s]	< 0.1		

Inputs / outputs

Number of inputs and outputs	Number of analog outputs: 1		
------------------------------	-----------------------------	--	--

Outputs

Total number of outputs	1		
Output signal	analog signal		
Number of analog outputs	1		
Analog current output [mA]	4...20		
Max. load [Ω]	(U _b - 8 V) / 21,5 mA; @8V = 0 Ω; @12V max. 200 Ω; @24V max. 750 Ω		
Short-circuit proof	yes		

PT5500



Pressure transmitter

PT-400-SEG14-A-ZVG/US

Overload protection	yes		
Measuring/setting range			
Measuring range	0...400 bar	0...5800 psi	0...40 MPa
Accuracy / deviations			
Repeatability [% of the span]	< ± 0,05; (with temperature fluctuations < 10 K)		
Characteristics deviation [% of the span]	< ± 0,8; (incl. drift when overtightened, zero point and span error, non-linearity, hysteresis)		
Linearity deviation [% of the span]	< ± 0,25 (BFSL) / < ± 0,5 (LS)		
Hysteresis deviation [% of the span]	< ± 0,2		
Long-term stability [% of the span]	< ± 0,1; (per 6 months)		
Temperature coefficient zero point [% of the span / 10 K]	< ± 0,1 (0...80 °C); < ± 0,2 (-40...0 °C / 80...125 °C)		
Temperature coefficient span [% of the span / 10 K]	< ± 0,1 (0...80 °C); < ± 0,2 (-40...0 °C / 80...125 °C)		
Reaction times			
Step response time analog output [ms]	2		
Operating conditions			
Ambient temperature [°C]	-40...100		
Storage temperature [°C]	-40...100		
Protection	IP 67; IP 69K		
Tests / approvals			
EMC	compliant with UN ECE R10, rev. 5	(E1 compliant)	
	ISO 11452-2	100 V/m	
	DIN EN 61326-1		
Shock resistance	DIN EN 60068-2-27	500 g (1 ms)	
Vibration resistance	DIN EN 60068-2-6	20 g (10...2000 Hz)	
MTTF [years]	704		
UL approval	UL approval number	J073	
	File number UL	E174189	
Pressure equipment directive	sound engineering practice; can be used for group 2 fluids; group 1 fluids on request		
Mechanical data			
Weight [g]	59		
Housing	tubular		
Dimensions [mm]	Ø 19 / L = 66		
Material	stainless steel (630/1.4542/17-4 PH); stainless steel (1.4404 / 316L); PEI		
Materials (wetted parts)	stainless steel (630/1.4542/17-4 PH)		
Min. pressure cycles	60 million; (at 1.2 times nominal pressure)		
Tightening torque [Nm]	25...35; (recommended tightening torque; Depends on lubrication, seal and pressure rating)		
Process connection	threaded connection G 1/4 external thread (DIN EN ISO 1179-2)		
Process connection sealing	HNBR (DIN EN ISO 1179-2)		

PT5500



Pressure transmitter

PT-400-SEG14-A-ZVG/US

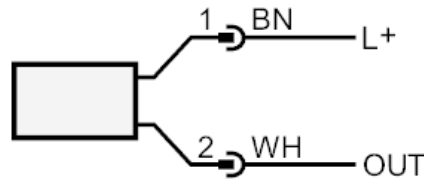
Restrictor element integrated	yes
Remarks	
Remarks	BFSL = Best Fit Straight Line LS = limit value setting
Pack quantity	1 pcs.

Electrical connection

Connector: 1 x M12; coding: A



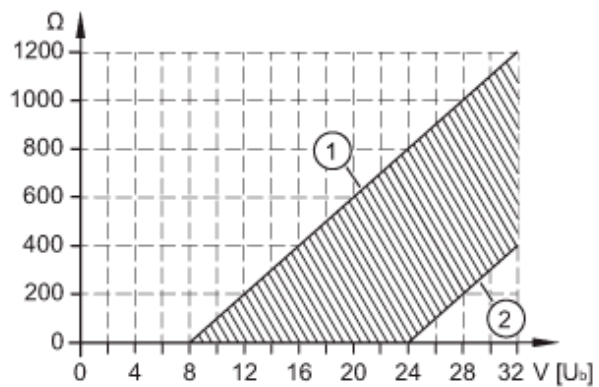
Connection



OUT analog output
 Colors to DIN EN 60947-5-2
 Core colors :
BN = brown
WH = white

Diagrams and graphs

Characteristic load curve current output



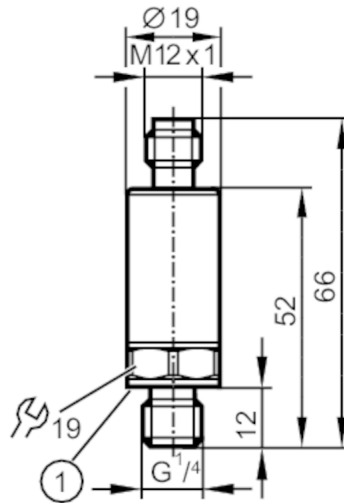
1: Max. load
2: Min. load

PT5501



Pressure transmitter

PT-250-SEG14-A-ZVG/US



1 sealing



Product characteristics

Number of inputs and outputs	Number of analog outputs: 1		
Measuring range	0...250 bar	0...3625 psi	0...25 MPa
Process connection	threaded connection G 1/4 external thread (DIN EN ISO 1179-2)		

Application

Application	for mobile applications		
Media	liquids and gases		
Medium temperature [°C]	-40...125		
Min. burst pressure	1200 bar	17400 psi	120 MPa
Pressure rating	625 bar	9060 psi	62.5 MPa
Note on pressure rating	static		
Vacuum resistance	-1000 mbar	-0.1 MPa	
Type of pressure	relative pressure		

Electrical data

Operating voltage [V]	8...32 DC		
Min. insulation resistance [MΩ]	100; (500 V DC)		
Protection class	III		
Reverse polarity protection	yes		
Power-on delay time [s]	< 0.1		

Inputs / outputs

Number of inputs and outputs	Number of analog outputs: 1		
------------------------------	-----------------------------	--	--

Outputs

Total number of outputs	1		
Output signal	analog signal		
Number of analog outputs	1		
Analog current output [mA]	4...20		
Max. load [Ω]	(U _b - 8 V) / 21,5 mA; @8V = 0 Ω; @12V max. 200 Ω; @24V max. 750 Ω		
Short-circuit proof	yes		

PT5501



Pressure transmitter

PT-250-SEG14-A-ZVG/US

Overload protection	yes		
Measuring/setting range			
Measuring range	0...250 bar	0...3625 psi	0...25 MPa
Accuracy / deviations			
Repeatability [% of the span]	< ± 0,05; (with temperature fluctuations < 10 K)		
Characteristics deviation [% of the span]	< ± 0,8; (incl. drift when overtightened, zero point and span error, non-linearity, hysteresis)		
Linearity deviation [% of the span]	< ± 0,25 (BFSL) / < ± 0,5 (LS)		
Hysteresis deviation [% of the span]	< ± 0,2		
Long-term stability [% of the span]	< ± 0,1; (per 6 months)		
Temperature coefficient zero point [% of the span / 10 K]	< ± 0,1 (0...80 °C); < ± 0,2 (-40...0 °C / 80...125 °C)		
Temperature coefficient span [% of the span / 10 K]	< ± 0,1 (0...80 °C); < ± 0,2 (-40...0 °C / 80...125 °C)		
Reaction times			
Step response time analog output [ms]	2		
Operating conditions			
Ambient temperature [°C]	-40...100		
Storage temperature [°C]	-40...100		
Protection	IP 67; IP 69K		
Tests / approvals			
EMC	compliant with UN ECE R10, rev. 5	(E1 compliant)	
	ISO 11452-2	100 V/m	
	DIN EN 61326-1		
Shock resistance	DIN EN 60068-2-27	500 g (1 ms)	
Vibration resistance	DIN EN 60068-2-6	20 g (10...2000 Hz)	
MTTF [years]	704		
UL approval	UL approval number	J072	
	File number UL	E174189	
Pressure equipment directive	sound engineering practice; can be used for group 2 fluids; group 1 fluids on request		
Mechanical data			
Weight [g]	59		
Housing	tubular		
Dimensions [mm]	Ø 19 / L = 66		
Material	stainless steel (630/1.4542/17-4 PH); stainless steel (1.4404 / 316L); PEI		
Materials (wetted parts)	stainless steel (630/1.4542/17-4 PH)		
Min. pressure cycles	60 million; (at 1.2 times nominal pressure)		
Tightening torque [Nm]	25...35; (recommended tightening torque; Depends on lubrication, seal and pressure rating)		
Process connection	threaded connection G 1/4 external thread (DIN EN ISO 1179-2)		
Process connection sealing	HNBR (DIN EN ISO 1179-2)		

PT5501



Pressure transmitter

PT-250-SEG14-A-ZVG/US

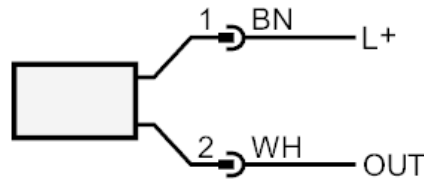
Restrictor element integrated	yes
Remarks	
Remarks	BFSL = Best Fit Straight Line LS = limit value setting
Pack quantity	1 pcs.

Electrical connection

Connector: 1 x M12; coding: A; Maximum cable length: 30 m



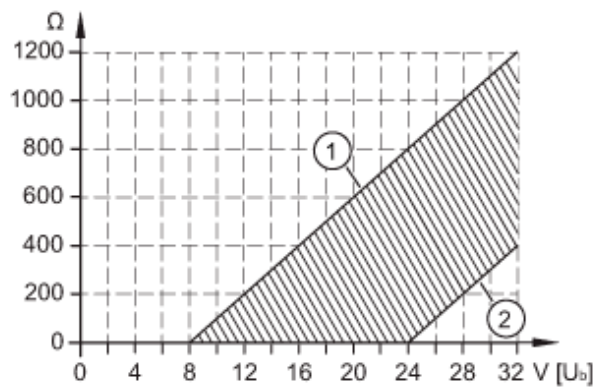
Connection



OUT analog output
 Colors to DIN EN 60947-5-2
 Core colors :
 BN = brown
 WH = white

Diagrams and graphs

Characteristic load curve current output



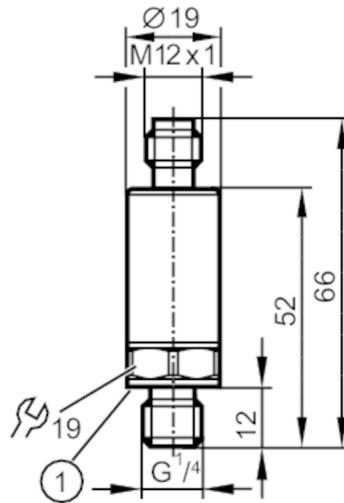
1: Max. load
 2: Min. load

PT5502



Pressure transmitter

PT-100-SEG14-A-ZVG/US



1 sealing



Product characteristics

Number of inputs and outputs	Number of analog outputs: 1		
Measuring range	0...100 bar	0...1450 psi	0...10 MPa
Process connection	threaded connection G 1/4 external thread (DIN EN ISO 1179-2)		

Application

Application	for mobile applications		
Media	liquids and gases		
Medium temperature [°C]	-40...125		
Min. burst pressure	1000 bar	14500 psi	100 MPa
Pressure rating	250 bar	3625 psi	25 MPa
Note on pressure rating	static		
Vacuum resistance	-1000 mbar	-0.1 MPa	
Type of pressure	relative pressure		

Electrical data

Operating voltage [V]	8...32 DC		
Min. insulation resistance [MΩ]	100; (500 V DC)		
Protection class	III		
Reverse polarity protection	yes		
Power-on delay time [s]	< 0.1		

Inputs / outputs

Number of inputs and outputs	Number of analog outputs: 1		
------------------------------	-----------------------------	--	--

Outputs

Total number of outputs	1		
Output signal	analog signal		
Number of analog outputs	1		
Analog current output [mA]	4...20		
Max. load [Ω]	(U _b - 8 V) / 21,5 mA; @8V = 0 Ω; @12V max. 200 Ω; @24V max. 750 Ω		
Short-circuit proof	yes		

PT5502



Pressure transmitter

PT-100-SEG14-A-ZVG/US

Overload protection	yes		
Measuring/setting range			
Measuring range	0...100 bar	0...1450 psi	0...10 MPa
Accuracy / deviations			
Repeatability [% of the span]	< ± 0,05; (with temperature fluctuations < 10 K)		
Characteristics deviation [% of the span]	< ± 0,8; (incl. drift when overtightened, zero point and span error, non-linearity, hysteresis)		
Linearity deviation [% of the span]	< ± 0,25 (BFSL) / < ± 0,5 (LS)		
Hysteresis deviation [% of the span]	< ± 0,2		
Long-term stability [% of the span]	< ± 0,1; (per 6 months)		
Temperature coefficient zero point [% of the span / 10 K]	< ± 0,1 (0...80 °C); < ± 0,2 (-40...0 °C / 80...125 °C)		
Temperature coefficient span [% of the span / 10 K]	< ± 0,1 (0...80 °C); < ± 0,2 (-40...0 °C / 80...125 °C)		
Reaction times			
Step response time analog output [ms]	2		
Operating conditions			
Ambient temperature [°C]	-40...100		
Storage temperature [°C]	-40...100		
Protection	IP 67; IP 69K		
Tests / approvals			
EMC	compliant with UN ECE R10, rev. 5	(E1 compliant)	
	ISO 11452-2	100 V/m	
	DIN EN 61326-1		
Shock resistance	DIN EN 60068-2-27	500 g (1 ms)	
Vibration resistance	DIN EN 60068-2-6	20 g (10...2000 Hz)	
MTTF [years]	711		
UL approval	UL approval number	J071	
	File number UL	E174189	
Pressure equipment directive	sound engineering practice; can be used for group 2 fluids; group 1 fluids on request		
Mechanical data			
Weight [g]	58.5		
Housing	tubular		
Dimensions [mm]	Ø 19 / L = 66		
Material	stainless steel (630/1.4542/17-4 PH); stainless steel (1.4404 / 316L); PEI		
Materials (wetted parts)	stainless steel (630/1.4542/17-4 PH)		
Min. pressure cycles	60 million; (at 1.2 times nominal pressure)		
Tightening torque [Nm]	25...35; (recommended tightening torque; Depends on lubrication, seal and pressure rating)		
Process connection	threaded connection G 1/4 external thread (DIN EN ISO 1179-2)		
Process connection sealing	HNBR (DIN EN ISO 1179-2)		

PT5502



Pressure transmitter

PT-100-SEG14-A-ZVG/US

Restrictor element integrated	yes
-------------------------------	-----

Remarks

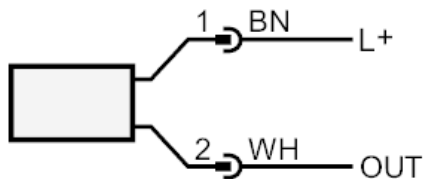
Remarks	BFSL = Best Fit Straight Line LS = limit value setting
Pack quantity	1 pcs.

Electrical connection

Connector: 1 x M12; coding: A



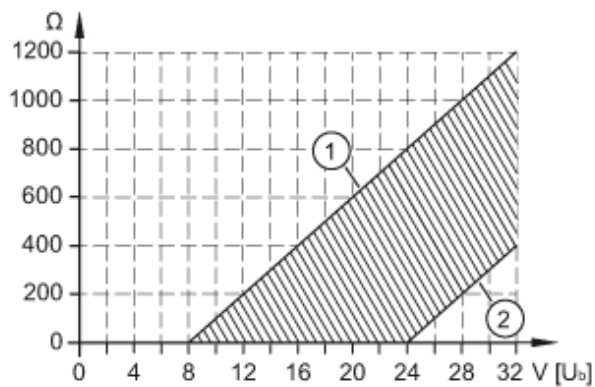
Connection



OUT analog output
 Colors to DIN EN 60947-5-2
 Core colors :
 BN = brown
 WH = white

Diagrams and graphs

Characteristic load curve current output



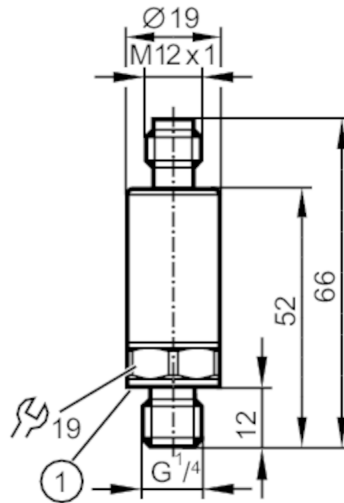
1: Max. load
 2: Min. load

PT5503



Pressure transmitter

PT-025-SEG14-A-ZVG/US



1 sealing



Product characteristics

Number of inputs and outputs	Number of analog outputs: 1		
Measuring range	0...25 bar	0...360 psi	0...2.5 MPa
Process connection	threaded connection G 1/4 external thread (DIN EN ISO 1179-2)		

Application

Application	for mobile applications		
Media	liquids and gases		
Medium temperature [°C]	-40...125		
Min. burst pressure	600 bar	8700 psi	60 MPa
Pressure rating	65 bar	940 psi	6.5 MPa
Note on pressure rating	static		
Vacuum resistance	-1000 mbar	-0.1 MPa	
Type of pressure	relative pressure		

Electrical data

Operating voltage [V]	8...32 DC		
Min. insulation resistance [MΩ]	100; (500 V DC)		
Protection class	III		
Reverse polarity protection	yes		
Power-on delay time [s]	< 0.1		

Inputs / outputs

Number of inputs and outputs	Number of analog outputs: 1		
------------------------------	-----------------------------	--	--

Outputs

Total number of outputs	1		
Output signal	analog signal		
Number of analog outputs	1		
Analog current output [mA]	4...20		
Max. load [Ω]	(U _b - 8 V) / 21,5 mA; @8V = 0 Ω; @12V max. 200 Ω; @24V max. 750 Ω		
Short-circuit proof	yes		

PT5503



Pressure transmitter

PT-025-SEG14-A-ZVG/US

Overload protection	yes		
Measuring/setting range			
Measuring range	0...25 bar	0...360 psi	0...2.5 MPa
Accuracy / deviations			
Repeatability [% of the span]	< ± 0,05; (with temperature fluctuations < 10 K)		
Characteristics deviation [% of the span]	< ± 0,8; (incl. drift when overtightened, zero point and span error, non-linearity, hysteresis)		
Linearity deviation [% of the span]	< ± 0,25 (BFSL) / < ± 0,5 (LS)		
Hysteresis deviation [% of the span]	< ± 0,2		
Long-term stability [% of the span]	< ± 0,1; (per 6 months)		
Temperature coefficient zero point [% of the span / 10 K]	< ± 0,1 (0...80 °C); < ± 0,2 (-40...0 °C / 80...125 °C)		
Temperature coefficient span [% of the span / 10 K]	< ± 0,1 (0...80 °C); < ± 0,3 (-40...0 °C); < ± 0,2 (80...125 °C)		
Reaction times			
Step response time analog output [ms]	2		
Operating conditions			
Ambient temperature [°C]	-40...100		
Storage temperature [°C]	-40...100		
Protection	IP 67; IP 69K		
Tests / approvals			
EMC	compliant with UN ECE R10, rev. 5	(E1 compliant)	
	ISO 11452-2	100 V/m	
	DIN EN 61326-1		
Shock resistance	DIN EN 60068-2-27	500 g (1 ms)	
Vibration resistance	DIN EN 60068-2-6	20 g (10...2000 Hz)	
MTTF [years]	704		
UL approval	UL approval number	J071	
	File number UL	E174189	
Pressure equipment directive	sound engineering practice; can be used for group 2 fluids; group 1 fluids on request		
Mechanical data			
Weight [g]	58.5		
Housing	tubular		
Dimensions [mm]	Ø 19 / L = 66		
Material	stainless steel (630/1.4542/17-4 PH); stainless steel (1.4404 / 316L); PEI		
Materials (wetted parts)	stainless steel (630/1.4542/17-4 PH)		
Min. pressure cycles	60 million; (at 1.2 times nominal pressure)		
Tightening torque [Nm]	25...35; (recommended tightening torque; Depends on lubrication, seal and pressure rating)		
Process connection	threaded connection G 1/4 external thread (DIN EN ISO 1179-2)		
Process connection sealing	HNBR (DIN EN ISO 1179-2)		

PT5503



Pressure transmitter

PT-025-SEG14-A-ZVG/US

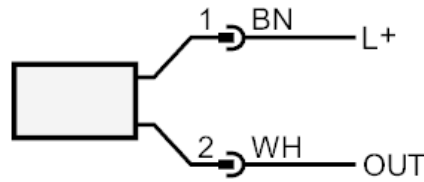
Restrictor element integrated	yes
Remarks	
Remarks	BFSL = Best Fit Straight Line LS = limit value setting
Pack quantity	1 pcs.

Electrical connection

Connector: 1 x M12; coding: A



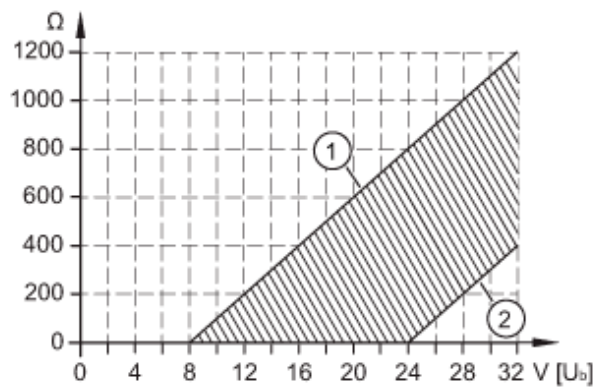
Connection



OUT analog output
 Colors to DIN EN 60947-5-2
 Core colors :
 BN = brown
 WH = white

Diagrams and graphs

Characteristic load curve current output



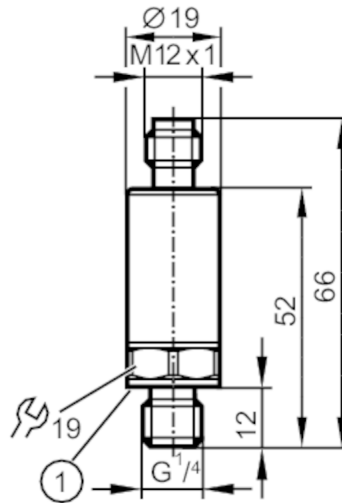
1: Max. load
 2: Min. load

PT5504



Pressure transmitter

PT-010-SEG14-A-ZVG/US



1 sealing



Product characteristics

Number of inputs and outputs	Number of analog outputs: 1			
Measuring range	0...10 bar	0...145 psi	0...1000 kPa	0...1 MPa
Process connection	threaded connection G 1/4 external thread (DIN EN ISO 1179-2)			

Application

Application	for mobile applications		
Media	liquids and gases		
Medium temperature [°C]	-40...125		
Min. burst pressure	300 bar	4350 psi	30 MPa
Pressure rating	25 bar	360 psi	2.5 MPa
Note on pressure rating	static		
Vacuum resistance	-1000 mbar	-0.1 MPa	
Type of pressure	relative pressure		

Electrical data

Operating voltage [V]	8...32 DC
Min. insulation resistance [MΩ]	100; (500 V DC)
Protection class	III
Reverse polarity protection	yes
Power-on delay time [s]	< 0.1

Inputs / outputs

Number of inputs and outputs	Number of analog outputs: 1
------------------------------	-----------------------------

Outputs

Total number of outputs	1
Output signal	analog signal
Number of analog outputs	1
Analog current output [mA]	4...20
Max. load [Ω]	(U _b - 8 V) / 21,5 mA; @8V = 0 Ω; @12V max. 200 Ω; @24V max. 750 Ω
Short-circuit proof	yes

PT5504



Pressure transmitter

PT-010-SEG14-A-ZVG/US

Overload protection	yes			
Measuring/setting range				
Measuring range	0...10 bar	0...145 psi	0...1000 kPa	0...1 MPa
Accuracy / deviations				
Repeatability [% of the span]	< ± 0,05; (with temperature fluctuations < 10 K)			
Characteristics deviation [% of the span]	< ± 0,8; (incl. drift when overtightened, zero point and span error, non-linearity, hysteresis)			
Linearity deviation [% of the span]	< ± 0,25 (BFSL) / < ± 0,5 (LS)			
Hysteresis deviation [% of the span]	< ± 0,2			
Long-term stability [% of the span]	< ± 0,1; (per 6 months)			
Temperature coefficient zero point [% of the span / 10 K]	< ± 0,1 (0...80 °C); < ± 0,2 (-40...0 °C / 80...125 °C)			
Temperature coefficient span [% of the span / 10 K]	< ± 0,1 (0...80 °C); < ± 0,2 (-40...0 °C / 80...125 °C)			
Reaction times				
Step response time analog output [ms]	2			
Operating conditions				
Ambient temperature [°C]	-40...100			
Storage temperature [°C]	-40...100			
Protection	IP 67; IP 69K			
Tests / approvals				
EMC	compliant with UN ECE R10, rev. 5	(E1 compliant)		
	ISO 11452-2	100 V/m		
	DIN EN 61326-1			
Shock resistance	DIN EN 60068-2-27	500 g (1 ms)		
Vibration resistance	DIN EN 60068-2-6	20 g (10...2000 Hz)		
MTTF [years]	711			
UL approval	UL approval number	J070		
	File number UL	E174189		
Pressure equipment directive	sound engineering practice; can be used for group 2 fluids; group 1 fluids on request			
Mechanical data				
Weight [g]	58.5			
Housing	tubular			
Dimensions [mm]	Ø 19 / L = 66			
Material	stainless steel (630/1.4542/17-4 PH); stainless steel (1.4404 / 316L); PEI			
Materials (wetted parts)	stainless steel (630/1.4542/17-4 PH)			
Min. pressure cycles	60 million; (at 1.2 times nominal pressure)			
Tightening torque [Nm]	25...35; (recommended tightening torque; Depends on lubrication, seal and pressure rating)			
Process connection	threaded connection G 1/4 external thread (DIN EN ISO 1179-2)			
Process connection sealing	HNBR (DIN EN ISO 1179-2)			

PT5504



Pressure transmitter

PT-010-SEG14-A-ZVG/US

Restrictor element integrated yes

Remarks

Remarks BFSL = Best Fit Straight Line

LS = limit value setting

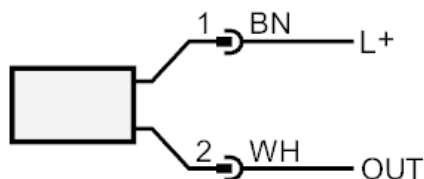
Pack quantity 1 pcs.

Electrical connection

Connector: 1 x M12; coding: A



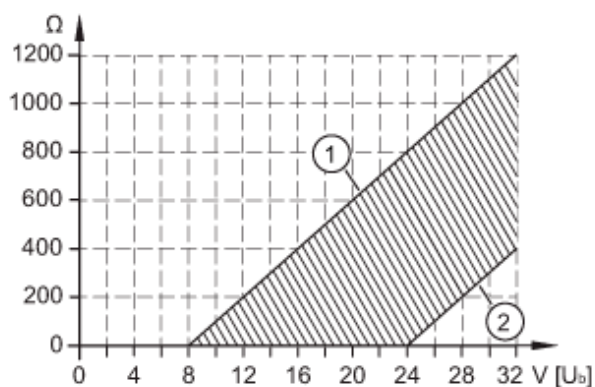
Connection



OUT analog output
Colors to DIN EN 60947-5-2
Core colors :
 BN = brown
 WH = white

Diagrams and graphs

Characteristic load curve current output



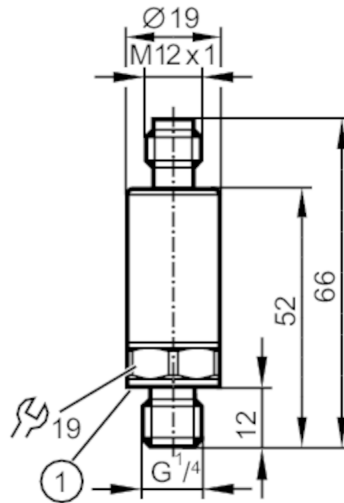
1: Max. load
 2: Min. load

PT5560



Pressure transmitter

PT-600-SEG14-A-ZVG/US



1 sealing



Product characteristics

Number of inputs and outputs	Number of analog outputs: 1		
Measuring range	0...600 bar	0...8700 psi	0...60 MPa
Process connection	threaded connection G 1/4 external thread (DIN EN ISO 1179-2)		

Application

Application	for mobile applications		
Media	liquids and gases		
Medium temperature [°C]	-40...125		
Min. burst pressure	2500 bar	36255 psi	250 MPa
Pressure rating	1500 bar	21755 psi	150 MPa
Note on pressure rating	static		
Vacuum resistance	-1000 mbar	-0.1 MPa	
Type of pressure	relative pressure		

Electrical data

Operating voltage [V]	8...32 DC		
Min. insulation resistance [MΩ]	100; (500 V DC)		
Protection class	III		
Reverse polarity protection	yes		
Power-on delay time [s]	< 0.1		

Inputs / outputs

Number of inputs and outputs	Number of analog outputs: 1		
------------------------------	-----------------------------	--	--

Outputs

Total number of outputs	1		
Output signal	analog signal		
Number of analog outputs	1		
Analog current output [mA]	4...20		
Max. load [Ω]	(U _b - 8 V) / 21,5 mA; @8V = 0 Ω; @12V max. 200 Ω; @24V max. 750 Ω		
Short-circuit proof	yes		

PT5560



Pressure transmitter

PT-600-SEG14-A-ZVG/US

Overload protection	yes
---------------------	-----

Measuring/setting range

Measuring range	0...600 bar	0...8700 psi	0...60 MPa
-----------------	-------------	--------------	------------

Accuracy / deviations

Repeatability [% of the span]	< ± 0,05; (with temperature fluctuations < 10 K)
Characteristics deviation [% of the span]	< ± 0,8; (incl. drift when overtightened, zero point and span error, non-linearity, hysteresis)
Linearity deviation [% of the span]	< ± 0,25 (BFSL) / < ± 0,5 (LS)
Hysteresis deviation [% of the span]	< ± 0,2
Long-term stability [% of the span]	< ± 0,1; (per 6 months)
Temperature coefficient zero point [% of the span / 10 K]	< ± 0,1 (0...80 °C); < ± 0,2 (-40...0 °C / 80...125 °C)
Temperature coefficient span [% of the span / 10 K]	< ± 0,1 (0...80 °C); < ± 0,2 (-40...0 °C / 80...125 °C)

Reaction times

Step response time analog output [ms]	2
---------------------------------------	---

Operating conditions

Ambient temperature [°C]	-40...100
Storage temperature [°C]	-40...100
Protection	IP 67; IP 69K

Tests / approvals

EMC	compliant with UN ECE R10, rev. 5	(E1 compliant)
	ISO 11452-2	100 V/m
	DIN EN 61326-1	
Shock resistance	DIN EN 60068-2-27	500 g (1 ms)
Vibration resistance	DIN EN 60068-2-6	20 g (10...2000 Hz)
MTTF [years]		704
UL approval	UL approval number	J074
	File number UL	E174189
Pressure equipment directive	Modul A; can be used for group 2 fluids; group 1 fluids on request	

Mechanical data

Weight [g]	59.5
Housing	tubular
Dimensions [mm]	Ø 19 / L = 66
Material	stainless steel (630/1.4542/17-4 PH); stainless steel (1.4404 / 316L); PEI
Materials (wetted parts)	stainless steel (630/1.4542/17-4 PH)
Min. pressure cycles	60 million; (at 1.2 times nominal pressure)
Tightening torque [Nm]	30...50; (recommended tightening torque; Depends on lubrication, seal and pressure rating)
Process connection	threaded connection G 1/4 external thread (DIN EN ISO 1179-2)
Process connection sealing	HNBR (DIN EN ISO 1179-2)

PT5560



Pressure transmitter

PT-600-SEG14-A-ZVG/US

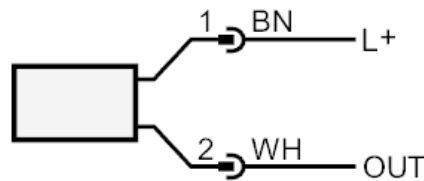
Restrictor element integrated	yes
Remarks	
Remarks	BFSL = Best Fit Straight Line LS = limit value setting
Pack quantity	1 pcs.

Electrical connection

Connector: 1 x M12; coding: A



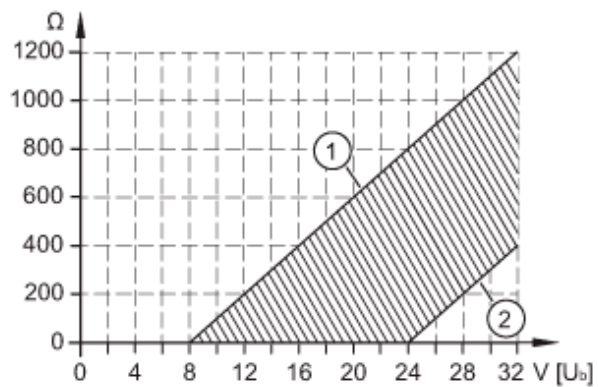
Connection



OUT analog output
 Colors to DIN EN 60947-5-2
 Core colors :
 BN = brown
 WH = white

Diagrams and graphs

Characteristic load curve current output



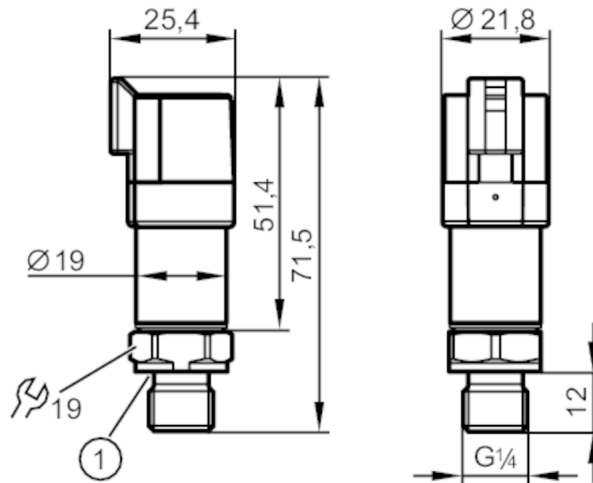
1: Max. load
 2: Min. load

PT5700



Pressure transmitter

PT-400-SEG14-A-ZVG/DE



1 sealing



Product characteristics

Number of inputs and outputs	Number of analog outputs: 1		
Measuring range	0...400 bar	0...5800 psi	0...40 MPa
Process connection	threaded connection G 1/4 external thread (DIN EN ISO 1179-2)		

Application

Application	for mobile applications		
Media	liquids and gases		
Medium temperature [°C]	-40...125		
Min. burst pressure	1700 bar	24655 psi	170 MPa
Pressure rating	1000 bar	14500 psi	100 MPa
Note on pressure rating	static		
Vacuum resistance	-1000 mbar	-0.1 MPa	
Type of pressure	relative pressure		

Electrical data

Operating voltage [V]	8...32 DC		
Min. insulation resistance [MΩ]	100; (500 V DC)		
Protection class	III		
Reverse polarity protection	yes		
Power-on delay time [s]	< 0.1		

Inputs / outputs

Number of inputs and outputs	Number of analog outputs: 1		
------------------------------	-----------------------------	--	--

Outputs

Total number of outputs	1		
Output signal	analog signal		
Number of analog outputs	1		
Analog current output [mA]	4...20		
Max. load [Ω]	(U _b - 8 V) / 21,5 mA; @8V = 0 Ω; @12V max. 200 Ω; @24V max. 750 Ω		
Short-circuit proof	yes		

PT5700



Pressure transmitter

PT-400-SEG14-A-ZVG/DE

Overload protection	yes		
Measuring/setting range			
Measuring range	0...400 bar	0...5800 psi	0...40 MPa
Accuracy / deviations			
Repeatability [% of the span]	< ± 0,05; (with temperature fluctuations < 10 K)		
Characteristics deviation [% of the span]	< ± 0,8; (incl. drift when overtightened, zero point and span error, non-linearity, hysteresis)		
Linearity deviation [% of the span]	< ± 0,25 (BFSL) / < ± 0,5 (LS)		
Hysteresis deviation [% of the span]	< ± 0,2		
Long-term stability [% of the span]	< ± 0,1; (per 6 months)		
Temperature coefficient zero point [% of the span / 10 K]	< ± 0,1 (0...80 °C); < ± 0,2 (-40...0 °C / 80...125 °C)		
Temperature coefficient span [% of the span / 10 K]	< ± 0,1 (0...80 °C); < ± 0,2 (-40...0 °C / 80...125 °C)		
Reaction times			
Step response time analog output [ms]	2		
Operating conditions			
Ambient temperature [°C]	-40...100		
Storage temperature [°C]	-40...100		
Protection	IP 67; IP 69K		
Tests / approvals			
EMC	compliant with UN ECE R10, rev. 5	(E1 compliant)	
	ISO 11452-2	100 V/m	
	DIN EN 61326-1		
Shock resistance	DIN EN 60068-2-27	500 g (1 ms)	
Vibration resistance	DIN EN 60068-2-6	20 g (10...2000 Hz)	
MTTF [years]	700		
Pressure equipment directive	sound engineering practice; can be used for group 2 fluids; group 1 fluids on request		
Mechanical data			
Weight [g]	62.5		
Housing	tubular		
Dimensions [mm]	Ø 19 / L = 71.5		
Material	stainless steel (630/1.4542/17-4 PH); stainless steel (1.4404 / 316L); PPS		
Materials (wetted parts)	stainless steel (630/1.4542/17-4 PH)		
Min. pressure cycles	60 million; (at 1.2 times nominal pressure)		
Tightening torque [Nm]	25...35; (recommended tightening torque; Depends on lubrication, seal and pressure rating)		
Process connection	threaded connection G 1/4 external thread (DIN EN ISO 1179-2)		
Process connection sealing	HNBR (DIN EN ISO 1179-2)		
Restrictor element integrated	yes		

PT5700



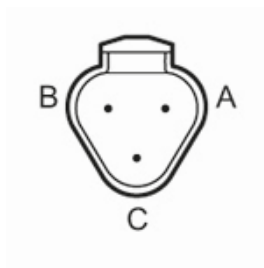
Pressure transmitter

PT-400-SEG14-A-ZVG/DE

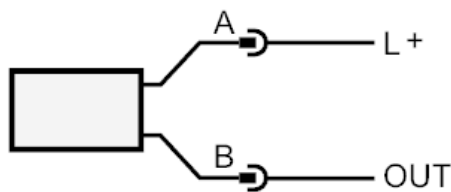
Remarks	
Remarks	BFSL = Best Fit Straight Line LS = limit value setting
Pack quantity	1 pcs.

Electrical connection

Connector: 1 x DEUTSCH connector (DT04-3P)



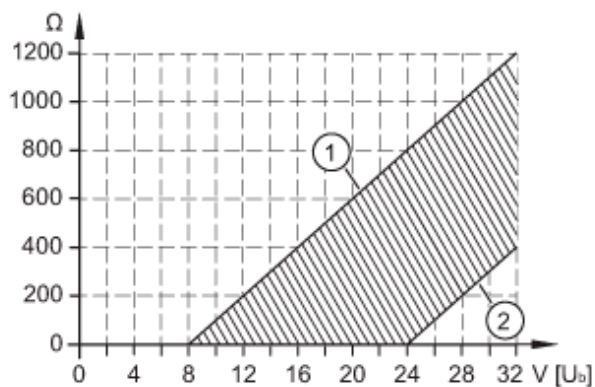
Connection



OUT analog output

Diagrams and graphs

Characteristic load curve current output



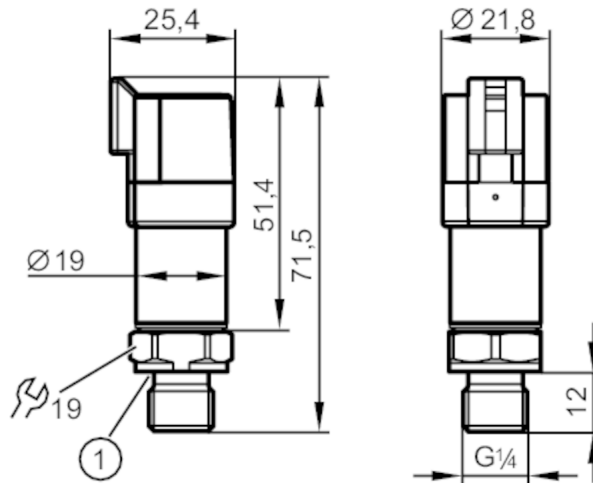
- 1: Max. load
- 2: Min. load

PT5701



Pressure transmitter

PT-250-SEG14-A-ZVG/DE



1 sealing



Product characteristics

Number of inputs and outputs	Number of analog outputs: 1		
Measuring range	0...250 bar	0...3625 psi	0...25 MPa
Process connection	threaded connection G 1/4 external thread (DIN EN ISO 1179-2)		

Application

Application	for mobile applications		
Media	liquids and gases		
Medium temperature [°C]	-40...125		
Min. burst pressure	1200 bar	17400 psi	120 MPa
Pressure rating	625 bar	9060 psi	62.5 MPa
Note on pressure rating	static		
Vacuum resistance	-1000 mbar	-0.1 MPa	
Type of pressure	relative pressure		

Electrical data

Operating voltage [V]	8...32 DC		
Min. insulation resistance [MΩ]	100; (500 V DC)		
Protection class	III		
Reverse polarity protection	yes		
Power-on delay time [s]	< 0.1		

Inputs / outputs

Number of inputs and outputs	Number of analog outputs: 1		
------------------------------	-----------------------------	--	--

Outputs

Total number of outputs	1		
Output signal	analog signal		
Number of analog outputs	1		
Analog current output [mA]	4...20		
Max. load [Ω]	(U _b - 8 V) / 21,5 mA; @8V = 0 Ω; @12V max. 200 Ω; @24V max. 750 Ω		
Short-circuit proof	yes		

PT5701



Pressure transmitter

PT-250-SEG14-A-ZVG/DE

Overload protection	yes		
Measuring/setting range			
Measuring range	0...250 bar	0...3625 psi	0...25 MPa
Accuracy / deviations			
Repeatability [% of the span]	< ± 0,05; (with temperature fluctuations < 10 K)		
Characteristics deviation [% of the span]	< ± 0,8; (incl. drift when overtightened, zero point and span error, non-linearity, hysteresis)		
Linearity deviation [% of the span]	< ± 0,25 (BFSL) / < ± 0,5 (LS)		
Hysteresis deviation [% of the span]	< ± 0,2		
Long-term stability [% of the span]	< ± 0,1; (per 6 months)		
Temperature coefficient zero point [% of the span / 10 K]	< ± 0,1 (0...80 °C); < ± 0,2 (-40...0 °C / 80...125 °C)		
Temperature coefficient span [% of the span / 10 K]	< ± 0,1 (0...80 °C); < ± 0,2 (-40...0 °C / 80...125 °C)		
Reaction times			
Step response time analog output [ms]	2		
Operating conditions			
Ambient temperature [°C]	-40...100		
Storage temperature [°C]	-40...100		
Protection	IP 67; IP 69K		
Tests / approvals			
EMC	compliant with UN ECE R10, rev. 5	(E1 compliant)	
	ISO 11452-2	100 V/m	
	DIN EN 61326-1		
Shock resistance	DIN EN 60068-2-27	500 g (1 ms)	
Vibration resistance	DIN EN 60068-2-6	20 g (10...2000 Hz)	
MTTF [years]	700		
Pressure equipment directive	sound engineering practice; can be used for group 2 fluids; group 1 fluids on request		
Mechanical data			
Weight [g]	62.5		
Housing	tubular		
Dimensions [mm]	Ø 19 / L = 71.5		
Material	stainless steel (630/1.4542/17-4 PH); stainless steel (1.4404 / 316L); PPS		
Materials (wetted parts)	stainless steel (630/1.4542/17-4 PH)		
Min. pressure cycles	60 million; (at 1.2 times nominal pressure)		
Tightening torque [Nm]	25...35; (recommended tightening torque; Depends on lubrication, seal and pressure rating)		
Process connection	threaded connection G 1/4 external thread (DIN EN ISO 1179-2)		
Process connection sealing	HNBR (DIN EN ISO 1179-2)		
Restrictor element integrated	yes		

PT5701



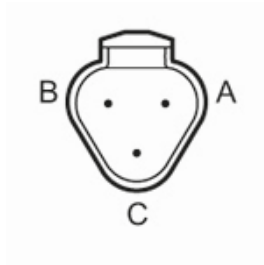
Pressure transmitter

PT-250-SEG14-A-ZVG/DE

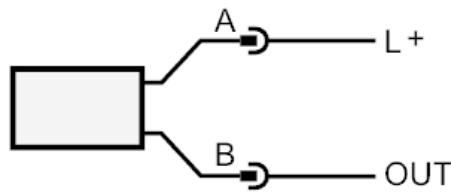
Remarks	
Remarks	BFSL = Best Fit Straight Line LS = limit value setting
Pack quantity	1 pcs.

Electrical connection

Connector: 1 x DEUTSCH connector (DT04-3P)



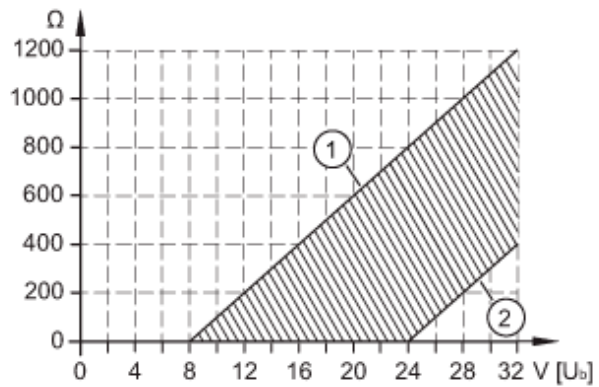
Connection



OUT analog output

Diagrams and graphs

Characteristic load curve current output



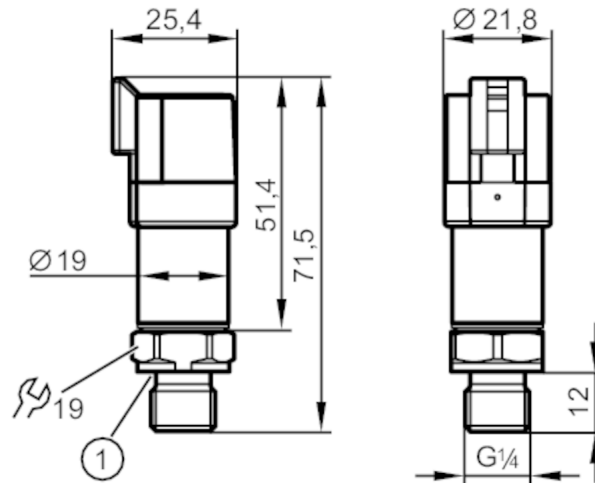
- 1: Max. load
- 2: Min. load

PT5702



Pressure transmitter

PT-100-SEG14-A-ZVG/DE



1 sealing



Product characteristics

Number of inputs and outputs	Number of analog outputs: 1		
Measuring range	0...100 bar	0...1450 psi	0...10 MPa
Process connection	threaded connection G 1/4 external thread (DIN EN ISO 1179-2)		

Application

Application	for mobile applications		
Media	liquids and gases		
Medium temperature [°C]	-40...125		
Min. burst pressure	1000 bar	14500 psi	100 MPa
Pressure rating	250 bar	3625 psi	25 MPa
Note on pressure rating	static		
Vacuum resistance	-1000 mbar	-0.1 MPa	
Type of pressure	relative pressure		

Electrical data

Operating voltage [V]	8...32 DC		
Min. insulation resistance [MΩ]	100; (500 V DC)		
Protection class	III		
Reverse polarity protection	yes		
Power-on delay time [s]	< 0.1		

Inputs / outputs

Number of inputs and outputs	Number of analog outputs: 1		
------------------------------	-----------------------------	--	--

Outputs

Total number of outputs	1		
Output signal	analog signal		
Number of analog outputs	1		
Analog current output [mA]	4...20		
Max. load [Ω]	(U _b - 8 V) / 21,5 mA; @8V = 0 Ω; @12V max. 200 Ω; @24V max. 750 Ω		
Short-circuit proof	yes		

PT5702



Pressure transmitter

PT-100-SEG14-A-ZVG/DE

Overload protection	yes		
Measuring/setting range			
Measuring range	0...100 bar	0...1450 psi	0...10 MPa
Accuracy / deviations			
Repeatability [% of the span]	< ± 0,05; (with temperature fluctuations < 10 K)		
Characteristics deviation [% of the span]	< ± 0,8; (incl. drift when overtightened, zero point and span error, non-linearity, hysteresis)		
Linearity deviation [% of the span]	< ± 0,25 (BFSL) / < ± 0,5 (LS)		
Hysteresis deviation [% of the span]	< ± 0,2		
Long-term stability [% of the span]	< ± 0,1; (per 6 months)		
Temperature coefficient zero point [% of the span / 10 K]	< ± 0,1 (0...80 °C); < ± 0,2 (-40...0 °C / 80...125 °C)		
Temperature coefficient span [% of the span / 10 K]	< ± 0,1 (0...80 °C); < ± 0,2 (-40...0 °C / 80...125 °C)		
Reaction times			
Step response time analog output [ms]	2		
Operating conditions			
Ambient temperature [°C]	-40...100		
Storage temperature [°C]	-40...100		
Protection	IP 67; IP 69K		
Tests / approvals			
EMC	compliant with UN ECE R10, rev. 5	(E1 compliant)	
	ISO 11452-2	100 V/m	
	DIN EN 61326-1		
Shock resistance	DIN EN 60068-2-27	500 g (1 ms)	
Vibration resistance	DIN EN 60068-2-6	20 g (10...2000 Hz)	
MTTF [years]	700		
Pressure equipment directive	sound engineering practice; can be used for group 2 fluids; group 1 fluids on request		
Mechanical data			
Weight [g]	61.5		
Housing	tubular		
Dimensions [mm]	Ø 19 / L = 71.5		
Material	stainless steel (630/1.4542/17-4 PH); stainless steel (1.4404 / 316L); PPS		
Materials (wetted parts)	stainless steel (630/1.4542/17-4 PH)		
Min. pressure cycles	60 million; (at 1.2 times nominal pressure)		
Tightening torque [Nm]	25...35; (recommended tightening torque; Depends on lubrication, seal and pressure rating)		
Process connection	threaded connection G 1/4 external thread (DIN EN ISO 1179-2)		
Process connection sealing	HNBR (DIN EN ISO 1179-2)		
Restrictor element integrated	yes		

PT5702



Pressure transmitter

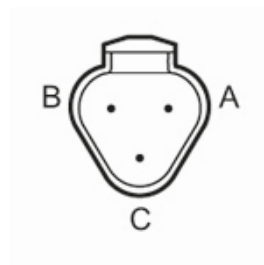
PT-100-SEG14-A-ZVG/DE

Remarks

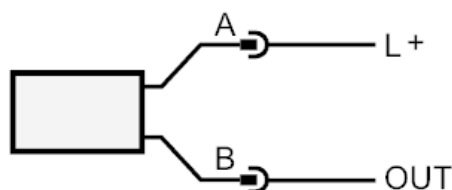
Remarks	BFSL = Best Fit Straight Line LS = limit value setting
Pack quantity	1 pcs.

Electrical connection

Connector: 1 x DEUTSCH connector (DT04-3P)



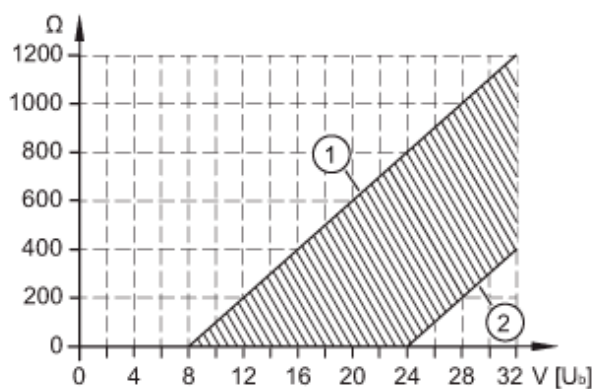
Connection



OUT analog output

Diagrams and graphs

Characteristic load curve current output



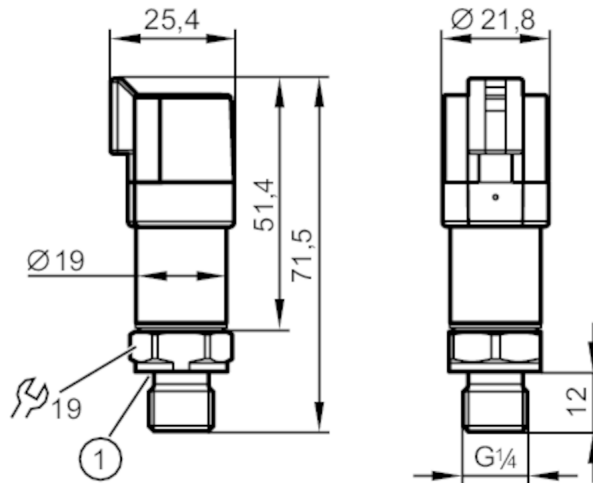
- 1: Max. load
- 2: Min. load

PT5703



Pressure transmitter

PT-025-SEG14-A-ZVG/DE



1 sealing



Product characteristics

Number of inputs and outputs	Number of analog outputs: 1		
Measuring range	0...25 bar	0...360 psi	0...2.5 MPa
Process connection	threaded connection G 1/4 external thread (DIN EN ISO 1179-2)		

Application

Application	for mobile applications		
Media	liquids and gases		
Medium temperature [°C]	-40...125		
Min. burst pressure	600 bar	8700 psi	60 MPa
Pressure rating	65 bar	940 psi	6.5 MPa
Note on pressure rating	static		
Vacuum resistance	-1000 mbar	-0.1 MPa	
Type of pressure	relative pressure		

Electrical data

Operating voltage [V]	8...32 DC		
Min. insulation resistance [MΩ]	100; (500 V DC)		
Protection class	III		
Reverse polarity protection	yes		
Power-on delay time [s]	< 0.1		

Inputs / outputs

Number of inputs and outputs	Number of analog outputs: 1		
------------------------------	-----------------------------	--	--

Outputs

Total number of outputs	1		
Output signal	analog signal		
Number of analog outputs	1		
Analog current output [mA]	4...20		
Max. load [Ω]	(U _b - 8 V) / 21,5 mA; @8V = 0 Ω; @12V max. 200 Ω; @24V max. 750 Ω		
Short-circuit proof	yes		

PT5703



Pressure transmitter

PT-025-SEG14-A-ZVG/DE

Overload protection	yes		
Measuring/setting range			
Measuring range	0...25 bar	0...360 psi	0...2.5 MPa
Accuracy / deviations			
Repeatability [% of the span]	< ± 0,05; (with temperature fluctuations < 10 K)		
Characteristics deviation [% of the span]	< ± 0,8; (incl. drift when overtightened, zero point and span error, non-linearity, hysteresis)		
Linearity deviation [% of the span]	< ± 0,25 (BFSL) / < ± 0,5 (LS)		
Hysteresis deviation [% of the span]	< ± 0,2		
Long-term stability [% of the span]	< ± 0,1; (per 6 months)		
Temperature coefficient zero point [% of the span / 10 K]	< ± 0,1 (0...80 °C); < ± 0,2 (-40...0 °C / 80...125 °C)		
Temperature coefficient span [% of the span / 10 K]	< ± 0,1 (0...80 °C); < ± 0,3 (-40...0 °C); < ± 0,2 (80...125 °C)		
Reaction times			
Step response time analog output [ms]	2		
Operating conditions			
Ambient temperature [°C]	-40...100		
Storage temperature [°C]	-40...100		
Protection	IP 67; IP 69K		
Tests / approvals			
EMC	compliant with UN ECE R10, rev. 5	(E1 compliant)	
	ISO 11452-2	100 V/m	
	DIN EN 61326-1		
Shock resistance	DIN EN 60068-2-27	500 g (1 ms)	
Vibration resistance	DIN EN 60068-2-6	20 g (10...2000 Hz)	
MTTF [years]	700		
Pressure equipment directive	sound engineering practice; can be used for group 2 fluids; group 1 fluids on request		
Mechanical data			
Weight [g]	61.5		
Housing	tubular		
Dimensions [mm]	Ø 19 / L = 71.5		
Material	stainless steel (630/1.4542/17-4 PH); stainless steel (1.4404 / 316L); PPS		
Materials (wetted parts)	stainless steel (630/1.4542/17-4 PH)		
Min. pressure cycles	60 million; (at 1.2 times nominal pressure)		
Tightening torque [Nm]	25...35; (recommended tightening torque; Depends on lubrication, seal and pressure rating)		
Process connection	threaded connection G 1/4 external thread (DIN EN ISO 1179-2)		
Process connection sealing	HNBR (DIN EN ISO 1179-2)		
Restrictor element integrated	yes		

PT5703



Pressure transmitter

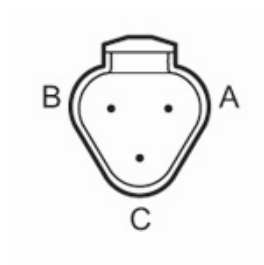
PT-025-SEG14-A-ZVG/DE

Remarks

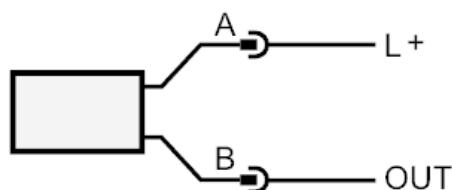
Remarks	BFSL = Best Fit Straight Line LS = limit value setting
Pack quantity	1 pcs.

Electrical connection

Connector: 1 x DEUTSCH connector (DT04-3P)



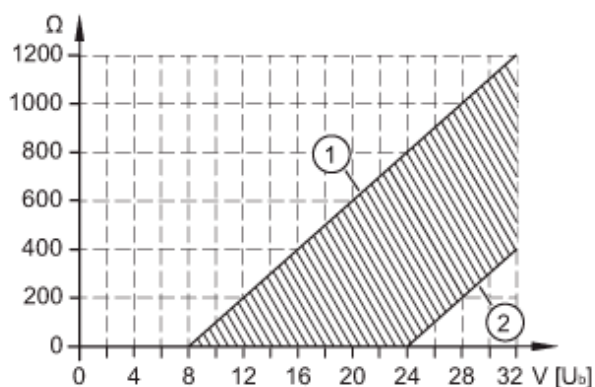
Connection



OUT analog output

Diagrams and graphs

Characteristic load curve current output



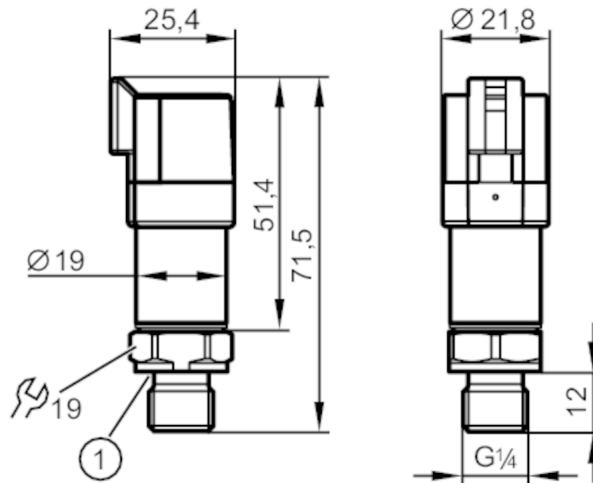
- 1: Max. load
- 2: Min. load

PT5704



Pressure transmitter

PT-010-SEG14-A-ZVG/DE



1 sealing



Product characteristics

Number of inputs and outputs	Number of analog outputs: 1			
Measuring range	0...10 bar	0...145 psi	0...1000 kPa	0...1 MPa
Process connection	threaded connection G 1/4 external thread (DIN EN ISO 1179-2)			

Application

Application	for mobile applications		
Media	liquids and gases		
Medium temperature [°C]	-40...125		
Min. burst pressure	300 bar	4350 psi	30 MPa
Pressure rating	25 bar	360 psi	2.5 MPa
Note on pressure rating	static		
Vacuum resistance	-1000 mbar	-0.1 MPa	
Type of pressure	relative pressure		

Electrical data

Operating voltage [V]	8...32 DC
Min. insulation resistance [MΩ]	100; (500 V DC)
Protection class	III
Reverse polarity protection	yes
Power-on delay time [s]	< 0.1

Inputs / outputs

Number of inputs and outputs	Number of analog outputs: 1
------------------------------	-----------------------------

Outputs

Total number of outputs	1
Output signal	analog signal
Number of analog outputs	1
Analog current output [mA]	4...20
Max. load [Ω]	(U _b - 8 V) / 21,5 mA; @8V = 0 Ω; @12V max. 200 Ω; @24V max. 750 Ω
Short-circuit proof	yes

PT5704



Pressure transmitter

PT-010-SEG14-A-ZVG/DE

Overload protection	yes			
Measuring/setting range				
Measuring range	0...10 bar	0...145 psi	0...1000 kPa	0...1 MPa
Accuracy / deviations				
Repeatability [% of the span]	< ± 0,05; (with temperature fluctuations < 10 K)			
Characteristics deviation [% of the span]	< ± 0,8; (incl. drift when overtightened, zero point and span error, non-linearity, hysteresis)			
Linearity deviation [% of the span]	< ± 0,25 (BFSL) / < ± 0,5 (LS)			
Hysteresis deviation [% of the span]	< ± 0,2			
Long-term stability [% of the span]	< ± 0,1; (per 6 months)			
Temperature coefficient zero point [% of the span / 10 K]	< ± 0,1 (0...80 °C); < ± 0,2 (-40...0 °C / 80...125 °C)			
Temperature coefficient span [% of the span / 10 K]	< ± 0,1 (0...80 °C); < ± 0,2 (-40...0 °C / 80...125 °C)			
Reaction times				
Step response time analog output [ms]	2			
Operating conditions				
Ambient temperature [°C]	-40...100			
Storage temperature [°C]	-40...100			
Protection	IP 67; IP 69K			
Tests / approvals				
EMC	compliant with UN ECE R10, rev. 5	(E1 compliant)		
	ISO 11452-2	100 V/m		
	DIN EN 61326-1			
Shock resistance	DIN EN 60068-2-27	500 g (1 ms)		
Vibration resistance	DIN EN 60068-2-6	20 g (10...2000 Hz)		
MTTF [years]	700			
Pressure equipment directive	sound engineering practice; can be used for group 2 fluids; group 1 fluids on request			
Mechanical data				
Weight [g]	61.5			
Housing	tubular			
Dimensions [mm]	Ø 19 / L = 71.5			
Material	stainless steel (630/1.4542/17-4 PH); stainless steel (1.4404 / 316L); PPS			
Materials (wetted parts)	stainless steel (630/1.4542/17-4 PH)			
Min. pressure cycles	60 million; (at 1.2 times nominal pressure)			
Tightening torque [Nm]	25...35; (recommended tightening torque; Depends on lubrication, seal and pressure rating)			
Process connection	threaded connection G 1/4 external thread (DIN EN ISO 1179-2)			
Process connection sealing	HNBR (DIN EN ISO 1179-2)			
Restrictor element integrated	yes			

PT5704



Pressure transmitter

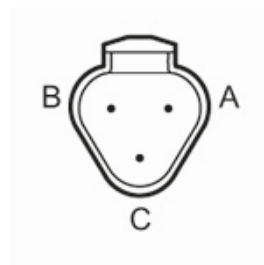
PT-010-SEG14-A-ZVG/DE

Remarks

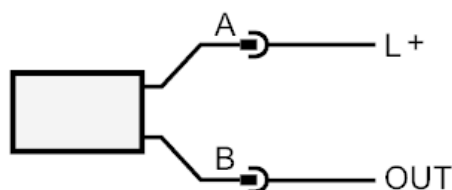
Remarks	BFSL = Best Fit Straight Line LS = limit value setting
Pack quantity	1 pcs.

Electrical connection

Connector: 1 x DEUTSCH connector (DT04-3P)



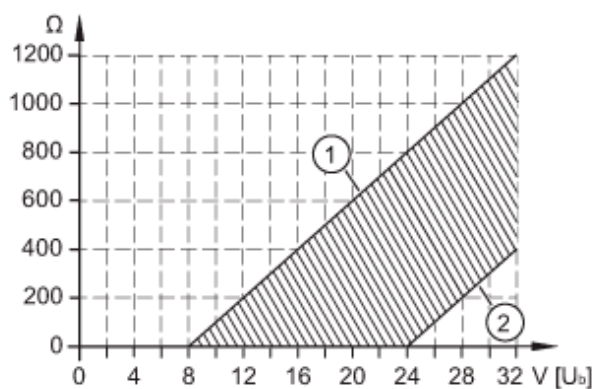
Connection



OUT analog output

Diagrams and graphs

Characteristic load curve current output



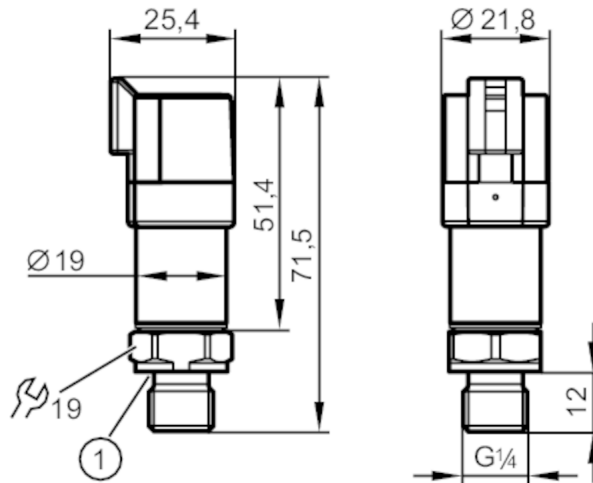
- 1: Max. load
- 2: Min. load

PT5760



Pressure transmitter

PT-600-SEG14-A-ZVG/DE



1 sealing



Product characteristics

Number of inputs and outputs	Number of analog outputs: 1		
Measuring range	0...600 bar	0...8700 psi	0...60 MPa
Process connection	threaded connection G 1/4 external thread (DIN EN ISO 1179-2)		

Application

Application	for mobile applications		
Media	liquids and gases		
Medium temperature [°C]	-40...125		
Min. burst pressure	2500 bar	36255 psi	250 MPa
Pressure rating	1500 bar	21755 psi	150 MPa
Note on pressure rating	static		
Vacuum resistance	-1000 mbar	-0.1 MPa	
Type of pressure	relative pressure		

Electrical data

Operating voltage [V]	8...32 DC		
Min. insulation resistance [MΩ]	100; (500 V DC)		
Protection class	III		
Reverse polarity protection	yes		
Power-on delay time [s]	< 0.1		

Inputs / outputs

Number of inputs and outputs	Number of analog outputs: 1		
------------------------------	-----------------------------	--	--

Outputs

Total number of outputs	1		
Output signal	analog signal		
Number of analog outputs	1		
Analog current output [mA]	4...20		
Max. load [Ω]	(U _b - 8 V) / 21,5 mA; @8V = 0 Ω; @12V max. 200 Ω; @24V max. 750 Ω		
Short-circuit proof	yes		

PT5760



Pressure transmitter

PT-600-SEG14-A-ZVG/DE

Overload protection	yes		
Measuring/setting range			
Measuring range	0...600 bar	0...8700 psi	0...60 MPa
Accuracy / deviations			
Repeatability [% of the span]	< ± 0,05; (with temperature fluctuations < 10 K)		
Characteristics deviation [% of the span]	< ± 0,8; (incl. drift when overtightened, zero point and span error, non-linearity, hysteresis)		
Linearity deviation [% of the span]	< ± 0,25 (BFSL) / < ± 0,5 (LS)		
Hysteresis deviation [% of the span]	< ± 0,2		
Long-term stability [% of the span]	< ± 0,1; (per 6 months)		
Temperature coefficient zero point [% of the span / 10 K]	< ± 0,1 (0...80 °C); < ± 0,2 (-40...0 °C / 80...125 °C)		
Temperature coefficient span [% of the span / 10 K]	< ± 0,1 (0...80 °C); < ± 0,2 (-40...0 °C / 80...125 °C)		
Reaction times			
Step response time analog output [ms]	2		
Operating conditions			
Ambient temperature [°C]	-40...100		
Storage temperature [°C]	-40...100		
Protection	IP 67; IP 69K		
Tests / approvals			
EMC	compliant with UN ECE R10, rev. 5	(E1 compliant)	
	ISO 11452-2	100 V/m	
	DIN EN 61326-1		
Shock resistance	DIN EN 60068-2-27	500 g (1 ms)	
Vibration resistance	DIN EN 60068-2-6	20 g (10...2000 Hz)	
MTTF [years]	700		
Pressure equipment directive	Modul A; can be used for group 2 fluids; group 1 fluids on request		
Mechanical data			
Weight [g]	62.5		
Housing	tubular		
Dimensions [mm]	Ø 19 / L = 71.5		
Material	stainless steel (630/1.4542/17-4 PH); stainless steel (1.4404 / 316L); PPS		
Materials (wetted parts)	stainless steel (630/1.4542/17-4 PH)		
Min. pressure cycles	60 million; (at 1.2 times nominal pressure)		
Tightening torque [Nm]	30...50; (recommended tightening torque; Depends on lubrication, seal and pressure rating)		
Process connection	threaded connection G 1/4 external thread (DIN EN ISO 1179-2)		
Process connection sealing	HNBR (DIN EN ISO 1179-2)		
Restrictor element integrated	yes		

PT5760



Pressure transmitter

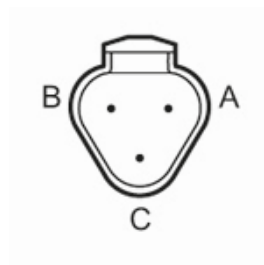
PT-600-SEG14-A-ZVG/DE

Remarks

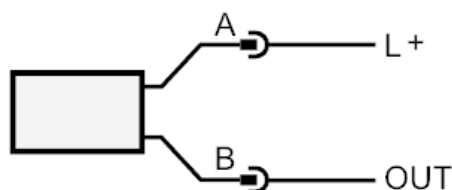
Remarks	BFSL = Best Fit Straight Line LS = limit value setting
Pack quantity	1 pcs.

Electrical connection

Connector: 1 x DEUTSCH connector (DT04-3P)



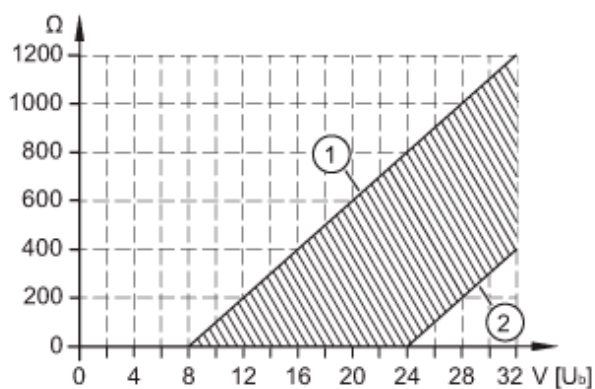
Connection



OUT analog output

Diagrams and graphs

Characteristic load curve current output



- 1: Max. load
- 2: Min. load