

Operating Instructions

OPTISWITCH 4000 C

with transistor output



Variable area flowmeters

Vortex flowmeters

Flow controllers

Electromagnetic flowmeters

Ultrasonic flowmeters

Mass flowmeters

Level measuring instruments

Communications engineering

Engineering systems & solutions

Switches, counters, displays and recorders

Heat metering

Pressure and temperature

Contents

1	About this document	
1.1	Function	3
1.2	Target group	3
1.3	Symbolism used	3
2	For your safety	
2.1	Authorised personnel	4
2.2	Appropriate use	4
2.3	Warning about misuse	4
2.4	CE conformity	4
3	Product description	
3.1	Configuration	5
3.2	Principle of operation	5
3.3	Operation	6
3.4	Storage and transport	6
4	Mounting	
4.1	General instructions	8
4.2	Mounting instructions	10
5	Connecting to voltage supply	
5.1	Preparing the connection	13
5.2	Wiring plan	14
6	Set up	
6.1	Indication of the switching status	18
6.2	Function test	18
6.3	Function chart	19
7	Maintenance and fault rectification	
7.1	Maintenance	20
7.2	Rectify faults	20
7.3	Exchange the electronics	21
7.4	Instrument repair	22
8	Dismounting	
8.1	Dismounting procedure	24
8.2	Disposal	24
9	Supplement	
9.1	Technical data	25
9.2	Dimensions	28

1 About this document

1.1 Function

This operating instructions manual has all the information you need for quick setup and safe operation. Please read this manual before you start setup.

1.2 Target group

This operating instructions manual is directed to trained, qualified personnel. The contents of this manual should be made available to these personnel and put into practice by them.

1.3 Symbolism used



Information, tip, note

This symbol indicates helpful additional information.



Caution: If this warning is ignored, faults or malfunctions can result.

Warning: If this warning is ignored, injury to persons and/or serious damage to the instrument can result.

Danger: If this warning is ignored, serious injury to persons and/or destruction of the instrument can result.



Ex applications

This symbol indicates special instructions for Ex applications.



List

The dot set in front indicates a list with no implied sequence.



Action

This arrow indicates a single action.



Sequence

Numbers set in front indicate successive steps in a procedure.

2 For your safety

2.1 Authorised personnel

All operations described in this operating instructions manual must be carried out only by trained specialist personnel authorised by the operator. For safety and warranty reasons, any internal work on the instruments must be carried out only by personnel authorised by the manufacturer.

2.2 Appropriate use

OPTISWITCH 4000 C is a sensor for level detection.

Detailed information on the application range of OPTISWITCH 4000 C is available in chapter "*Product description*".

2.3 Warning about misuse

Inappropriate or incorrect use of the instrument can give rise to application-specific hazards, e.g. vessel overfill or damage to system components through incorrect mounting or adjustment.

2.4 General safety instructions

OPTISWITCH 4000 C is a high-tech instrument requiring the strict observance of standard regulations and guidelines. The user must take note of the safety instructions in this operating instructions manual, the country-specific installation standards (e.g. the VDE regulations in Germany) as well as all prevailing safety regulations and accident prevention rules.

2.5 CE conformity

OPTISWITCH 4000 C is in CE conformity with EMC (89/336/ EWG), fulfils Namur recommendation NE 21 and NE 23 and is in CE conformity with NSR (73/23/EWG).

Conformity has been judged according to the following standards:

- EMC:
 - Emission EN 61326: 1997 (class B)
 - Susceptibility EN 61326: 1997/A1:1998
- LVD: EN 61010-1: 2001

3 Product description

3.1 Configuration

Scope of delivery

The scope of delivery encompasses:

- OPTISWITCH 4000 C level sensor
- Test magnet
- Documentation
 - this operating instructions manual
 - if necessary, certificates

Components

OPTISWITCH 4000 C consists of the following components:

- Housing with electronics
- process fitting with tuning fork



Fig. 1: OPTISWITCH 4000 C

3.2 Principle of operation

Area of application

OPTISWITCH 4000 C is a level sensor with tuning fork for level detection.

It is designed for industrial use in all areas of process technology and can be used in liquids.

Typical applications are overflow and dry run protection. With a tuning fork of only 40 mm length, OPTISWITCH 4000 C can be also mounted, e.g. in pipelines from DN 25. The small tuning

fork allows use in vessels, tanks and pipes. Thanks to its simple and robust measuring system, OPTISWITCH 4000 C is virtually unaffected by the chemical and physical properties of the liquid.

It functions even under difficult conditions such as turbulence, air bubbles, foam generation, buildup, strong external vibration or changing products.

Fault monitoring

The electronics module of OPTISWITCH 4000 C continuously monitors via frequency evaluation the following criteria:

- Strong corrosion or damage on the tuning fork
- loss of vibration
- Line break to the piezo drive

If a malfunction is detected or in case of power failure, the electronics takes on a defined switching condition, i.e. the output transistor blocks (safe condition).

Physical principle

The tuning fork is piezoelectrically energised and vibrates at its mechanical resonance frequency of approx. 1200 Hz. The piezos are fixed mechanically and are hence not subject to temperature shock limitations. The frequency changes when the tuning fork is covered by the medium. This change is detected by the integrated oscillator and converted into a switching command.

Power supply

OPTISWITCH 4000 C is a compact instrument, i.e. it can be operated without external evaluation system. The integrated electronics evaluates the level signal and outputs a switching signal. With this switching signal, a connected device can be directly activated (e.g. a warning system, a PLC, a pump etc.).

The exact range of the power supply is stated in the "*Technical data*" in the "*Supplement*".

3.3 Operation

The switching status of OPTISWITCH 4000 C can be checked with closed housing (signal lamp). Products with a density $>0.7 \text{ g/cm}^3$ ($>0.025 \text{ lbs/in}^3$) can be detected.

3.4 Storage and transport

Packaging

Your instrument was protected by packaging during transport. Its capacity to handle normal loads during transport is assured by a test according to DIN 55439.

The packaging of standard instruments consists of environment-friendly, recyclable cardboard. For special versions, PE foam or PE foil is also used. Dispose of the packaging material via specialised recycling companies.

Storage and transport temperature

- Storage and transport temperature see "*Supplement - Technical data - Ambient conditions*"
- Relative humidity 20 ... 85 %

4 Mounting

4.1 General instructions

Switching point

In general, OPTISWITCH 4000 C can be mounted in any position. The instrument must be mounted in such a way that the tuning fork is at the height of the requested switching point.

The tuning fork has lateral marking (notches), marking the switching point with vertical mounting. The switching point refers to water (1 g/cm^3 or 0.036 lbs/in^3). When mounting OPTISWITCH 4000 C, make sure that this marking is at the height of the requested switching point. Keep in mind that the switching point of the instrument is shifted if the medium has a density other than water.

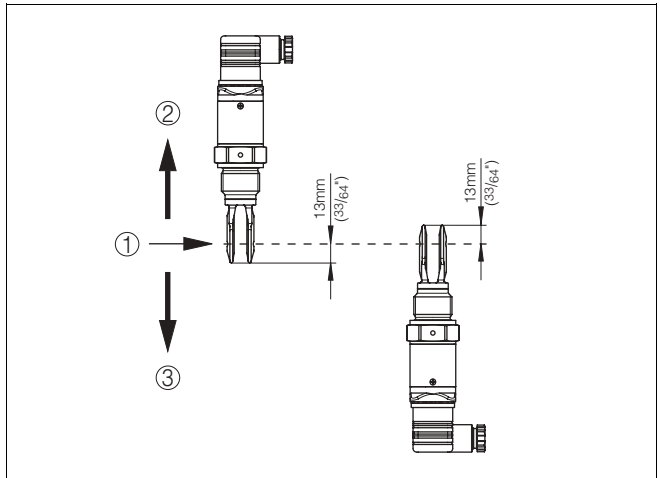


Fig. 2: Vertical mounting

- 1 Switching point approx. 13 mm (0.51 in)
- 2 Switching point with lower density
- 3 Switching point with higher density

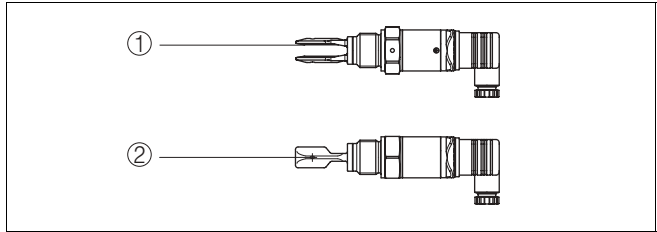


Fig. 3: Horizontal mounting

- 1 Switching point
- 2 Switching point (recommended mounting position - particularly for adhesive products)

Moisture

Use the recommended cables (see chapter "Connecting to power supply") and tighten the cable gland.

You can give your OPTISWITCH 4000 C additional protection against moisture penetration by leading the connection cable downward in front of the cable entry. Rain and condensation water can thus drain off. This applies mainly to mounting outdoors, in areas where moisture is expected (e.g. by cleaning processes) or on cooled or heated vessels.

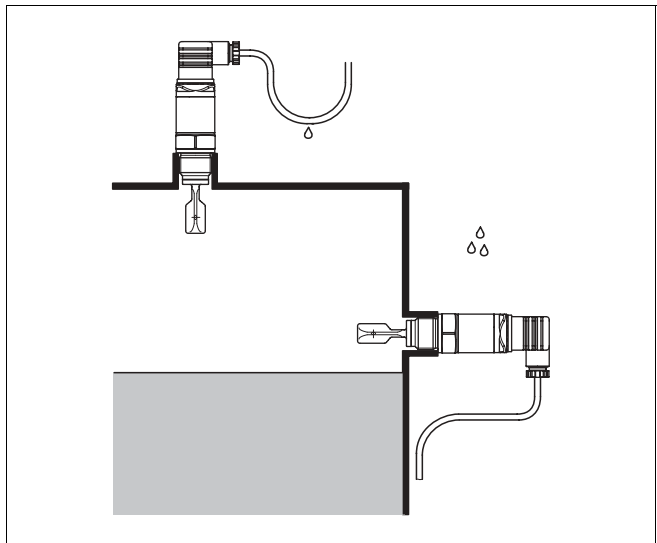


Fig. 4: Measures against moisture penetration

Transport

Do not hold OPTISWITCH 4000 C on the tuning fork.

Pressure/Vacuum

The process fitting must be sealed if there is gauge or low pressure in the vessel. Before use, check if the seal material is resistant against the measured product and the process temperature.

The max. permissible pressure is stated in the "*Technical data*" in the "*Supplement*" or on the type label of the sensor.

Handling

The vibrating level switch is a measuring instrument and must be treated accordingly. Bending the vibrating element will destroy the instrument.

**Warning:**

The housing must not be used to screw in the instrument! Applying tightening force on the housing can damage its internal mechanical parts.

To screw in, use the hexagon above the thread.

4.2 Mounting instructions

Welded socket

For welded socket with O-ring in front and welding marking.

OPTISWITCH 4000 C has a defined thread runout point. This means that every OPTISWITCH 4000 C is in the same position after being screwed in. Remove therefore the supplied flat seal from the thread of OPTISWITCH 4000 C. This flat seal is not required when using a welded socket with front-flush O-ring.

Before welding, unscrew OPTISWITCH 4000 C and remove the rubber ring from the welded socket.

The welded socket has a marking (notch). For horizontal mounting, weld the socket with the notch facing upward or downward; in pipelines aligned with the direction of flow.

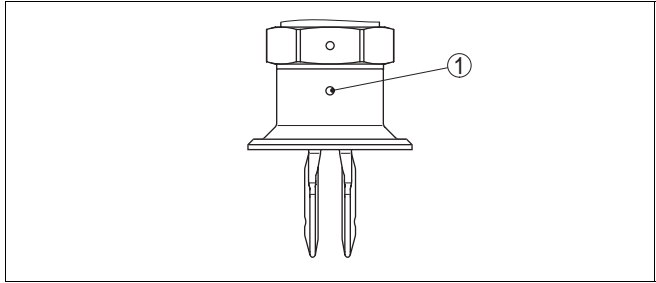


Fig. 5: Marking on the welded socket
1 Marking

Adhesive products

In case of horizontal mounting in adhesive and viscous products, the surfaces of the tuning fork should be vertical in order to reduce buildup on the tuning fork. The position of the tuning fork is marked by a marking on the hexagon of OPTISWITCH 4000 C. With this, you can check the position of the tuning fork when screwing it in. When the hexagon touches the seal, the thread can still be turned by approx. half a turn. This is sufficient to reach the recommended installation position.

In adhesive and viscous products, the surfaces of the tuning fork should protrude into the vessel to avoid buildup. Therefore sockets for flanges and mountings bosses should not exceed a certain length.

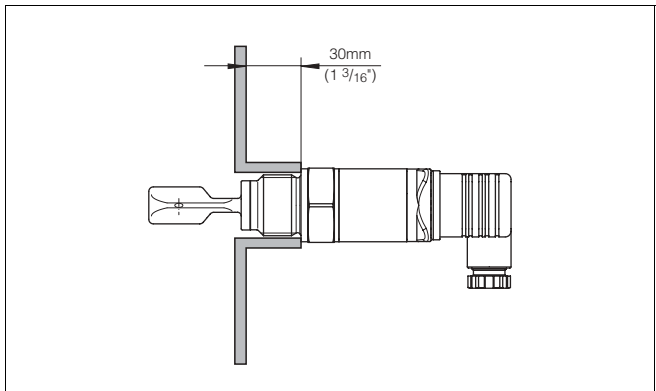


Fig. 6: Adhesive products

Inflowing medium

If OPTISWITCH 4000 C is mounted in the filling stream, unwanted switching signals may be generated. Mount OPTISWITCH 4000 C at a location in the vessel where no disturbing influence from e.g. filling openings, agitators etc. can occur.

Flows

To minimise flow resistance caused by the tuning fork, OPTISWITCH 4000 C should be mounted in such a way that the surfaces of the blades are parallel to the product movement.

5 Connecting to voltage supply

5.1 Preparing the connection

Note safety instructions

Generally not the following safety instructions:

- Connect only in the complete absence of line voltage

Selecting the connection cable

OPTISWITCH 4000 C is connected with standard cable with round cross section. Depending on the plug connection, you have to select the outer diameter of the cable respectively so that the seal effect of the cable gland is ensured.

- Valve plug DIN 43650, \varnothing 4.5 ... 7 mm
- Valve plug IDC method of termination DIN 43650, \varnothing 5.5 ... 8.0 mm

Cable glands

Use cable with a round wire cross section and tighten the cable gland.

When mounting outdoors, on cooled vessels or in humid areas, in which cleaning is carried out e.g. with steam or high pressure, it is particularly important to seal the cable gland.

5.2 Wiring plan

Housing overview

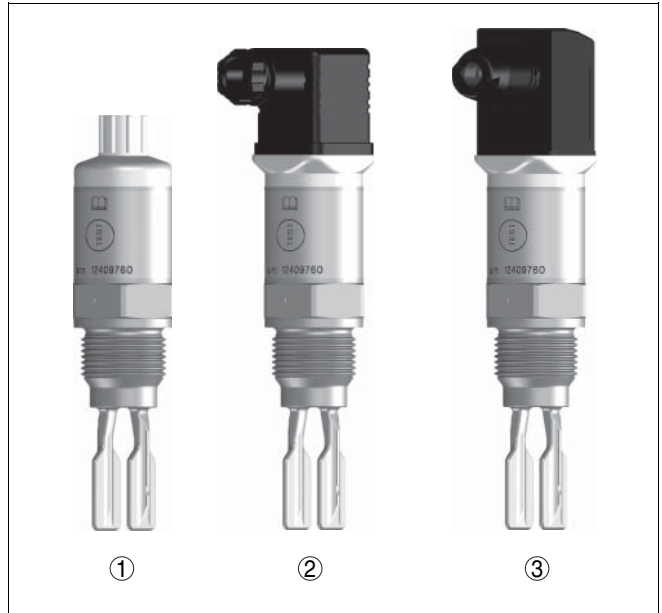


Fig. 7: Overview of the connection versions

- 1 M12x1 plug connection
- 2 Valve plug DIN 43650
- 3 Valve plug DIN 43650 with IDC method of termination

Plug versions

M12x1 plug connection

This plug connection requires a preconfigured cable with plug. Protection IP 66/IP 67.

Valve plug DIN 43650

For this plug version, standard cable with round wire cross-section can be used. Cable diameter 4.5 ... 7 mm, protection IP 65.

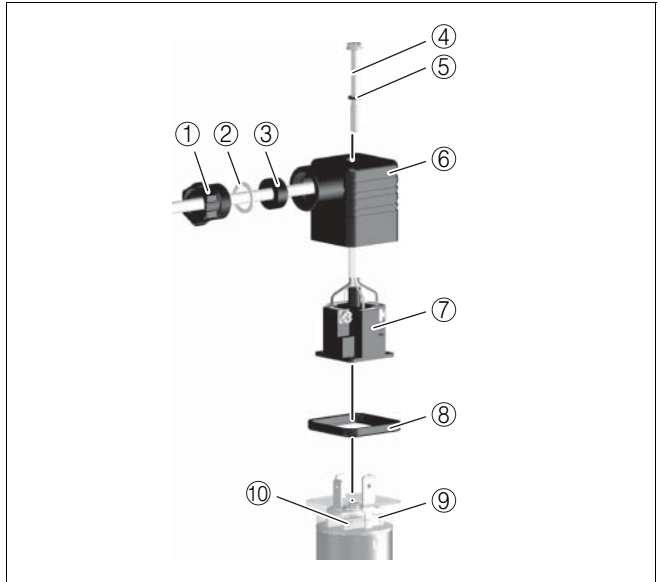


Fig. 8: Connection, valve plug DIN 43650

- 1 Pressure screw
- 2 Pressure disk
- 3 Seal ring
- 4 Fixing screw
- 5 Seal washer
- 6 Plug housing
- 7 Plug insert
- 8 Profile seal
- 9 Control lamp
- 10 OPTISWITCH 4000 C

Valve plug - DIN 43650 - IDC method of termination

For this plug version you can use standard cable with round wire cross-section. The inner cables must not be dismantled. The plug connects the cables automatically when screwing them in. Cable diameter 5.5 ... 8.0 mm, protection IP 67.

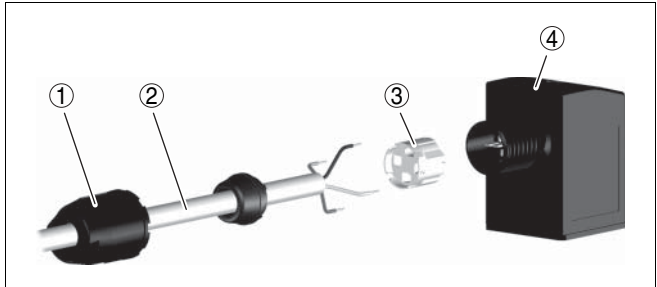


Fig. 9: Connection, valve plug - DIN 43650 - IDC method of termination

- 1 Compression nut
- 2 Cable
- 3 Split taper socket
- 4 Seal insert
- 5 Strand
- 6 Plug housing

Transistor output

For connection to binary inputs of a PLC with an input resistance <math><100\text{ k}\Omega</math>.

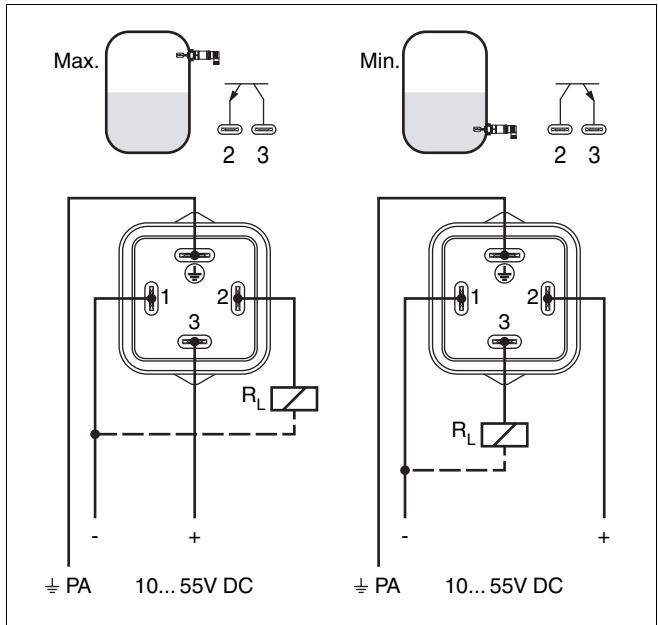


Fig. 10: Wiring plan - Transistor output with valve plug DIN 43650

- PA Potential equalisation
- RL Load resistor (contactor, relay etc.)

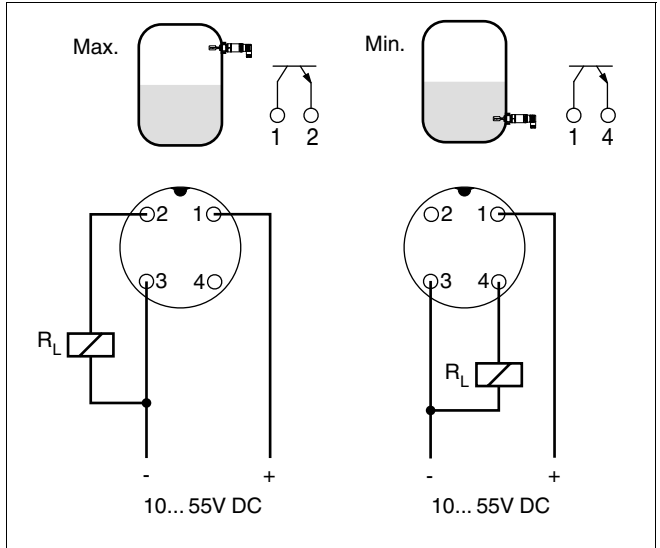


Fig. 11: Wiring plan (housing) - Transistor output with M12x1 plug connection

- 1 Brown
- 2 White
- 3 Blue
- 4 Black
- R_L Load resistor (contactor, relay etc.)

6 Set up

6.1 Indication of the switching status

The switching status of the electronics can be checked on the upper part of the housing.

6.2 Function test

OPTISWITCH 4000 C has an integrated test switch which can be activated magnetically. Proceed as follows to test the instrument:

- Hold the test magnet (accessory) to the magnet symbol on the instrument housing

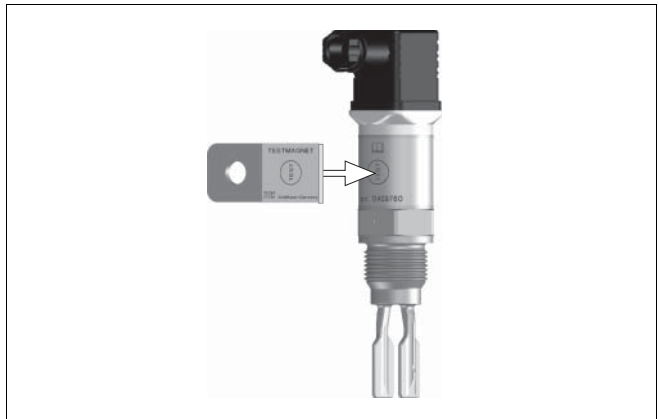


Fig. 12: Function test

The test magnet changes the current switching condition of the instrument. You can check the change on the signal lamp. Please note that the connected instruments are activated during the test.

If OPTISWITCH 4000 C does not switch over after several tests with the test magnet, you have to check the plug connection and the connection cable and test the instrument again. If there is no switching function, the electronics will be defective. In this case you have to exchange the electronics or return the instrument to our repair department.





Caution:



It is absolutely necessary that you remove the test magnet after the test from the instrument housing.

6.3 Function chart

The following chart provides an overview of the switching conditions depending on the adjusted mode and level.

	Level	Switching status	Control lamp
Mode max.		transistor conducts	Green
Mode max.		transistor blocks	red
Mode min.		transistor conducts	Green
Mode min.		transistor blocks	red
Failure	any	transistor blocks	flashes red

7 Maintenance and fault rectification

7.1 Maintenance

When used as directed in normal operation, OPTISWITCH 4000 C is completely maintenance free.

7.2 Rectify faults

Causes of malfunction

OPTISWITCH 4000 C offers maximum reliability. Nevertheless faults can occur during operation. These may be caused by the following, e.g.:

- Sensor
- Process
- Power supply
- Signal processing

Fault rectification

The first measure to be taken is to check the output signal. In many cases, the causes can be determined this way and the faults rectified.

Checking the switching signal

? Control lamps off

- Voltage supply interrupted.
 - Check the voltage supply and the cable connection
 - Exchange the electronics module

? Signal lamp flashes red

- There was no load connected when connecting to power supply
 - Connect the instrument correctly
 - Check if the tuning fork is damage or extremely corroded
- Frequency error
 - Adjust the instrument correctly

? The signal lamp flashes alternately red and green

- Shortcircuit or overload
 - Check the electrical connection

7.3 Exchange the electronics

To exchange the electronics in case of failure, it is not necessary to dismount the instrument.

Dismounting the electronics module can destroy the housing seal. Therefore only open the instrument if you want to insert a new electronics module. The housing seal is supplied with the electronics module.

You require an electronics module type SWE50T or SWE50C. If you want to use an electronics module with another signal output (e.g. contactless electronic switch SWE50C), you can download the suitable operating instructions manual from our homepage under Downloads. Take note of the specifications in the respective operating instructions manual.

To exchange the electronics module, proceed as follows:

- 1 Separate OPTISWITCH 4000 C from operating voltage
 - 2 Loosen screw (1) of the valve plug (2) with a wrench (loosen M12x1 plug connection by turning the compression nut)
 - 3 Remove valve plug (2) or M12x1 acc. to drawing
 - 4 Remove lateral fixing screw (7) with a crosstip screwdriver
 - 5 Pull electronics module (4) carefully out of the housing (8)
 - 6 Remove the plug of the connection cable (6) from the socket on the oscillator (4)
 - 7 Set the 16-step rotating switch (5) of the new replacement electronics module (4) to the value of the defective electronics module
 - 8 Insert the connection cable (6) in the socket of the new electronics module (4)
 - 9 Insert electronics module (4) into the housing (8). Make sure that the lateral thread on the electronics module is above the hole on the housing (8)
 - 10 Push the electronics module (4) flush into the housing (8)
 - 11 Screw in the lateral fixing screw (7) with a crosstip screwdriver
 - 12 Plug the valve plug (2) to the instrument, make sure that the profile seal (3) is placed correctly
 - 13 Tighten the screw (1) with a wrench (fasten M12x1 plug connection by screwing the compression nut)
- OPTISWITCH 4000 C is again ready for operation.

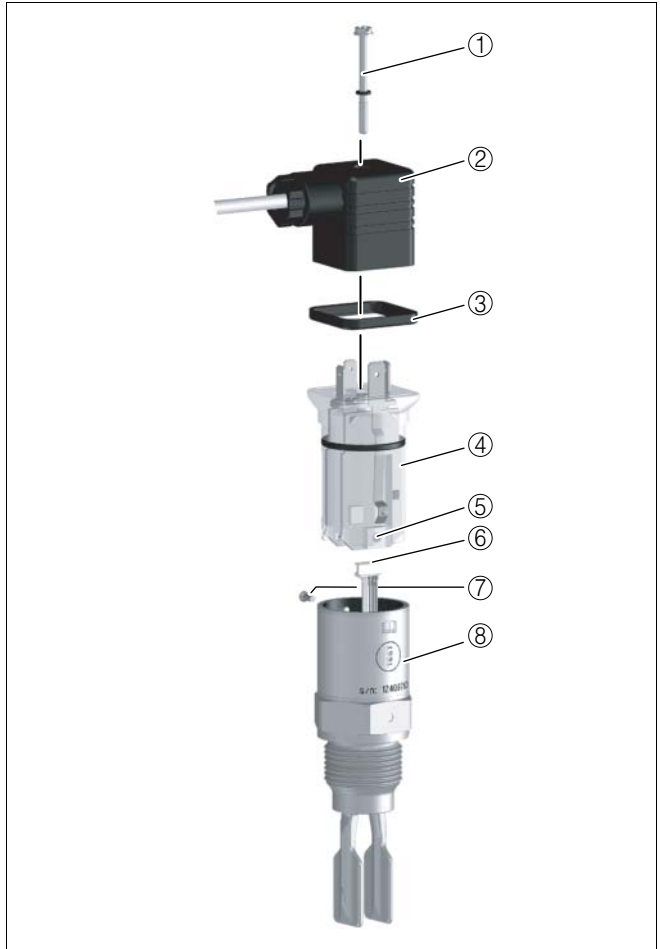


Fig. 13: Exchange the electronics

- 1 Fixing screw
- 2 Valve plug DIN 43650
- 3 Profile seal
- 4 Electronics module
- 5 Rotary switch (16-steps)
- 6 Plug connector
- 7 Fixing screw
- 8 Housing

7.4 Instrument repair

If a repair is necessary, please proceed as follows:

You can download a return form from our website <http://www.krohne-mar.com/fileadmin/media-lounge/PDF-Download/>

Specimen_e.pdf.

By doing this you help us carry out the repair quickly and without having to call back for needed information.

- Print and fill out one form per instrument
- Clean the instrument and pack it damage-proof
- Attach the completed form and possibly also a safety data sheet to the instrument

8 Dismounting

8.1 Dismounting procedure

**Warning:**

Before dismounting, be aware of dangerous process conditions such as e.g. pressure in the vessel, high temperatures, corrosive or toxic products etc.

Take note of chapters "*Mounting*" and "*Connecting to power supply*" and carry out the listed steps in reverse order.

8.2 Disposal

The instrument consists of materials which can be recycled by specialised recycling companies. We use recyclable materials and have designed the electronic modules to be easily separable.

WEEE directive 2002/96/EG

This instrument is not subject to the WEEE directive 2002/96/EG and the respective national laws (in Germany, e.g. ElektroG). Pass the instrument directly on to a specialised recycling company and do not use the municipal collecting points. These may be used only for privately used products according to the WEEE directive.

Correct disposal avoids negative effects to persons and environment and ensures recycling of useful raw materials.

Materials: see "*Technical data*"

If you cannot dispose of the instrument properly, please contact us about disposal methods or return.

9 Supplement

9.1 Technical data

General data

Material 316L corresponds to 1.4404 or 1.4435

Materials, wetted parts

- Tuning fork 316L
- Process seal Klingersil C-4400
- Process fittings 316L

Materials, non-wetted parts

- Housing 316L and plastic PEI

Weight

approx. 250 g (ca. 9 oz)

Process fittings

- Thread G $\frac{3}{4}$ A, G1 A, $\frac{3}{4}$ NPT or 1 NPT
- hygienic fittings Tri-Clamp 1", Tri-Clamp 1 $\frac{1}{2}$ ", bolting DN 25 PN 40, bolting DN 40 PN 40, SMS

Surface quality

- Standard $R_a < 3.2 \mu\text{m}$ ($1.26 \cdot 10^{-4}$ in)
- hygienic version $R_a < 0.8 \mu\text{m}$ ($3.15 \cdot 10^{-5}$ in)

Measuring accuracy

- Hysteresis approx. 2 mm (0.08 in) with vertical installation
- Integration time approx. 500 ms
- Frequency approx. 1200 Hz

Ambient conditions

- Ambient temperature on the housing -40 ... +70 °C (-40 ... +158 °F)
- Storage and transport temperature -40 ... +80 °C (-40 ... +176 °F)

Process conditions

- Process pressure -1 ... 64 bar (-14.5 ... 938 psi)
- Process temperature - Standard -40 ... +100 °C (-40 ... +212 °F)
- Process temperature - High temperature version (option) -40 ... +150 °C (-40 ... +302 °F)
- Temperature shock no limitation
- Viscosity - dynamic 0.1 ... 10000 mPa s
- Density 0.7 ... 2.5 g/cm 3 (0.025 ... 0.9 oz/in 3)

Operation

Plug connections	Specification see " <i>Connecting to power supply</i> "
Signal lamp (LED)	
– Green	Output conductive
– red	Output blocked
– Red (flashing)	Failure - Output blocked

Output variable

Output	Transistor output PNP
Load current	max. 250 mA (output - overload and permanently shortcircuit proof)
Voltage loss	max. 1 V
Turn-on voltage	max. 55 V DC
Blocking current	<10 μ A
Mode	
– min./max.	Changeover by electronic connection
– max.	Overfill protection
– min.	Dry run protection

Voltage supply

Supply voltage	10 ... 55 V DC
Power consumption	max. 0.5 W

Electromechanical data

Valve plug DIN 43650	
– wire cross section	1.5 mm ² (0.06 in ²)
– Cable outer diameter	4.5 ... 7.0 mm (0.18 ... 0.28 in)
Valve plug DIN 43650 - IDC method of termination	
– wire cross section	for wire cross-section of 0.5 ... 1.0 mm ² (0.02 ... 0.04 in ²)
– Single wire diameter	>0.1 mm (>0.004 in)
– Wire diameter	1.6 ... 2.0 mm ² (0.06 ... 0.08 in ²)
– Cable outer diameter	5.5 ... 8.0 mm (0.22 ... 0.31 in)
– Connection frequency	10 x (to the same cross-section)

Electrical protective measures

Protection

- | | |
|--|-------------|
| – Valve plug (DIN 43650) | IP 65 |
| – Valve plug IDC method of termination (DIN 43650) | IP 67 |
| – M12x1 plug connection | IP 66/IP 67 |

Overvoltage category	III
----------------------	-----

Protection class	II
------------------	----

Approvals

Overfill protection acc. to WHG

9.2 Dimensions

OPTISWITCH 4000 C, standard version

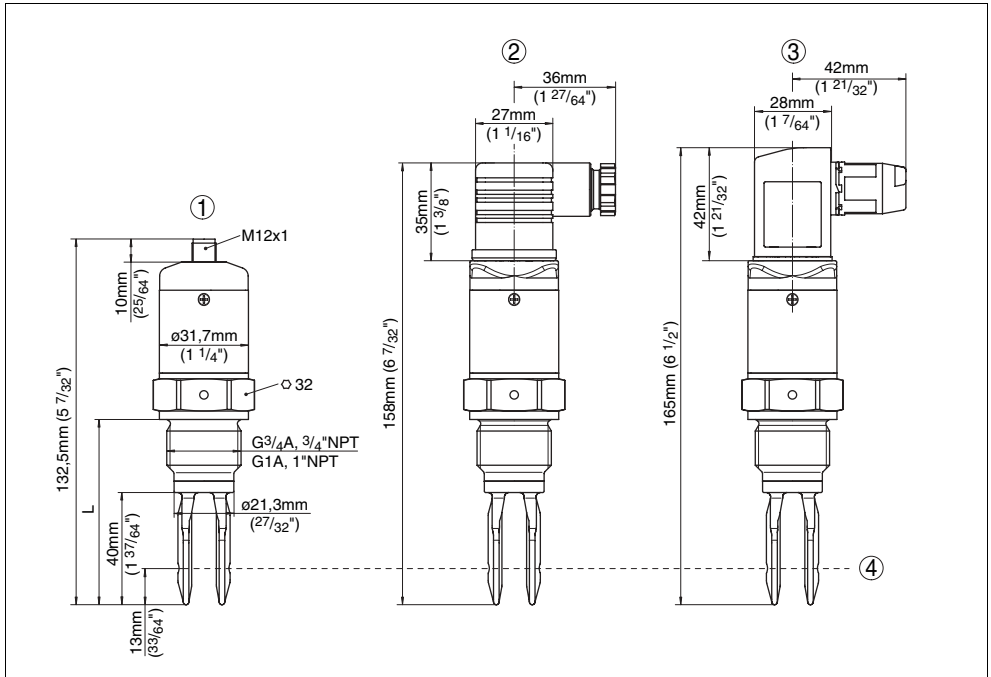


Fig. 14: OPTISWITCH 4000 C, standard version

- 1 Thread G $\frac{3}{4}$ A, G1 A, $\frac{3}{4}$ NPT or 1 NPT (M12x1)¹⁾
 - 2 Thread G $\frac{3}{4}$ A, G1 A, $\frac{3}{4}$ NPT or 1 NPT (valve plug DIN 43650)
 - 3 Thread G $\frac{3}{4}$ A, G1 A, $\frac{3}{4}$ NPT or 1 NPT (valve plug DIN 43650 with IDC method of termination)
 - 4 Switching point
- L Length with G $\frac{3}{4}$ A, $\frac{3}{4}$ NPT: 66 mm (2.6 in)
 L Length with G1 A, 1 NPT: 69 mm (2.7 in)
 L Length with switching point = L + 48 mm (1.9 in)

¹⁾ Keep in mind that the total length is extended by the plug connection.

OPTISWITCH 4000 C, high temperature version

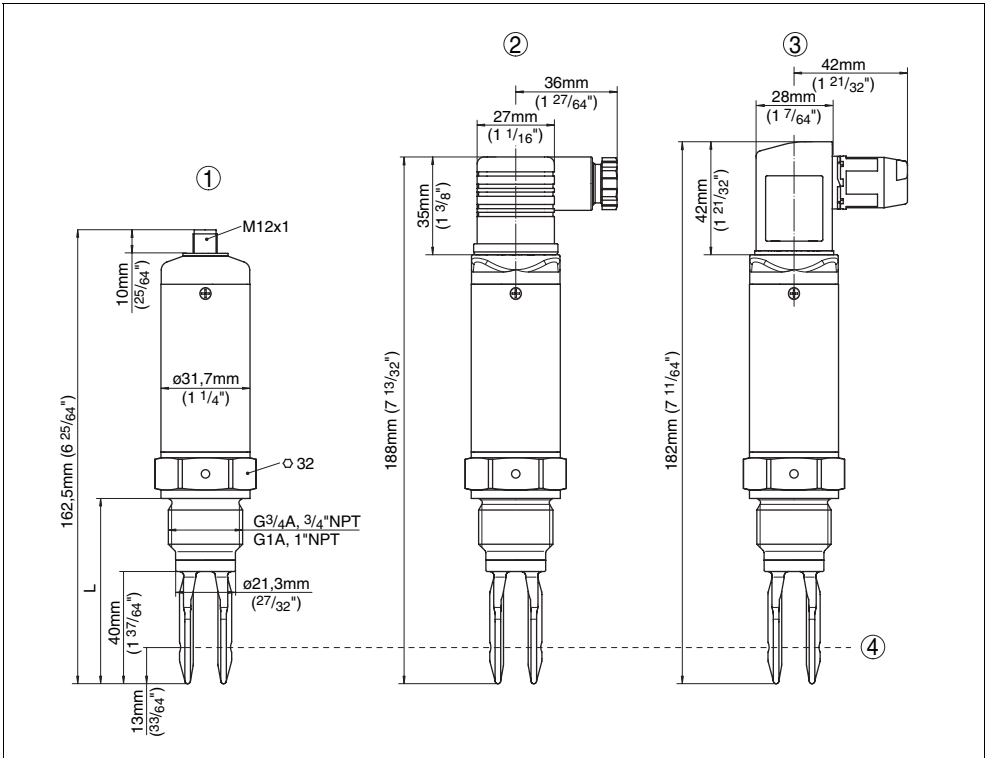


Fig. 15: OPTISWITCH 4000 C, high temperature version

- 1 Thread G3/4 A, G1 A, 3/4 NPT or 1 NPT (M12x1)²⁾
- 2 Thread G3/4 A, G1 A, 3/4 NPT or 1 NPT (valve plug DIN 43650)
- 3 Thread G3/4 A, NPT or 1 NPT (valve plug DIN 43650 with with IDC method of termination)
- 4 Switching point
- L Length with G3/4 A, 3/4 NPT: 66 mm (2.6 in)
- L Length with G1 A, 1 NPT: 69 mm (2.7 in)
- L Length with switching point = L + 48 mm (1.9 in)

²⁾ Keep in mind that the total length is extended by the plug connection.

Subject to change without notice